



Item#: **84256**

LED STADIUM LIGHT

OUTDOOR POLE/ARM-MOUNTED AREA AND ROADWAY LUMINAIRES • ARCHITECTURAL FLOOD AND SPOT LUMINAIRES

FEATURES

- Elegant and modern appearance
- Housing coated with corrosion resistant polyester powder
- Multi-faceted optic design to distribute light evenly and reduce glare
- Advanced technology, no electrical interference.
- 240° adjustable angle
- Surge protection device

APPLICATION

Arenas, sports fields, plazas, airports, courtyards and public areas.

PERFORMANCE DATA

ELECTRICAL

Wattage	1250W
Voltage	277-480V
Power Factor	0.9
Total Harmonic Distortion (THD)	<15

LIGHTING PERFORMANCE

Lumens	162500
Lumens Per Watt (Lm/W)	130
Color Temperature (CCT)	5000K
Color Rendering (CRI)	70
R9 (Red Value)	--
R13 (Skin Tones)	--
Beam Angle	30°
Light Distribution	Type VS
BUG Rating (Backlight, Uplight, and Glare)	B5 - U3 - G2
Dimmable Lighting Control	<i>Dimmable</i> 0-10V, Range 10% - 100%

ENVIRONMENT

Operating Temperature	-22° ~ 122°F
Suitable Location	WET
Ingress Protection Rating	IP66

LIFESPAN

Average Life (Hours)	50,000
Warranty (Years)	5

COMPONENTS

LED Light Source	Luxeon 5050
Driver	ESD-600S12ADT (2 ea.) External Driver Box

CONSTRUCTION

Housing	Forged Aluminum
Lens	PC
Base / Power Supply	Hard Wired
Finish	Black
Effective Projected Area (EPA)	2.92 ft ²
Wind Shear Rating	116.3 mph

QUALIFICATIONS

Model Number	RSTL-1250-D-EV-50K
--------------	--------------------



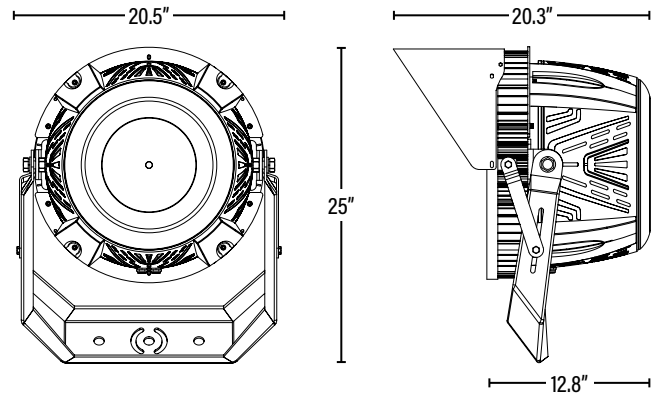
Published lumens on LED products are approximate and may vary slightly. • Specifications are subject to change without notice.

Item#: **84256**
LED STADIUM LIGHT



DIMENSIONS (Inches)

Length	20.3"
Width/Diameter	20.5"
Height	25"
Net Weight (Lbs)	43



SUPPORTING DOCUMENTS (Grey = not available at this time.)

Product Sheet	VIEW
Install Instructions	VIEW
IES Download from Web Item	VIEW
LM79	VIEW
LM80	VIEW

PACKAGING

Master Carton	1
Country of Origin	China
HS Tariff	9405.10.6020

UPC

--

DIMENSIONS (LxWxH)

24.4" x 22.4" x 16.3"

GROSS WEIGHT (Lbs)

55.1

ORDERING * Qualification Model # RSTL-1250-D-EV-50K

ITEM#	DESCRIPTION	CASE
84256	LED 1250W STADIUM/50K/30°/277-480V/DIMMABLE/V2 - SUPERIOR LIFE®	1

ACCESSORIES

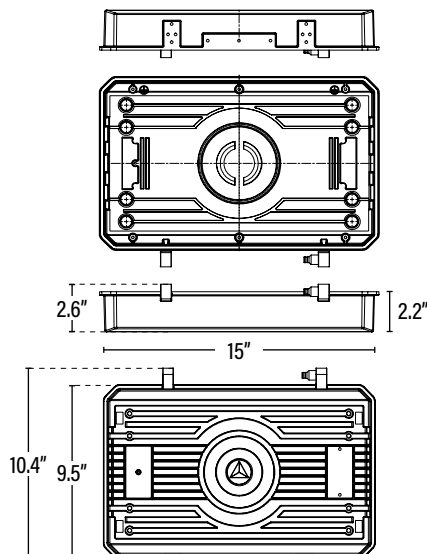
84205	LASER SCOPE KIT FOR LED STADIUM LIGHT - SUPERIOR LIFE®	12
-------	--	----

REPLACEMENT PARTS

ESD-600S12ADT	600W REPLACEMENT LED DRIVER	1
---------------	-----------------------------	---

ADDITIONAL INFORMATION:

Item may be special order; please consult with P.Q.L.
 To minimize voltage loss, driver box should be mounted within 85' of the fixture.
 External Driver Box:



ITEM INFORMATION