



Item#: **84051**

LED STEALTH™ FIXTURE

OUTDOOR POLE/ARM-MOUNTED AREA AND ROADWAY LUMINAIRES - ARCHITECTURAL FLOOD AND SPOT LUMINAIRES

FEATURES

- Engineered for high lumen per watt light output.
- Slim and modern appearance.
- Integrated heat sink, provides excellent thermal dissipation.
- Surge protection device.
- Easy 1 person installation with our quick mount bracket and hinged door frame; installer can be hands free when establishing electrical connections.

APPLICATION

Parking lot, street and building perimeter lighting. Can be used as flood or area light.

ELECTRICAL

Wattage	100W
Voltage	200-480V
Current	--
Power Factor	0.9
Total Harmonic Distortion (THD)	--

LIGHTING PERFORMANCE

Lumens	15000
Lumens Per Watt (LPW)	150
Color Temperature (CCT)	5000K
Color Rendering (CRI)	80
R9 (Red Value)	--
Beam Angle	Type III
Light Distribution	--
BUG Rating (Backlight, Uplight, and Glare)	--
Dimmable Lighting Control	<i>Dimmable</i> 0-10V, Range 10% - 100%

ENVIRONMENT

Operating Temperature	-40° ~ 131°F
Suitable Location	WET
Ingress Protection Rating	IP66

LIFESPAN

Average Life (Hours)	50,000
Warranty (Years)	5

COMPONENTS

LED Light Source	--
Driver	SS-100M-56BH

CONSTRUCTION

Housing	Aluminum
Lens	PC
Base / Power Supply	Hard Wire / Surge Protector
Finish	Bronze
Effective Projected Area (EPA)	0.23 ft ²
Wind Shear Rating	116.8 mph

QUALIFICATIONS

Model Number	STL3P-100W-5000K-B-MB-HC-P
--------------	----------------------------



Published lumens on LED products are approximate and may vary slightly. - Specifications are subject to change without notice.

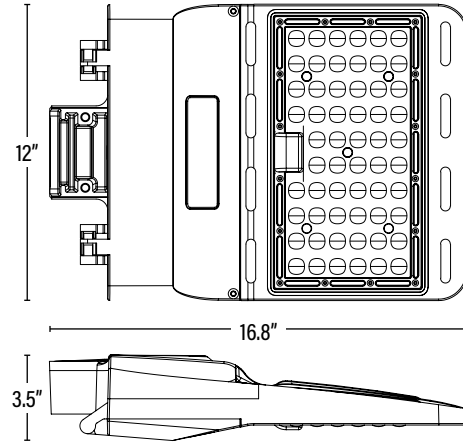
PERFORMANCE DATA

Item#: **84051**
LED STEALTH™ FIXTURE



DIMENSIONS (Inches)	
Length	16.8"
Width	12"
Height	3.5"
Net Weight (Lbs)	--

SUPPORTING DOCUMENTS (Grey = not available at this time.)	
Product Sheet	VIEW
Install Instructions	VIEW
IES Download from Web Item	VIEW
LM79	VIEW
LM80	VIEW



PACKAGING	UPC	DIMENSIONS (LxWxH)	GROSS WEIGHT (Lbs)
Master Carton	1	--	--
Country of Origin	China		
HS Tariff	9405.10.6020		

ORDERING* Qualification Model # STL3P-100W-5000K-B-MB-HC-P

ITEM#	DESCRIPTION	CASE
84051	LED STEALTH™ 100W/50K/DIMM/480V/BRZ	1

ACCESSORIES		
83960	QUICK-MOUNT TRUNNION MOUNT BRACKET FOR STEALTH™/BRZ	10
83956	QUICK-MOUNT ADAPTER TO MOUNT ON ROUND OR FLAT POLE FOR STEALTH™/BRZ	10
83955	QUICK-MOUNT SLIP FITTER FOR STEALTH™/BRZ	10
83646	ADAPTER TO MOUNT A SLIP FITTER ON A FLAT POLE OR WALL/BRZ	1
84004	GLARE SHIELD FOR LED STEALTH™ 80W TO 185W	10
84015	DOOR FRAME ONLY FOR LED STEALTH™ WITH SENSOR CUT-OUT/80W-185W/BRZ	36
54893	360° OUTDOOR FIXTURE BI-LEVEL & DAYLIGHT HARVEST PIR SENSOR 26' DIA, UP TO 40' HEIGHT 800W/1200W • 100-480V - SL®	50
RC-100	RC-100 HAND HELD REMOTE FOR CONFIGURING PROGRAMMABLE SENSORS - 54893	1
83964	PHOTO CONTROL FOR LED STEALTH™ V2 FIXTURE/480V	50

REPLACEMENT PARTS		
JL208	SHORTING CAP FOR LED STEALTH™ FIXTURE	1
SS-100M-56BH	LED REPLACEMENT DRIVER	1

ADDITIONAL INFORMATION:

- The mounting bracket is not included with the fixture, it is ordered as a separate item number. For DLC® qualification one of the Quick-Mount brackets must be purchased.
- Product requires top-mounted shorting cap or optional twist-lock photocell installed to operate.

ITEM INFORMATION