



Item#: **83910**
LED SPEC-SELECT™ STEALTH™
CUTOFF WALL PACK
 OUTDOOR NON-CUTOFF AND SEMI-CUTOFF
 WALL-MOUNTED AREA LUMINARIES

FEATURES

Spec-Select™ Stealth™ Cutoff Wall Packs feature adjustable wattage and color temperature for the perfect balance of light in any application.

- Replaces 100-250W traditional HID wall packs
- Durable weather resistant, die casting housing
- UV resistant polycarbonate optical lens
- Light weight
- Easy installation

APPLICATION

Ideal for security, walkways and perimeter lighting.

ELECTRICAL

Wattage	20W / 30W / 45W / 50W
Voltage	120-277V
Current	Max. 0.55A
Power Factor	0.9
Total Harmonic Distortion (THD)	15.7

LIGHTING PERFORMANCE

Lumens	1500-6343
Lumens Per Watt (Lm/W)	127
Color Temperature (CCT)	3000K / 4000K / 5000K
Color Rendering (CRI)	73
R9 (Red Value)	-33
Beam Angle	92°

Light Distribution	45W	Very Short, Type II
	20W / 30W / 50W	Very Short, Type III
BUG Rating (Backlight, Uplight, and Glare)	20W	B1 - UX - G1
	30W / 45W	B1 - U1 - G1
	50W	B1 - U2 - G1

Dimmable Lighting Control



ENVIRONMENT

Operating Temperature	-22° ~ 113°F
Suitable Location	WET
Ingress Protection Rating	IP65

LIFESPAN

Average Life (Hours)	50,000
Warranty (Years)	5

COMPONENTS

LED Light Source	LumiLED 3030
Driver	WP-HLA-050U

CONSTRUCTION

Housing	Die-Cast Aluminum
Lens	PC
Base / Power Supply	Hard Wired
Finish	Bronze

QUALIFICATIONS

Model Number	SPSTLWP-50-[L;H]V-[C;MC;PC;PSC;SC]-TK
--------------	---------------------------------------



Visit www.designlights.org/search to confirm qualification. • Published lumens on LED products are approximate and may vary slightly. • Specifications are subject to change without notice.

PERFORMANCE DATA

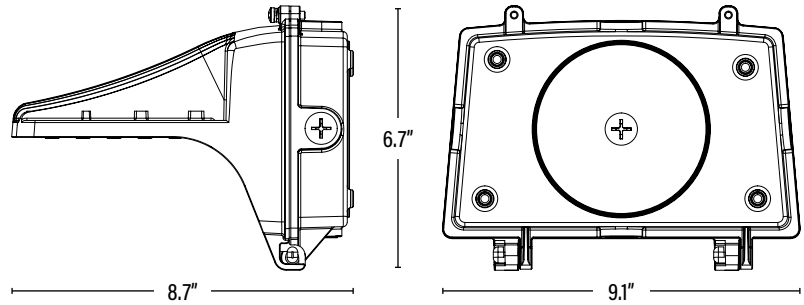
Item#: **83910**
LED SPEC-SELECT™ STEALTH™ CUTOFF WALL PACK



ITEM INFORMATION

DIMENSIONS (Inches)

Length	8.7"
Width	9.1"
Height	6.7"
Net Weight (Lbs)	3.9



SUPPORTING DOCUMENTS (Grey = not available at this time.)

Product Sheet	VIEW
Install Instructions	VIEW
IES Download from Web Item	VIEW
LM79	VIEW
LM80	VIEW

PACKAGING

		UPC	DIMENSIONS (LxWxH)	GROSS WEIGHT (Lbs)
Master Carton	1	811768021233	10.2" x 7.9" x 10.4"	5
Country of Origin	China			
HS Tariff	9405.10.6020			

ORDERING Qualification Model # SPSTLWP-50-[L;H]V-[C;MC;PC;PSC;SC]-TK

ITEM#	DESCRIPTION	CASE
83910	LED SPEC-SELECT™ STEALTH™ FULL CUTOFF WALL PACK 20W/30W/45W/50W - 30K/40K/50K/120-277V/BRONZE - SL® DLC®	1

ACCESSORIES

83336*	BUTTON STYLE PHOTO CELL FOR LED WALL PACK/120-277V - SUPERIOR LIFE®	70
83895*	EM BATTERY FOR LED STEALTH™ FULL CUTOFF WALL PACK 4W/90 MIN/120-277V - SUPERIOR LIFE®	50

REPLACEMENT PARTS

WP-HLA-050U	50W REPLACEMENT DRIVER	1
-------------	------------------------	---

ADDITIONAL INFORMATION:

* 83336 and 83895 (4W EM Battery) cannot be used together; one accessory prevents the other from fitting in the fixture.

Note: To prevent water damage which may shorten the life of an exterior mounted fixture; the fixture should be properly weather sealed according to the installation instructions or between the fixture base and mounting surface. Damage due to improper installation may void the warranty.