



Item#: **83689**  
**LED MINI WALL PACK**  
 OUTDOOR NON-CUTOFF AND SEMI-CUTOFF  
 WALL-MOUNTED AREA LUMINAIRES

**FEATURES**

- Easy installation
- Replaces 50W HID
- Sealed housing for outdoor applications
- Polycarbonate optical lens

**APPLICATION**

Ideal for security, pathway and perimeter lighting, building entry ways and walkways.

PERFORMANCE DATA

**ELECTRICAL**

Wattage	23W
Voltage	120-277V
Current	0.23A
Power Factor	0.9
Total Harmonic Distortion (THD)	13.2

**LIGHTING PERFORMANCE**

Lumens	3174
Lumens Per Watt (Lm/W)	136
Color Temperature (CCT)	4000K
Color Rendering (CRI)	73
R9 (Red Value)	-34
R13 (Skin Tones)	--
Beam Angle	90°
Light Distribution	Very Short, Type IV
BUG Rating (Backlight, Uplight, and Glare)	B1 - U3 - G2
Dimmable Lighting Control	<i>Dimmable</i> 0-10V, Range 10% - 100%

**ENVIRONMENT**

Operating Temperature	-22° ~ 113°F
Suitable Location	<b>WET</b>
Ingress Protection Rating	IP65

**LIFESPAN**

Average Life (Hours)	50,000
Warranty (Years)	<b>5</b>

**COMPONENTS**

LED Light Source	Luxeon 3030 2D
Driver	WP-HLA-030U

**CONSTRUCTION**

Housing	Aluminum Alloy / PC
Lens	Clear
Base / Power Supply	Hard Wired
Finish	Black

**QUALIFICATIONS**

Model Number	MWP-25-[D,P]-40K
--------------	------------------



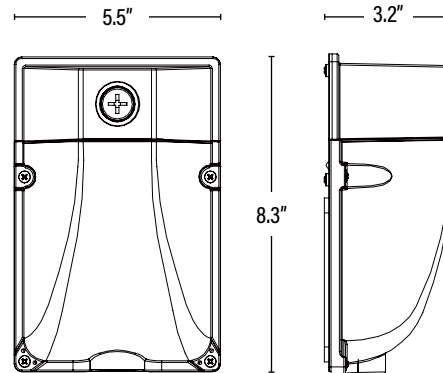
Visit [www.designlights.org/search](http://www.designlights.org/search) to confirm qualification. • Published lumens on LED products are approximate and may vary slightly. • Specifications are subject to change without notice.

Item#: **83689**  
**LED MINI WALL PACK**



**DIMENSIONS** (Inches)

Length	8.3"
Width	5.5"
Height	3.2"
Net Weight (Lbs)	--



**SUPPORTING DOCUMENTS** (Grey = not available at this time.)

Product Sheet	VIEW
Install Instructions	VIEW
IES Download from Web Item	VIEW
LM79	VIEW
LM80	VIEW

**PACKAGING**

		UPC	DIMENSIONS (LxWxH)	GROSS WEIGHT (Lbs)
Master Carton	8	811768020281	5.6" x 3.9" x 8.5"	16.3
Individual Box	1	10811768020288	--	2
Country of Origin	China			
HS Tariff	--			

**ORDERING** Qualification Model # MWP-25-[D,P]-40K

ITEM#	DESCRIPTION	CASE
83689	LED MINI WALL PACK 25W/40K/CLEAR/BLACK/120-277V/DIMMABLE - SUPERIOR LIFE® DLC®	8

**REPLACEMENT PARTS**

WP-HLA-030U	REPLACEMENT DRIVER FOR MINI WALL PACK	1
-------------	---------------------------------------	---

**ADDITIONAL INFORMATION:**

Family Item(s): 83691 with Photo Cell

**Note:** To prevent water damage which may shorten the life of an exterior mounted fixture; the fixture should be properly weather sealed according to the installation instructions or between the fixture base and mounting surface. Damage due to improper installation may void the warranty.

ITEM INFORMATION