



Item#: **83687**
LED MINI WALL PACK
 OUTDOOR NON-CUTOFF AND SEMI-CUTOFF
 WALL-MOUNTED AREA LUMINAIRES

FEATURES

- Easy installation
- Replaces 25W HID
- Sealed housing for outdoor applications
- Polycarbonate optical lens
- With Photo Cell

APPLICATION

Ideal for security, pathway and perimeter lighting, building entry ways and walkways.

PERFORMANCE DATA

ELECTRICAL

Wattage	11.6W
Voltage	120-277V
Current	0.11A
Power Factor	0.9
Total Harmonic Distortion (THD)	4.9

LIGHTING PERFORMANCE

Lumens	1631
Lumens Per Watt (Lm/W)	141
Color Temperature (CCT)	4000K
Color Rendering (CRI)	73
R9 (Red Value)	-17
R13 (Skin Tones)	--
Beam Angle	90°
Light Distribution	Very Short, Type IV
BUG Rating (Backlight, Uplight, and Glare)	B1 - U3 - G1
Dimmable Lighting Control	<i>Dimmable</i> 0-10V, Range 10% - 100%

ENVIRONMENT

Operating Temperature	-22° ~ 113°F
Suitable Location	WET
Ingress Protection Rating	IP65

LIFESPAN

Average Life (Hours)	50,000
Warranty (Years)	5

COMPONENTS

LED Light Source	Luxeon 3030 2D
Driver	WP-HLA-016U

CONSTRUCTION

Housing	Aluminum Alloy / PC
Lens	Clear
Base / Power Supply	Hard Wired
Finish	Black

QUALIFICATIONS

Model Number	MWP-12-[D,P]-40K
--------------	------------------



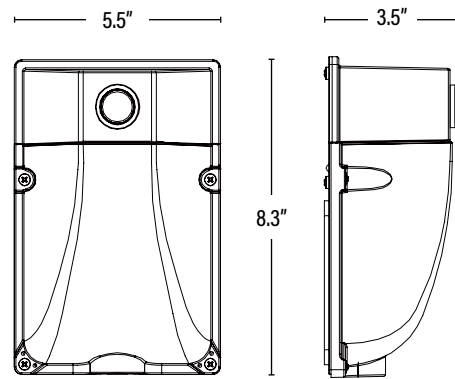
Visit www.designlights.org/search to confirm qualification. • Published lumens on LED products are approximate and may vary slightly. • Specifications are subject to change without notice.

Item#: **83687**
LED MINI WALL PACK



DIMENSIONS (Inches)

Length	8.3"
Width	5.5"
Height	3.5"
Net Weight (Lbs)	--



SUPPORTING DOCUMENTS (Grey = not available at this time.)

Product Sheet	VIEW
Install Instructions	VIEW
IES Download from Web Item	VIEW
LM79	VIEW
LM80	VIEW

PACKAGING

		UPC	DIMENSIONS (LxWxH)	GROSS WEIGHT (Lbs)
Master Carton	8	811768022841	5.6" x 3.9" x 8.5"	14.8
Individual Box	1	10811768022848	--	1.9
Country of Origin	China			
HS Tariff	--			

ORDERING Qualification Model # MWP-12-[D,P]-40K

ITEM#	DESCRIPTION	CASE
83687	LED MINI WALL PACK 12W/40K/CLEAR/BLACK/PHOTO CELL/120-277V/DIMMABLE - SUPERIOR LIFE® DLC®	8

REPLACEMENT PARTS

WP-HLA-016U	REPLACEMENT DRIVER FOR MINI WALL PACK	1
-------------	---------------------------------------	---

ADDITIONAL INFORMATION:

Family Item(s): 83685 without Photo Cell

Note: To prevent water damage which may shorten the life of an exterior mounted fixture; the fixture should be properly weather sealed according to the installation instructions or between the fixture base and mounting surface. Damage due to improper installation may void the warranty.

ITEM INFORMATION