



**SELECTABLE
WATTAGE**

Item#: **83337**

LED WALL PACK

OUTDOOR NON-CUTOFF AND SEMI-CUTOFF
WALL-MOUNTED AREA LUMINARIES

FEATURES

- Selectable wattage, 1 of 4 options
- Durable, die cast housing.
- Powder coat finish, corrosion and weather resistant.
- Sealed to keep out moisture and environmental contaminants.

APPLICATION

Ideal for security, walkways and perimeter lighting.

ELECTRICAL

Wattage	20W / 25W / 40W / 60W
Voltage	120-277V
Current	1100mA
Power Factor	0.9
Total Harmonic Distortion (THD)	20

LIGHTING PERFORMANCE

Lumens	2700-8100
Lumens Per Watt (Lm/W)	135
Color Temperature (CCT)	5000K
Color Rendering (CRI)	70
R9 (Red Value)	-29
Beam Angle	114°
Light Distribution	Type I, Short
BUG Rating (Backlight, Uplight, and Glare)	B3 - U4 - G3
Dimmable Lighting Control	<i>Dimmable</i> 0-10V, Range 10% - 100%

ENVIRONMENT

Operating Temperature	-40° ~ 104°F
Suitable Location	WET
Ingress Protection Rating	IP65

LIFESPAN

Average Life (Hours)	50,000
Warranty (Years)	5

COMPONENTS

LED Light Source	LUXEON 3030 2D
Driver	MSPI-NIS70W21S

CONSTRUCTION

Housing	Aluminum
Lens	Glass
Base / Power Supply	Hard Wired
Finish	Bronze

QUALIFICATIONS



Visit www.designlights.org/search to confirm qualification. • Published lumens on LED products are approximate and may vary slightly. • Specifications are subject to change without notice.

PERFORMANCE DATA

Item#: **83337**
LED WALL PACK

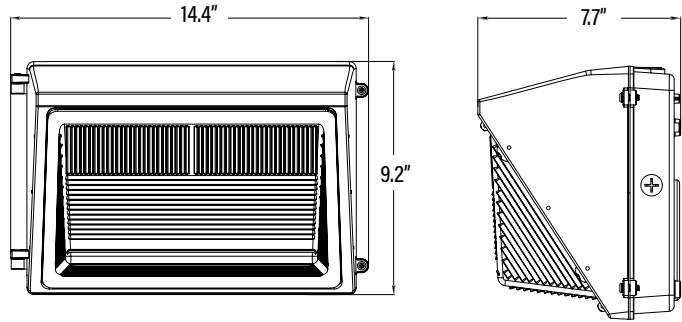


DIMENSIONS (Inches)

Length	14.4"
Width	7.7"
Height	9.2"
Net Weight (Lbs)	--

SUPPORTING DOCUMENTS (Grey = not available at this time.)

Product Sheet	VIEW
Install Instructions	VIEW
IES Download from Web Item	VIEW
LM79	VIEW
LM80	VIEW



PACKAGING

		UPC	DIMENSIONS (LxWxH)	GROSS WEIGHT (Lbs)
Master Carton	1	811768025125	15.4" x 10.6" x 9.4"	--
Country of Origin	China			
HS Tariff	9405.10.6020			

ORDERING

ITEM#	DESCRIPTION	CASE
83337	LED WALL PACK 20/25/40/60W/50K/BRONZE/120-277V - SUPERIOR LIFE® DLC®	1

ACCESSORIES

83335	SHIELD ONLY FOR LED WALL PACK - SUPERIOR LIFE®	1
83336	BUTTON STYLE PHOTO CELL FOR LED WALL PACK/120-277V - SUPERIOR LIFE®	1

REPLACEMENT PARTS

MSPi-NIS70W21S	70W REPLACEMENT DRIVER	1
----------------	------------------------	---

ADDITIONAL INFORMATION:

Note: To prevent water damage which may shorten the life of an exterior mounted fixture; the fixture should be properly weather sealed according to the installation instructions or between the fixture base and mounting surface. Damage due to improper installation may void the warranty.

ITEM INFORMATION