

LED WALL PACK • 83337

INSTALL INSTRUCTIONS



IMPORTANT: READ CAREFULLY BEFORE INSTALLING FIXTURE. RETAIN FOR FUTURE REFERENCE.

- To reduce the risk of death, personal injury or property damage from fire, electric shock, falling parts, cuts/abrasions, and other hazards read all warnings and instructions included with and on the fixture box and all fixture labels.
- Commercial installation, service and maintenance of luminaires should be performed by a qualified licensed electrician.
- If you are unsure about the installation or maintenance of the luminaires, consult a qualified licensed electrician and check your local electrical code.
- To prevent wiring damage or abrasion, do not expose wiring to edges of sheet metal or other sharp objects.
- Do not make or alter any open holes in an enclosure of wiring or electrical components during installation.

WARNING: RISK OF FIRE OR ELECTRICAL SHOCK

- This fixture must be wired in accordance with the NEC electrical code and applicable local codes and ordinances.
- Proper grounding is required to insure personal safety. Carefully observe the correct grounding procedure under installation section.
- Make sure power off before installing or maintaining fixture.
- Check that voltage is compatible with fixture driver, use approved connectors for all electrical connections.

MAINTENANCE CAUTIONS

- Review the diagrams before beginning, and make sure the fixture is grounded properly.
- Turn the power off and wait for fixture to cool before handling.
- This fixture has to be installed or maintained in accordance with the application code by a professional who is familiar with the construction and operation of the product and the hazards involved.

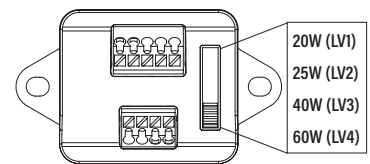
CLEANING

- Before touching fixture, make sure the fixture has cooled.
- Do not clean or maintain while power to the fixture is on.
- Clean lens and fixture with non-abrasive glass cleaning solution.
- Do not disassemble fixture to clean and touch LED chips.

! WARNING DISCONNECT POWER BEFORE INSTALLING OR SERVICING.

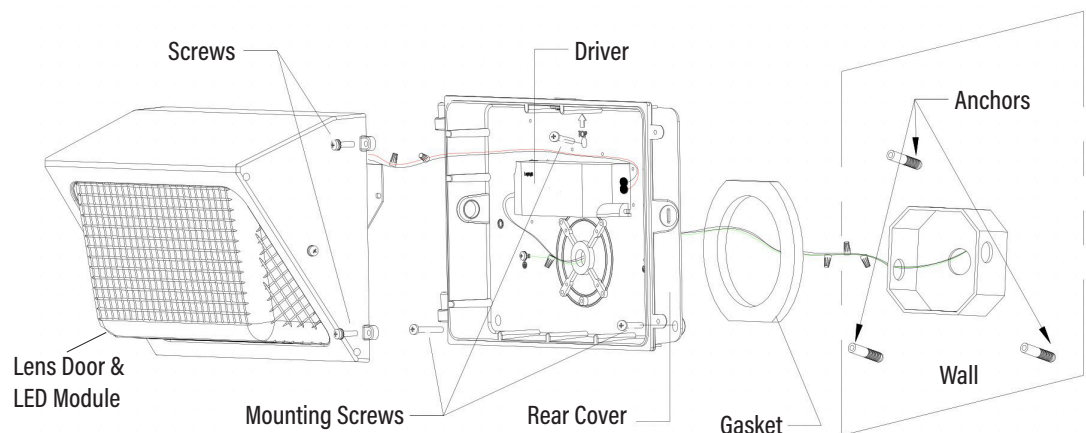
FIELD ADJUSTABLE WATTAGE

The end user may adjust the lumen output (via watts), respectively, by the slide switch situated near the driver. The switch has multiple positions that corresponds to 1 of 4 wattages.



INSTALLATION

1. Open the lens door from the front by removing the two screws located on the right side of the housing.
2. Carefully disconnect the wires between the driver and LED module (Contained in the lens door).
3. Prepare the rear cover for mounting by drilling the appropriate holes.
4. Line up the rear cover in desired location and mount securely. (One gasket provided for a weather-tight seal between the rear cover and junction box.) Pass the wiring through the appropriate hole in the rear cover.
5. Complete wiring to power source and ground (see Wiring Connections for instructions, Page 2).
6. Reconnect the wires between the driver and LED module.
7. Close the door and tighten (2) screws on the door lens. Nothing should be trapped in the gasket sealing area when the door is closed.
8. Apply weatherproof silicone sealant between wall and housing to ensure a weatherproof installation.



LED WALL PACK • 83337

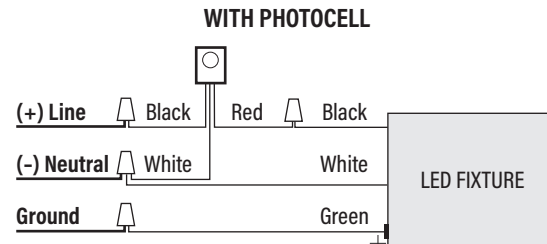
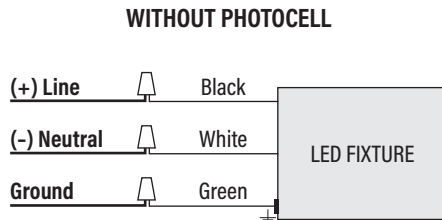
INSTALL INSTRUCTIONS



WIRING CONNECTIONS

Complete the wiring to the power source and ground. Universal voltage driver permits operation at 120 to 277V, 50-60Hz.

1. Connect the black fixture line to the (L) Hot line supply wire.
2. Connect the white fixture line to the (N) Neutral line supply wire.
3. Connect the green fixture line to the (G) Ground line supply wire.

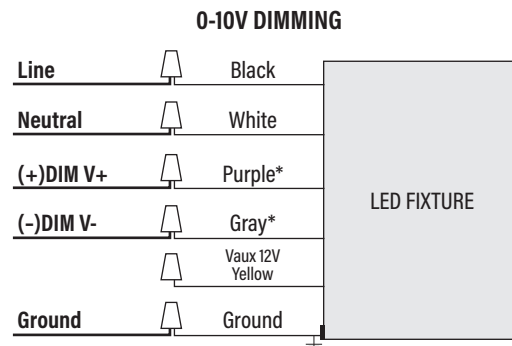


0-10V DIMMABLE WIRING CONNECTIONS

Universal voltage driver permits operation at 120V through 277V, 50-60 Hz. For 0-10V Dimming, follow the wiring directions in the diagram labeled 0-10V Dimming.

1. Connect the black fixture lead to the (+) LINE supply lead.
2. Connect the white fixture lead to the (-) COMMON supply lead.
3. Connect the GROUND wire from fixture to supply ground. Do NOT connect the GROUND of the dimming fixture to the output.
4. Connect the purple fixture lead to the (V+) DIM lead.
5. Connect the gray fixture lead to the (V-) DIM lead.
6. Cap the yellow fixture lead separately, if present. Do NOT connect.

NOTE: Cap 0-10V driver dimmer leads separately if unused. Failure to do so may cause flickering lights, premature failure, and void warranty.



**Note: For non-dimming applications, cap the purple and gray and yellow dimming wires separately. Failure to do so may cause malfunctioning and void warranty.*