



Item#: **83088-A**
LED CANOPY
 PARKING GARAGE LUMINAIRES

FEATURES

- Ultra-thin design.
- Special **AMBER** color is designed to minimize artificial light pollution that disrupts the behavior of wildlife.
- Replaces 100-175W MH.

HOUSING

- One piece sealed die cast housing.
- UV stabilized polycarbonate optical lens.

MOUNTING

- Surface Mount with J-Box.
- Pendant with 3/4" conduit.

APPLICATION

Parking structures and storage areas.

PERFORMANCE DATA

ELECTRICAL

Wattage	40W
Voltage	120-277V
Power Factor	0.9
Total Harmonic Distortion (THD)	20

LIGHTING PERFORMANCE

Lumens	--
Lumens Per Watt (Lm/W)	--
Color Temperature (CCT)	2200K / 585-595nm
Color Rendering (CRI)	--
R9 (Red Value)	--
R13 (Skin Tones)	--
Beam Angle	100° x 60°
Light Distribution	Type VS
BUG Rating (Backlight, Uplight, and Glare)	--
Dimmable Lighting Control	<i>Dimmable</i> 0-10V, Range 10% - 100%

ENVIRONMENT

Operating Temperature	-40° ~ 104°F
Suitable Location	WET
Ingress Protection Rating	IP65

LIFESPAN

Average Life (Hours)	50,000
Warranty (Years)	2

COMPONENTS

LED Light Source	--
Driver	WP-HHA-040U042

CONSTRUCTION

Housing	Aluminum
Lens	PC / Frosted
Base / Power Supply	Hard Wired
Finish	Black

QUALIFICATIONS



Visit www.designlights.org/search to confirm qualification. • Published lumens on LED products are approximate and may vary slightly. • Specifications are subject to change without notice.

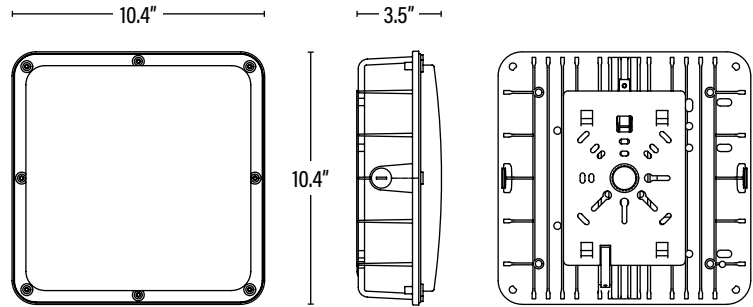
Item#: **83088-A**
LED CANOPY



ITEM INFORMATION

DIMENSIONS (Inches)

Length	10.4"
Width/Diameter	10.4"
Height	3.5"
Net Weight (Lbs)	--



SUPPORTING DOCUMENTS (Grey = not available at this time.)

Product Sheet	VIEW
Install Instructions	VIEW
IES Download from Web Item	VIEW
LM79	VIEW
LM80	VIEW

PACKAGING

		UPC	DIMENSIONS (LxWxH)	GROSS WEIGHT (Lbs)
Master Carton	4	10811768024286	19.3" x 19.3" x 12.2"	7.3
Individual Box	1	811768024289	--	1.8
Country of Origin	China			
HS Tariff	9405.10.6020			

ORDERING

ITEM#	DESCRIPTION	CASE
83088-A	LED CANOPY 40W/AMBER/120-277V/BLACK/DIMMABLE/V2 - SUPERIOR LIFE®	4

ACCESSORIES

54888	360° BI-LEVEL AND DAYLIGHT HARVESTING MICROWAVE SENSOR 26' DIA, 8-40' HEIGHT 800W/1200W • 120/277V - SL®	100
-------	--	-----

REPLACEMENT PARTS

WP-HHA-040U042	REPLACEMENT 40W DIMMABLE LED DRIVER	1
----------------	-------------------------------------	---

ADDITIONAL INFORMATION:

Note: To prevent water damage which may shorten the life of an exterior mounted fixture; the fixture should be properly weather sealed according to the installation instructions or between the fixture base and mounting surface. Damage due to improper installation may void the warranty.