



Item#: **55586**
LED 2X2 SPEC-SELECT™
DESIGNER TROFFER

2X2 LUMINARIES FOR AMBIENT LIGHTING OF INTERIOR COMMERCIAL SPACES

FEATURES

Spec-Select™ Designer Troffers feature adjustable wattage and color temperature for the perfect balance of light in any application.

- Die form cold-rolled steel housing
- Energy efficient
- No flickering
- Designed for T-grid ceilings or chain mounting

APPLICATION

Offices, hospitals, retail stores, schools lobbies and commercial buildings and work areas.

PERFORMANCE DATA

ELECTRICAL

Wattage	27W / 36W
Voltage	120-277V
Power Factor	0.9
Total Harmonic Distortion (THD)	<20

LIGHTING PERFORMANCE

Lumens	3750-4500
Lumens Per Watt (Lm/W)	125
Color Temperature (CCT)	3500K / 4000K / 5000K
Color Rendering (CRI)	83
R9 (Red Value)	12
R13 (Skin Tones)	84 / 85
Beam Angle	100°
Light Distribution	Type VS
BUG Rating (Backlight, Uplight, and Glare)	B2-U1-G1
Dimmable Lighting Control	<i>Dimmable</i> 0-10V, Range 10% - 100%

ENVIRONMENT

Operating Temperature	5 ~ 113°F
Suitable Location	DAMP
Ingress Protection Rating	IP40

LIFESPAN

Average Life (Hours)	50,000
Warranty (Years)	5

COMPONENTS

LED Light Source	Runlite 2835
Driver	BQE45C-0930-40

CONSTRUCTION

Housing	23 Gauge Cold Rolled Steel
Lens	Frosted Acrylic
Base / Power Supply	Hard Wired
Finish	High Gloss Baked White

QUALIFICATIONS



Visit www.designlights.org/search to confirm qualification. • Published lumens on LED products are approximate and may vary slightly. • Specifications are subject to change without notice.

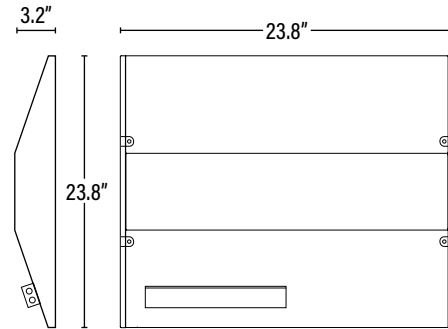
Item#: **55586**
LED 2X2 SPEC-SELECT™ DESIGNER TROFFER



ITEM INFORMATION

DIMENSIONS (Inches)

Length	23.8"
Width	23.8"
Height	3.2"
Net Weight (Lbs)	--



SUPPORTING DOCUMENTS (Grey = not available at this time.)

Product Sheet	VIEW
Install Instructions	VIEW
IES Download from Web Item	VIEW
Photometric	VIEW
LM79	VIEW
LM80	VIEW

PACKAGING

		UPC	DIMENSIONS (LxWxH)	GROSS WEIGHT (Lbs)
Master Carton	1	811768026306	25.4" x 25.2" x 3.9"	9.9
Country of Origin	China			
HS Tariff	--			

ORDERING

ITEM#	DESCRIPTION	CASE
55585	LED 2X2 SPEC-SELECT™ DESIGNER TROFFER - 27/36W/35/40/50K/120-277V/DIMMABLE - SUPERIOR LIFE® DLC®	1

ACCESSORIES

45000	V HOOK FOR HANGING FIXTURE (2 PER SET) - SUPERIOR LIFE®	1
45002	100FT ROLL NO. 12 JACK CHAIN - SUPERIOR LIFE®	Per Foot
55319	EMERGENCY PACK FOR LED FIXTURE 8W/90 MIN/INTEGRATION TYPE - SL® T20C (For use with drivers that are 100W or less.)	6
55320	EMERGENCY PACK FOR LED FIXTURE 16W/90 MIN/INTEGRATION TYPE - SL® T20C (For use with drivers that are 100W or less.)	6
55321	EMERGENCY PACK FOR LED FIXTURE 25W/90 MIN/INTEGRATION TYPE - SL® T20C (For use with drivers that are 100W or less.)	6

REPLACEMENT PARTS

BQE45C-0930-40	37W REPLACEMENT LED DRIVER	1
----------------	----------------------------	---

ADDITIONAL INFORMATION:

- Default settings; 36W, 5000K.
- The color temperature and wattage may be adjusted by two slide switches integrated into the driver. The color temperature and wattage should be selected prior to installation.

