



Item#: **55049**  
**LED 2X2 - 9 CELL PARABOLIC**  
**LED READY FIXTURE**

**FEATURES**

- High efficiency with excellent glare control
- Use 30% less energy than a traditional fluorescent fixture
- Die formed and rigidly fabricated
- Mechanical light trap prevents light leaks
- Door frame; concealed 22 gauge frame with integral hinges, and a spring steel latch
- Four corner tie points for safety wire support; when required
- LED ready with non-shunted sockets
- Pre-wired sockets
- Compatible with traditional ceiling grids

**APPLICATION**

Ideal for larger warehouses, retail applications, commercial buildings and work areas.

**ELECTRICAL**

Lamp Type (not included)	T8/U6
Number of Lamps	2
Voltage	120-277V

**ENVIRONMENT**

Operating Temperature	-4° ~ 122°F
Suitable Location	<b>DAMP</b>
Ingress Protection Rating	IP40

**LIFESPAN**

Warranty (Years)	<b>2</b>
------------------	----------

**CONSTRUCTION**

Housing	24 Gauge Steel
Base / Power Supply	Hard Wired
Parabolic Louver	Anodized Aluminum
Finish	High Gloss Baked White Enamel

**QUALIFICATIONS**

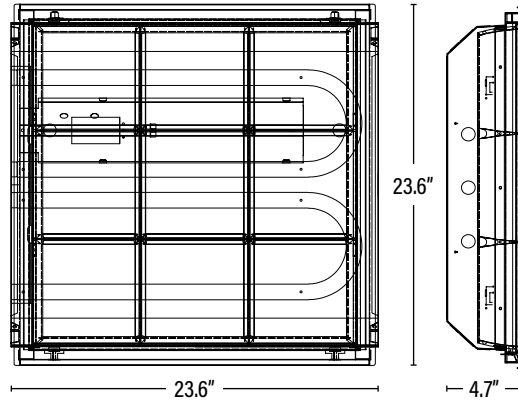


*Operating temperature may vary depending on lamps used. • Specifications are subject to change without notice.*

Item#: **55049**  
**LED 2X2 - 9 CELL PARABOLIC**



<b>DIMENSIONS</b> (Inches)	
Length	23.6"
Width	23.6"
Height	4.7"
Weight (Lbs)	--



<b>SUPPORTING DOCUMENTS</b> (Grey = not available at this time.)	
Product Sheet	VIEW
Install Instructions	VIEW

<b>PACKAGING</b>	<b>UPC</b>	<b>DIMENSIONS</b> (LxWxH)	<b>GROSS WEIGHT</b> (Lbs)
Master Carton	1	811768026511	--
Country of Origin	China		
HS Tariff	--		

<b>ORDERING</b>		
<b>ITEM#</b>	<b>DESCRIPTION</b>	<b>CASE</b>
55049	LED 2X2 9 CELL PARABOLIC 2 T8/U6 - SUPERIOR LIFE®	1

**ADDITIONAL INFORMATION:**

- Pairs with Superior Life® Direct Wire Double-End UL Type B Lamps. Follow specific lamp installation wiring instructions for correct wiring.

ITEM INFORMATION