



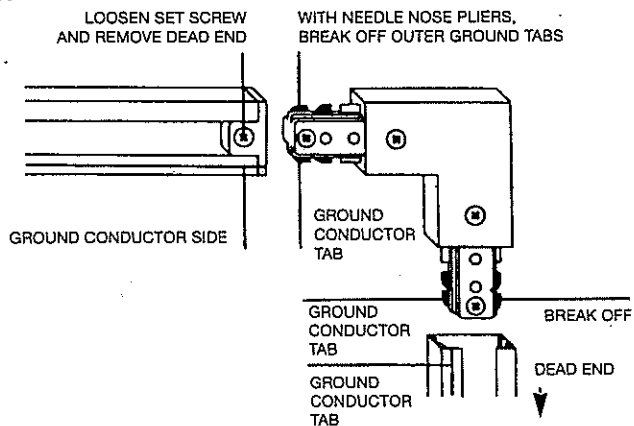
## "L" CONNECTOR

USED TO CONNECT TWO TRACKS AT A RIGHT ANGLE

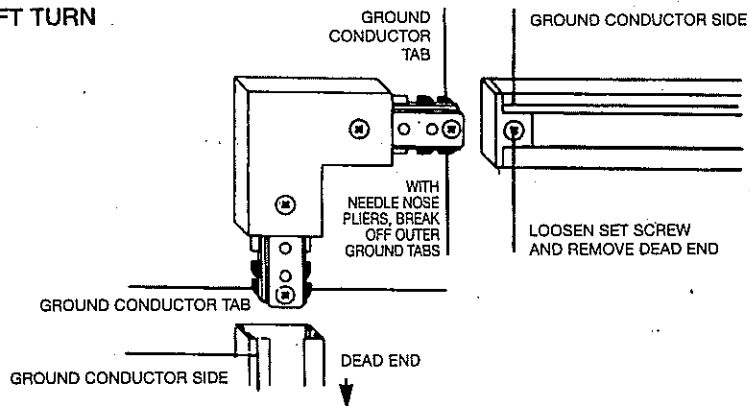
### INSTALLATION INSTRUCTIONS:

CAUTION: BE SURE TO TURN POWER OFF AT THE FUSE BOX .TO MAINTAIN POLARITY, GROUND TABS MUST BE PROPERLY PREPARED BEFORE INSTALLING CONNECTOR. SEE ILLUSTRATION FOR DETAILS.

#### RIGHT TURN



#### LEFT TURN



SATCO PRODUCTS, INC.  
BRENTWOOD, NEW YORK 11717

MADE IN CHINA

