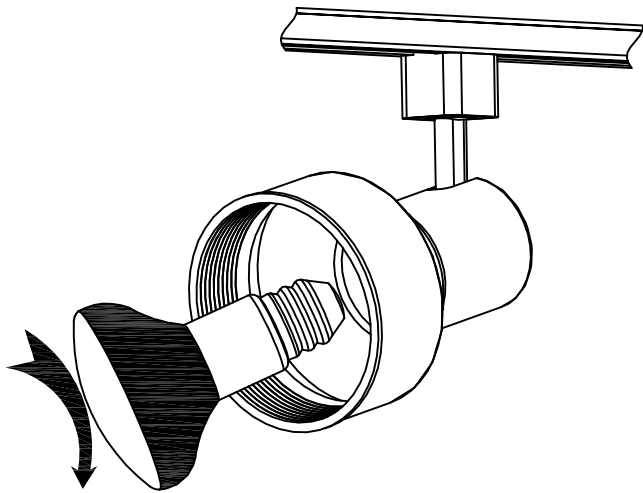
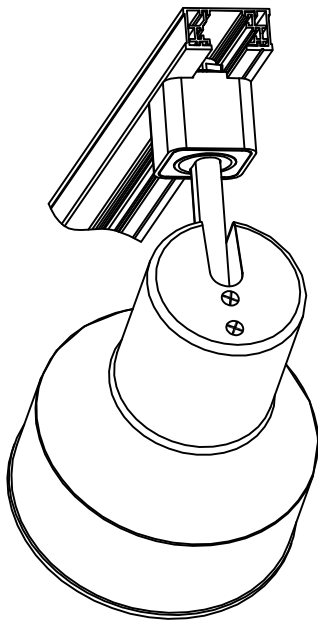
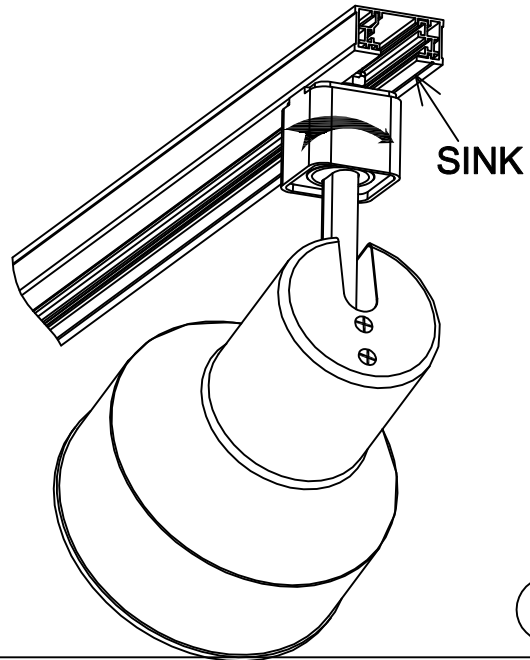
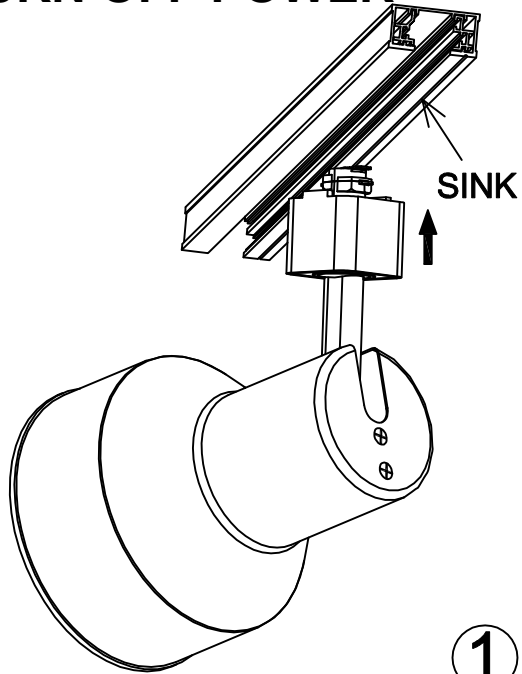


# INSTALLATION INSTRUCTIONS

**TURN OFF POWER**

**NIMO**<sup>®</sup>  
LIGHTING  
A Satco Product



120V AC 60Hz

