

## CAL COMPACT AREA LIGHT

PROJECT:

SCHEDULE:

DATE:

PREPARE BY:

NOTES:

### DESCRIPTION

naturaLED® Compact Area Light is constructed with a durable, die-cast aluminum housing and excellent thermal design and is the perfect lighting solution for your parking lot, street, walkway, building flood up/down light and/or as a sign lighter. It provides uniform, consistent color with a wide range of wattage selections to replace up to 1500W HID fixtures. Our fixtures are DLC Premium certified and IP65 rated with three types of mounting options available: Pole Mount, Slip Fitter, and Yoke Mount. Compatible with photocell sensors, receptacle, and IR motion sensor are available as optional accessories to address your needs.



**Rated Life 50,000 Hours**  
**Warranty 5 Years**

### APPLICATIONS

Parking Lot, Street, Site, Streetscape, Area Lighting

### FEATURES

- DLC Premium
- IP65 Rated
- Select binning for color consistency
- Uniform and consistent color
- Minimize Glare
- Type 3 Light Distribution (Optional purchase available for Type 4, Type 5 Lens)
- Cable Length: 6-ft
- Material: Die Cast Aluminum
- Lens: UV resistant polycarbonate lens
- Input line voltage: 120-277V / 120-347V / 277-480V
- Dimmable: 1-10V (120-277V) / 0-10V (120-347V, 277-480V)
- Power factor: >0.9
- IK Rating: IK09
- Surge Protection: 6KV
- CRI: 80
- ColorTemp: 4000K, 5000K
- Operating temperature: -40°F - 113°F
- Finish: Bronze

### ACCESSORIES

	Mounting Arms		Wall Mount
	Shorting Cap		Receptacle
	Photocell		Sensors
	Grouping/Zoning Sensor Kit		Glare Shield
	Surge Protection		Pole Mountings
	Lens- Type IV / V		

**SAMPLE NUMBER** FXCAL150/840/BZ/3S/480

FAMILY	SERIES	WATTAGE	CRI/COLOR TEMP	COLOR	TYPE	VOLTAGE
FX fixture	CAL compact area light	150 150 watt	840 CRI 80 4000K	BZ bronze	3S type3	480 277-480V



# COMPACT AREA LIGHT

## WALL & AREA LUMINAIRES

### ORDERING

\*P= Premium DLC / \*S = Standard DLC

Watts (W)	Ordering Code	Description	CCT (K)	Lumens (Lm)	Equiv. Wattage (W)	Voltage	Beam Angle	IP65 Rated	DLC (S/P)
100	<b>9492</b>	FXCAL100/840/BZ/3S	4000K	13,873	250-400	120-277	Type3	•	P
100	<b>9493</b>	FXCAL100/850/BZ/3S	5000K	14,100	250-400	120-277	Type3	•	P
150	<b>9494</b>	FXCAL150/840/BZ/3S	4000K	21,000	400-575	120-277	Type3	•	P
150	<b>9495</b>	FXCAL150/850/BZ/3S	5000K	21,150	400-575	120-277	Type3	•	P
240	<b>9496</b>	FXCAL240/840/BZ/3S	4000K	33,600	750-1000	120-277	Type3	•	P
240	<b>9497</b>	FXCAL240/850/BZ/3S	5000K	33,840	750-1000	120-277	Type3	•	P
300	<b>9498</b>	FXCAL300/840/BZ/3S	4000K	42,000	1000-1500	120-277	Type3	•	P
300	<b>9499</b>	FXCAL300/850/BZ/3S	5000K	42,300	1000-1500	120-277	Type3	•	P
150	<b>9528</b>	FXCAL150/840/BZ/3S/480	4000K	21,000	400	277-480	Type3	•	P
150	<b>9529</b>	FXCAL150/850/BZ/3S/480	5000K	21,000	400	277-480	Type3	•	P
300	<b>9518</b>	FXCAL300/840/BZ/3S/480	4000K	42,823	1000	277-480	Type3	•	P
300	<b>9519</b>	FXCAL300/850/BZ/3S/480	5000K	42,000	1000	277-480	Type3	•	P
100	<b>9512</b>	FXCAL100/840/BZ/3S/347	4000K	14,365	250-400	120-347	Type3	•	P
100	<b>9513</b>	FXCAL100/850/BZ/3S/347	5000K	14,365	250-400	120-347	Type3	•	P
150	<b>9514</b>	FXCAL150/840/BZ/3S/347	4000K	22,151	400-575	120-347	Type3	•	P
150	<b>9515</b>	FXCAL150/850/BZ/3S/347	5000K	22,151	400-575	120-347	Type3	•	P
300	<b>9516</b>	FXCAL300/840/BZ/3S/347	4000K	43,952	1000-1500	120-347	Type3	•	P
300	<b>9517</b>	FXCAL300/850/BZ/3S/347	5000K	43,952	1000-1500	120-347	Type3	•	P

### ACCESSORIES (Ordered Separately)



**Slip Fitter**  
P10366 MT-CAL/SF/BZ  
(Slip Fitter Mount for CAL)



**8" Pole Mount Arm**  
P10365 MT-CAL/PM8/BZ  
(8" Pole Mount Arm for CAL)



**Yoke Mount**  
P10367 MT-CAL/YK13/BZ  
(Yoke Mount 13" for CAL)



**Wall Mount**  
K379200 MT-CAL/WM/BZ  
(CAL Wall Mount Kit Bronze  
P10379 MT-CAL/MH/BZ +  
P10200 MT-SAL/WM/BZ)



**Shorting Cap**  
P10053 SEN-PHO-LK-MT-SRT  
(Twist Lock Photocell Shorting Cap  
120-480V 3 Prong)



**Dusk to Dawn Photocell**  
K141030 REC3PLK/PHO  
(Twist Lock Photocell & Receptacle  
120-277V 3 Prong)



**Glare Shield**  
P10405 GSFB-CAL/BZ  
(Requires 1pc for 100/150W,  
Recommend 2 pcs for 240/300W)



**Type IV / V Lens**  
P10398 LENS-CAL-IV  
(Type IV Lens:  
Requires 1pc for 100/150W,  
Requires 2 pcs for 240/300W)

P10399 LENS-CAL-V  
(Type V Lens:  
Requires 1pc for 100/150W,  
Requires 2 pcs for 240/300W)



**Twist Lock Receptacle**  
P10141 REC3PLK  
(Twist Lock Photocell & Receptacle  
Mount 120-480V 3 Prong)



P10142 REC7PLK  
(Twist Lock Photocell & Receptacle  
Mount 120-480V 7 Prong)



**Individual Sensors**  
P10387 SEN-BRI823-B-D  
(PIR Motion/ Photocell 1-10V Bi-Level  
Control Internal 120-277V)



P10371 SEN-BRI619  
(Sensor Motion 0-10V IP66 Internal  
12-24V IR head. **\*Compatible with  
347V & 480V models only.**



P10316 SEN-BRI-RC100  
(Remote Programmer for  
P10315, P10371, P10385)



**Surge Protection**  
P10389 SPD-L-10KV-277  
(Surge Protection 10KV 120-277V)



P10390 SPD-L-20KV-277  
(Surge Protection 20KV 120-277V)



P10391 SPD-L-20KV-480  
(Surge Protection 20KV 347-480V)



**Plate with Grouping/Zoning Sensor Kit**  
P10259 SEN-ON-SRP281  
(Remote Programmer for grouping/zoning)

K368258 PLT/SBZ/CAL/LRD9SWC  
(Small plate with PIR linkable sensor 0-10V  
bi-level control 120-277V for 100W, 150W)

K368370 PLT/SBZ/CAL/BRDSWC  
(Small plate with motion/remote linkable sensor  
0-10V 3X C Lens 120-347V, 277-480V for 100W, 150W)

K369258 PLT/LBZ/CAL/LRD9SWC  
(Large plate with PIR linkable sensor 0-10V  
bi-level control 120-277V for 240W, 300W)

K369370 PLT/LBZ/CAL/BRDSWC  
(Large plate with motion/remote linkable sensor  
0-10V 3X C Lens 120-347V, 277-480V for 240W, 300W)

### POLE BRACKETS (Ordered Separately)



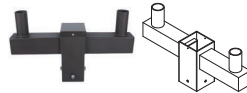
**Round Pole Mount Tenon**  
P10348 MT-3RTV2.5-1/BZ  
(3" Round Pole with 2-3/8" Tenon)

P10349 MT-4RTV2.5-1/BZ  
(4" Round Pole with 2-3/8" Tenon)

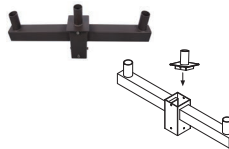
P10350 MT-5RTV2.5-1/BZ  
(5" Round Pole with 2-3/8" Tenon)



**Spoke Mount Bracket - 90°**  
P10359 MT-2.5RTBH2.5-290/BZ  
(Spoke Mount Bracket with Double 2-3/8" -90°)



**Square Pole Mount with Double - 180°**  
P10360 MT-4STV2.5-2180/BZ  
(4" Square Pole Mount with Double 2-3/8" Tenon)



**Square Pole Mount with Triple - 180°**  
P10361 MT-4STV2.5-3180/BZ  
(4" Square Pole Mount with Triple 2-3/8" Tenon)



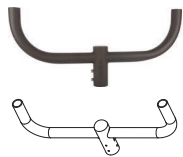
**Square Pole Mount with Quad - 90°**  
P10362 MT-4STV2.5-490/BZ  
(4" Square Pole Mount with Quad 2-3/8" Tenon)



**Square Pole Mount Tenon**  
P10351 MT-3STV2.5-1/BZ  
(3" Square Pole with 2-3/8" Tenon)

P10352 MT-4RTV2.5-1/BZ  
(4" Square Pole with 2-3/8" Tenon)

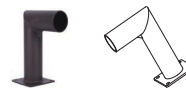
P10353 MT-5RTV2.5-1/BZ  
(5" Square Pole with 2-3/8" Tenon)



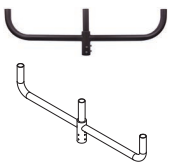
**Bullhorns with Double -180°**  
P10356 MT-2.5RTBV2.5-2180/BZ  
(Bullhorn with Double 2-3/8" Tenon-180°)



**Wall Mount Bracket**  
P10363 MT-4WM2.5-1/BZ  
(Wall Mount Bracket with 2-3/8" Tenon)



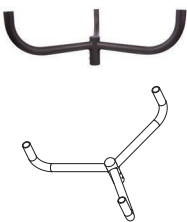
**Angled Mount Bracket - 90°**  
P10364 MT-4WM2.5-190/BZ  
(90° Angled Wall Mount with 2-3/8" Tenon)



**Bullhorns with Triple -180°**  
P10357 MT-2.5RTBV2.5-3180/BZ  
(Bullhorn with Triple 2-3/8" Tenon-180°)



**Light Pole Cap**  
P10354 MT-4STC/BK  
(4" Square Pole Cap)

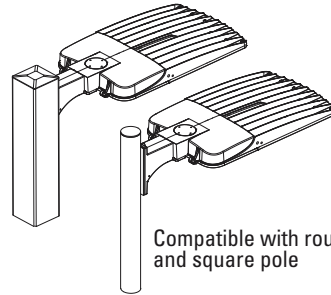


**Bullhorns with Triple -120°**  
P10358 MT-2.5RTBV2.5-3120/BZ  
(Bullhorn with triple 2-3/8" Tenon-120°)

## MOUNTING

### 8" Pole Mount Arm

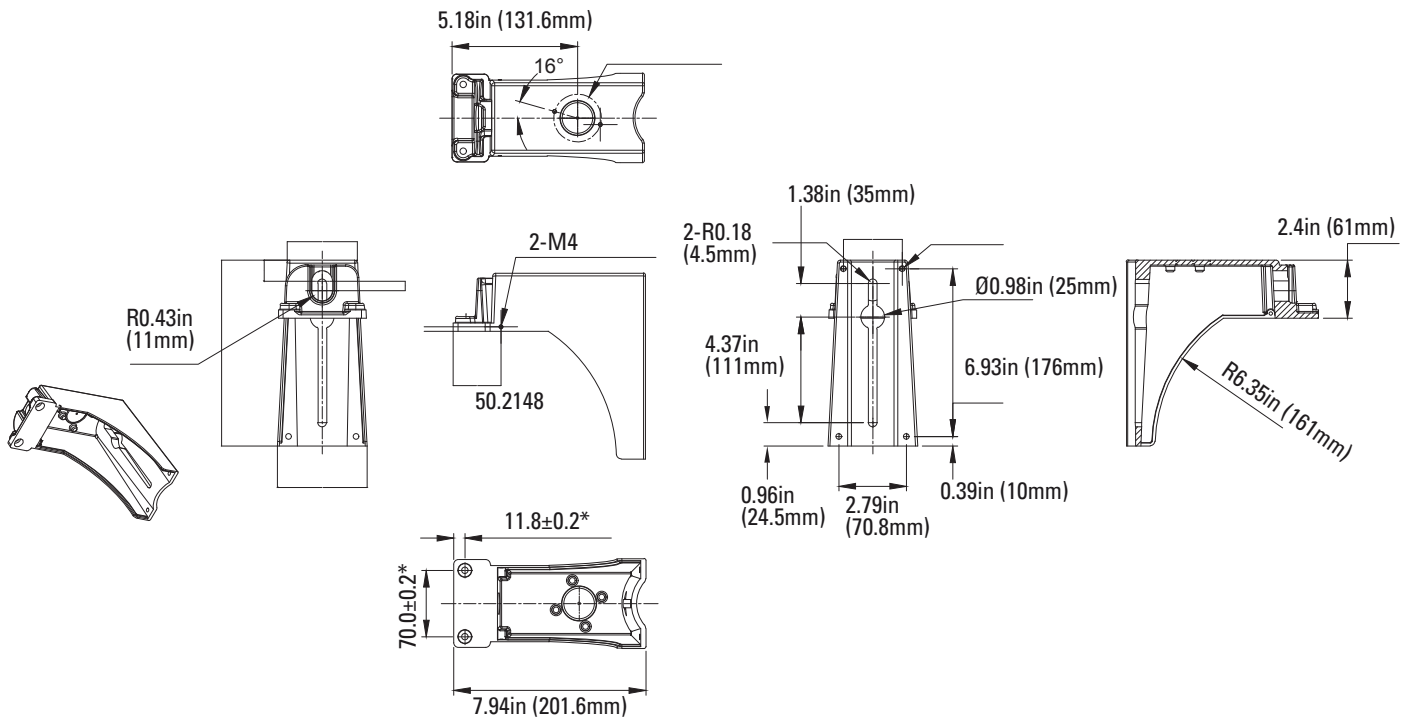
P10365 MT-CAL/PM8/BZ (Bronze)



Compatible with round and square pole



Remove gasket for round pole mounting

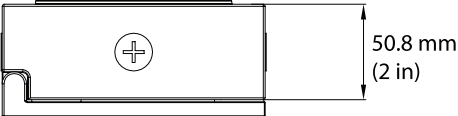
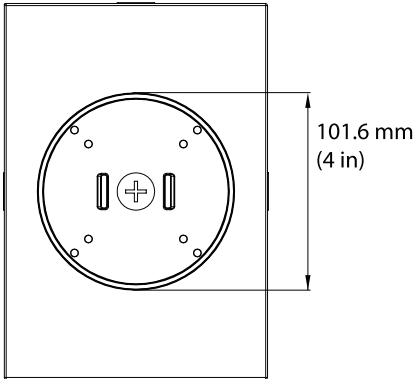
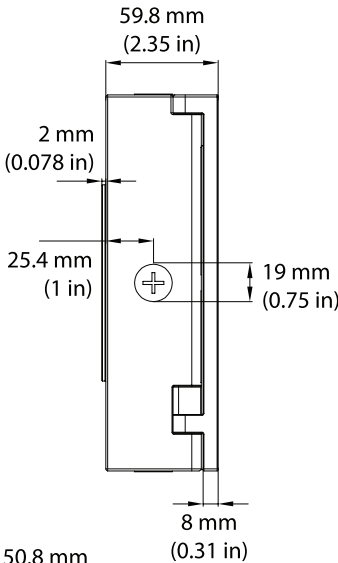
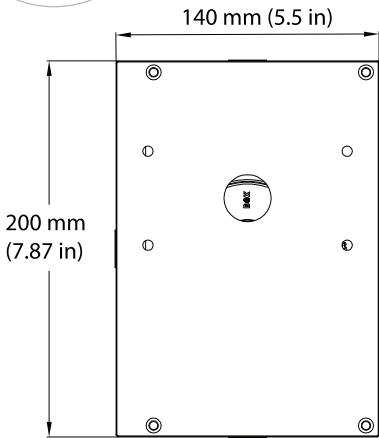
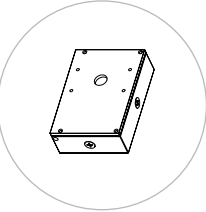
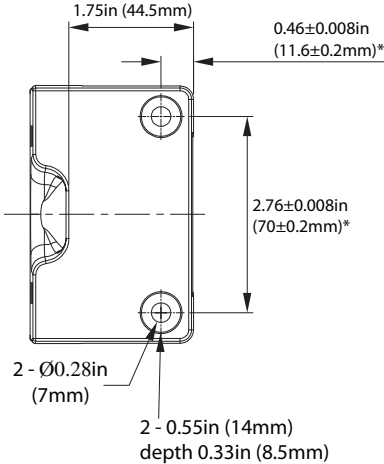
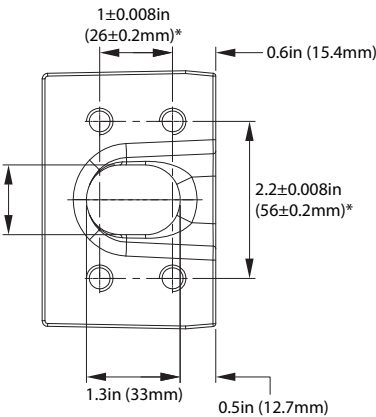
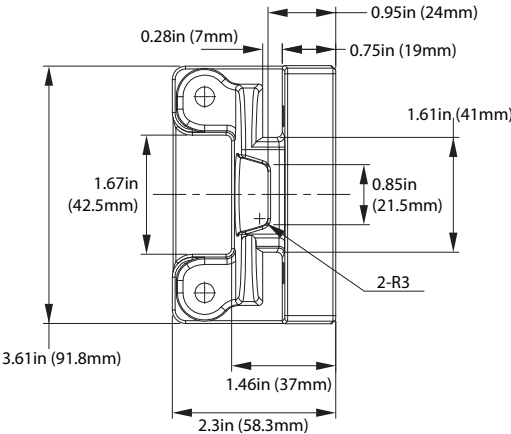
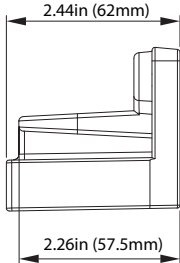
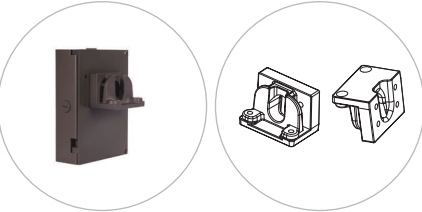


SCALE : 1:1	
Measure Tolerance is: ±0.15 mm, ±0.01in	

**MOUNTING**

**Wall Mount**

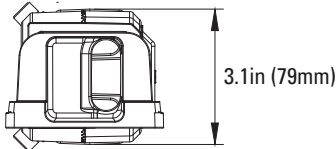
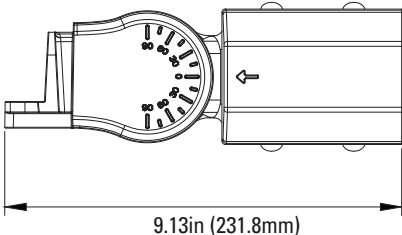
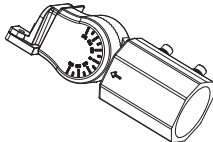
K379200 MT-CAL/WM/BZ  
(P10379 MT-CAL/MH/BZ + P10200 MT-SAL/WM/BZ)



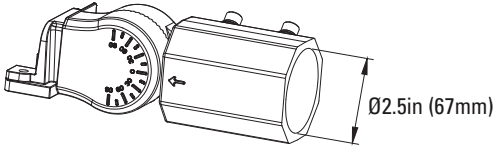
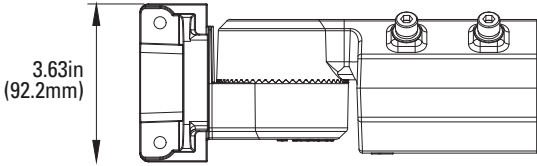
SCALE : 1:1	
Measure Tolerance is: ±0.15 mm, ±0.01in	
Material: Aluminium	

**MOUNTING**

**Slip Fitter**  
P10366 MT-CAL/SF/BZ

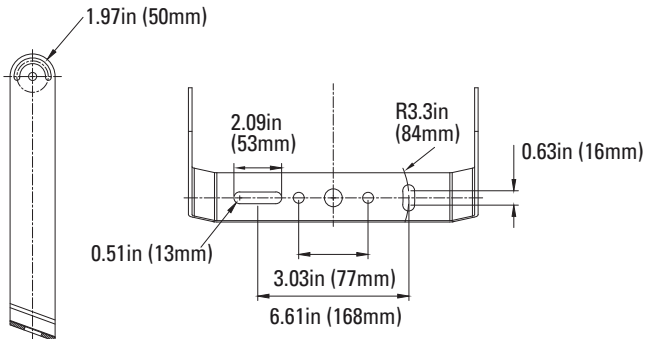
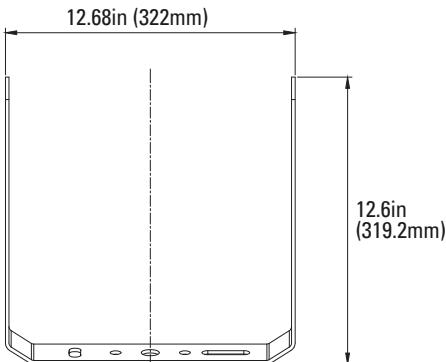
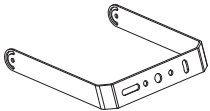


SCALE : 1:1
Measure Tolerance is: ±0.15 mm, ±0.01in



**MOUNTING**

**Yoke Mount**  
P10367 MT-CAL/YK13/BZ



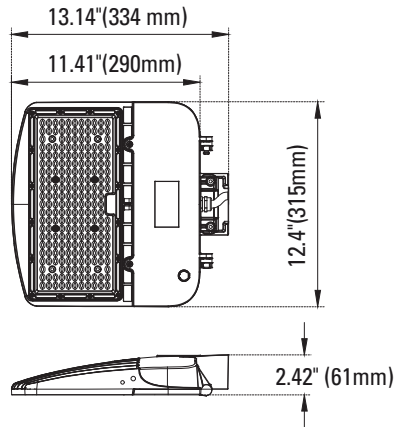
SCALE : 1:1
Measure Tolerance is: ±0.15 mm, ±0.01in

# COMPACT AREA LIGHT

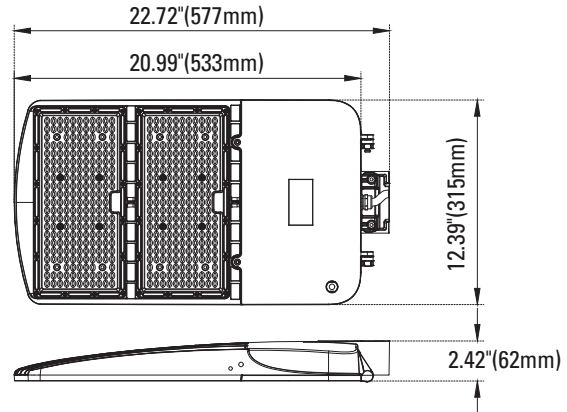
WALL & AREA LUMINAIRES

## DIMENSIONS

**100W**  
6.28-lbs



**240W**  
10.31-lbs

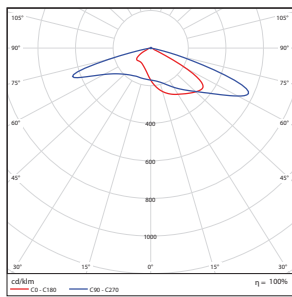


**150W**  
6.48-lbs

**300W**  
10.75-lbs

## PHOTOMETRICS CHART

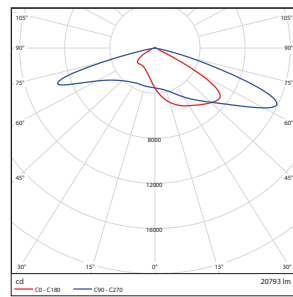
**100W**  
DLC Premium



Center Beam fc	Beam Width	
3.3R	217 fc	4.5 ft 2.4 ft
6.7R	52.6 fc	9.2 ft 4.9 ft
10.0R	23.6 fc	13.8 ft 7.3 ft
13.3R	13.3 fc	18.3 ft 9.7 ft
16.7R	8.46 fc	23.0 ft 12.2 ft
20.0R	5.90 fc	27.5 ft 14.6 ft

■ Vert. Spread: 69.1°  
■ Horiz. Spread: 40.2°

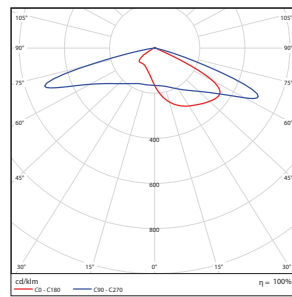
**150W**  
DLC Premium



Center Beam fc	Beam Width	
3.3R	325 fc	4.5 ft 2.4 ft
6.7R	78.8 fc	9.2 ft 4.9 ft
10.0R	35.4 fc	13.8 ft 7.3 ft
13.3R	20.0 fc	18.3 ft 9.7 ft
16.7R	12.7 fc	23.0 ft 12.2 ft
20.0R	8.84 fc	27.5 ft 14.6 ft

■ Vert. Spread: 69.1°  
■ Horiz. Spread: 40.2°

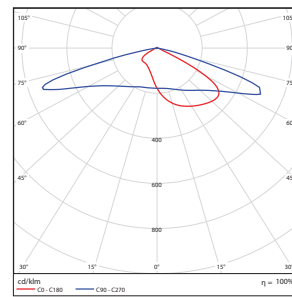
**240W**  
DLC Premium



Center Beam fc	Beam Width	
5.0R	224 fc	6.8 ft 3.1 ft
10.0R	56.1 fc	13.7 ft 6.3 ft
15.0R	24.9 fc	20.5 ft 9.4 ft
20.0R	14.0 fc	27.3 ft 12.6 ft
25.0R	8.97 fc	34.1 ft 15.7 ft
30.0R	6.23 fc	41.0 ft 18.9 ft

■ Vert. Spread: 68.6°  
■ Horiz. Spread: 34.9°

**300W**  
DLC Premium



Center Beam fc	Beam Width	
5.0R	303 fc	7.6 ft 5.7 ft
10.0R	75.9 fc	15.2 ft 11.4 ft
15.0R	33.7 fc	22.8 ft 17.1 ft
20.0R	19.0 fc	30.4 ft 22.8 ft
25.0R	12.1 fc	38.1 ft 28.6 ft
30.0R	8.43 fc	45.7 ft 34.3 ft

■ Vert. Spread: 74.5°  
■ Horiz. Spread: 59.5°

## PACKAGE

Case Qty 1 pc

