

## SCM SLIM CANOPY LARGE 13" x 13"

PROJECT: \_\_\_\_\_

SCHEDULE: \_\_\_\_\_ DATE: \_\_\_\_\_

PREPARE BY: \_\_\_\_\_

NOTES: \_\_\_\_\_

### DESCRIPTION

naturaLED® slim canopy large is DLC Premium listed and ETL with a rating of IP65. Aesthetically pleasing construction, low-profile design with die-cast aluminum housing and shatter-resistant polycarbonate prismatic lens. Dustproof, sealed structure, 1/2" NPT threaded conduit entrances on each side. This fixture comes with optional motion sensor providing: step dimming, area sensitivity, standby time and on/off. The canopy supports both pendant mounting and direct surface mounting ceiling and wall. The Slim Canopy fixture can be Pendant Mounted and accepts a 3/4" NPT threaded and can be mounted to multiple types of J-boxes.



Optics designed for parking garage applications



**Rated Life 50,000 Hours**  
**Warranty 5 Years**

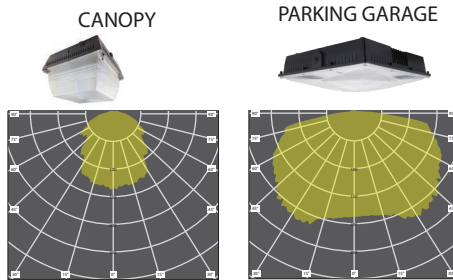
### APPLICATIONS

Warehouses, Parking Garages, Offices, Factories, Hospitals, Hotels

### FEATURES

- DLC Premium Qualified
- IP65 Rated
- ETL Listed
- ColorTemp: 4000K, 5000K
- Dimmable: 1-10V
- Input line voltage: 120-277V
- CRI: 80
- Powerfactor >0.9
- Surge Protection: 4KV
- Beam Angle: 160°
- Emergency driver and motion sensor compatible as optional accessories
- Material: aluminum die-cast
- Shatter-resistant polycarbonate lens
- Operating temperature: - 22°F - 122°F
- 5 Year Warranty
- Finish: Black

### DISTRIBUTION PATTERN



Anti-Glare with uniform and consistent light output.

The optics of our 13" Canopy are engineered designed for **parking garage applications** with improved uniforming consistent light output.

### ACCESSORIES

- Beauty Plate
- Emergency Driver
- Motion Sensor
- Surge Protection

**SAMPLE NUMBER** FX13SCM60/840/BK

FAMILY	SIZE	SERIES	WATTAGE	CRI/COLOR TEMP	COLOR
FX fixture	13 13 inch	SCM slim canopy	60 60 watt	840 CRI 80 4000K	BK Black



# SLIM CANOPY LARGE 13" x 13"

## CEILING & AREA LUMINAIRES

### ORDERING

\*P= Premium DLC / \*S = Standard DLC

Watts (W)	Ordering Code	Description	CCT (K)	Lumens (Lm)	Equiv. Wattage (W)	Dim (V)	Size	IP65 Rated	DLC (S/P)
59	9426	FX13SCM60/840/BK	4000K	7,617	250	1-10V	13"x13"	•	P
59	9427	FX13SCM60/850/BK	5000K	7,397	250	1-10V	13"x13"	•	P
59	*9245	LED-FXSCM60/50K/BK	5000K	7,397	250	1-10V	13"x13"	•	P
82	9248	LED-FXSCM85/40K/BK	4000K	10,062	400	1-10V	13"x13"	•	P
82	9249	LED-FXSCM85/50K/BK	5000K	10,259	400	1-10V	13"x13"	•	P
100	*9211	LED-FXSCM100/40K/BK	4000K	12,269	>400	1-10V	13"x13"	•	P
100	*9212	LED-FXSCM100/50K/BK	5000K	12,516	>400	1-10V	13"x13"	•	P

\*Limited Quantity. Please contact your sales rep for more information.

### ACCESSORIES (Ordered Separately)



**Emergency Driver**  
7334 BAEM15-48BC/MV-A  
(Emergency Backup Driver 120-277V)



**Beauty Plates**  
P10196 PLT-SCM/24X24/WH  
(24"x24" Beauty Plate used with SCM)



**Surge Protection**  
P10389 SPD-L-10KV-277  
(Surge Protection 10KV 120-277V)

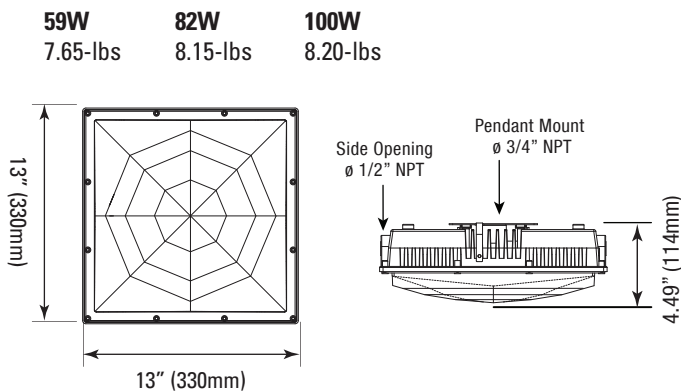


**Motion Sensor**  
P10234 SEN-MC605V-D  
(Built-In Motion Sensor 120-277V)

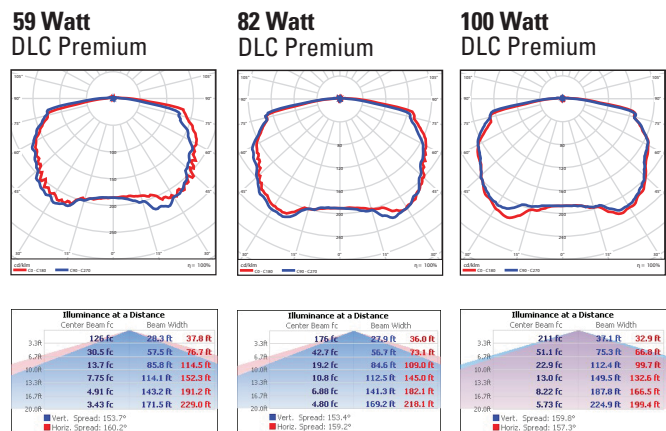


**Surge Protection**  
P10390 SPD-L-20KV-277  
(Surge Protection 20KV 120-277V)

### DIMENSIONS



### PHOTOMETRICS CHART



### PACKAGE

Case Qty 1 pc

