

OUTDOOR LANTERN
ML4 SERIES - LED INTEGRATED



TRADITIONAL



MISSION



COACH



RANCH



PRODUCT DESCRIPTION:

MaxLite LED Lanterns provide long-lasting illumination and energy cost savings for multi-residential properties. LED integrated solutions are readily available and provide excellent and uniform light quality.

FEATURES:

- Dusk to Dawn photocell with cover cap included

APPLICATIONS:

- Residential
- Hotel/Motel
- Property Management

WARRANTY:

5-year standard warranty* (further details available at www.maxlite.com/warranties)

*Product may be eligible for a warranty extension to 10 years, for an additional fee. Contact MaxLite for details.

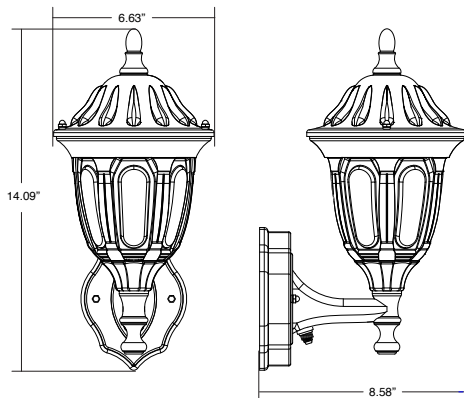
STOCKED ITEMS

| ORDER CODE | MODEL NUMBER | ENERGY STAR ID | STYLE | WATTAGE | FINISH | CCT | CONTROLS |
|------------|------------------|----------------|-------------|--------------------------|--------|---------------|--------------|
| 97868 | ML4LS10MCLBK827 | 2276569 | Coach | 10W, 60 Inc. replacement | Black | 80 CRI, 2700K | Dusk to dawn |
| 96974 | ML4LS12SRLBK827 | 2256426 | Ranch | 12W, 60 Inc. replacement | | | |
| 101444 | ML4LS14SOLBPC | 2300466 | Traditional | 14W, 60 Inc. replacement | | | |
| 1408707 | ML4LASMSB14827PC | - | Mission | | | | |

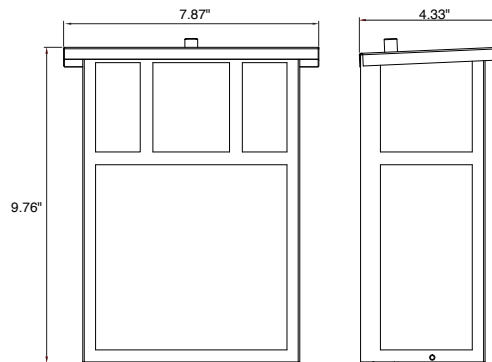
SPECIFICATIONS:

| SPECIFICATIONS: | | ML4LASMSB14827PC | ML4LS14SOLBPC | ML4LS10MCLBK827 | ML4LS12SRLBK827 |
|----------------------------|-----------------------|---|-----------------------|---|-------------------|
| ITEM | SPECIFICATION | DETAILS | | | |
| GENERAL PERFORMANCE | Power Consumption (W) | 14W | 13.5W | 10W | 12W |
| | Delivered Lumens | 815 lm | 1,165 lm | 500 lm | 750 lm |
| | Efficacy (lm/W) | 58 lm/W | 86 lm/W | 50 lm/W | 62.5 lm/W |
| | L70 Lumen Maintenance | ≥ 58,000 hours | | | |
| | Spacing Criteria | Contact MaxLite for Installation Criteria | | | |
| Dimming | Non Dimmable | | | | |
| ELECTRICAL | Input Voltage | 120V, 60Hz | 120V, 50-60 Hz | 120V, 60 Hz | 120V, 50-60 Hz |
| | Power Factor | ≥0.9 | | | |
| PHYSICAL | Housing | DieCast Al | Metal Casting | Aluminum casting | Die Cast Aluminum |
| | Lens | PC Frosted | PC | Crackle Glass | Plastic |
| | Finish | Black | | | |
| | Operating Temperature | -4°F to 104°F (-20°C - 40°C) | | -4°F-113°F (-20°C-45°C) | |
| | Mounting | Cross Bar onto Junction Box | | | |
| CERTIFICATION | Environment | Suitable for Wet Locations | | Suitable for damp locations, Class 2 power supply | |
| | Certification | ETL, FCC | Energy Star, ETL, FCC | Energy Star, UL, FCC | |
| | Warranty | 5 year warranty* | | | |

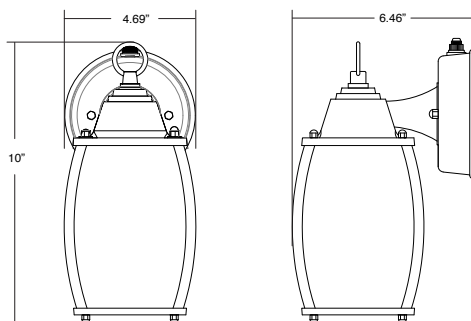
DIMENSIONS:



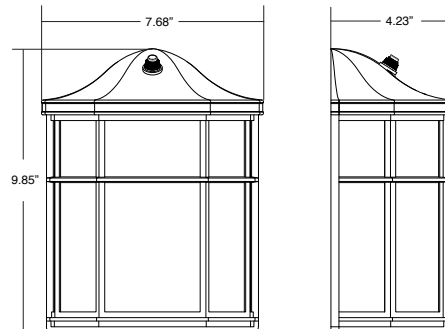
COACH
ML4LS10MCLBK827



MISSION
ML4LASMSB14827PC



RANCH
ML4LS12SRLBK827



TRADITIONAL
ML4LS14SOLBPC