



MaxLite® Hazardous Location HLRS Series

General Safety Information

- To reduce the risk of death, personal injury or property damage from fire, electric shock, falling parts, cuts/abrasions, and other hazards read all warnings and instructions included with and on the fixture box and all fixture labels.
- Before installing, servicing, or performing routine maintenance upon this equipment, follow these general precautions.
- Commercial installation, service and maintenance of luminaires should be performed by a qualified licensed electrician.
- **DO NOT INSTALL DAMAGED PRODUCT!**
- This fixture is intended to be connected to a properly installed and grounded UL listed junction box.
- Make sure that the supply voltage is the same as the luminaire voltage.
- Do not install where the marked operating temperatures exceed the ignition temperatures of the hazardous atmosphere.
- Do not operate in ambient temperatures above those indicated on the luminaire nameplate.
- All gasket seals must be clean and undamaged.



Picture is for illustration purposes only. Your model may vary.

WARNING:

RISK OF ELECTRICALSHOCK

- Turn off electrical power at fuse or circuit breaker box before wiring fixture to the power supply.
- Turn off the power when you perform any maintenance.
- Verify that supply voltage is correct by comparing it with the luminaire label information.
- Make all electrical and grounded connections in accordance with the National Electrical Code and any applicable local code requirements.
- All wiring connections should be capped with UL approved wire connectors.
- Luminaire must be supplied by a wiring system with an equipment grounding conductor.

CAUTION:

RISK OF INJURY

- Wear gloves and safety glasses at all times when removing luminaire from carton, installing, servicing or performing maintenance.
- Avoid direct eye exposure to the light source while it is on.
- Account for small parts and destroy packing material, as these may be hazardous to children.

CAUTION:

RISK OF FIRE

- Keep combustible and other materials that can burn away from luminaire and lamp/lens.
- **MIN 90°C SUPPLY CONDUCTORS.**

Models:

HLRS Series

Power (45=45W, 65=65W)

Voltage (U=120-277, H=347-480)

Lens Type ([BLANK]=Clear, 110°, D=Diffused, L=Low Bay Lens, 130°)

Color Temperature ([BLANK]=5000K, 40=4000K, 30=3000K)

Mount Type ([BLANK]=3/4" NPT-Yoke Mount / U-Bracket /

Pendant, X=Ceiling, Wall 25°, Wall 90°, Stanchion 25°, Stanchion 90°)

Operating characteristic:

Rated Voltage	Power	Class I, Division 2	Class II, Division 1
100-240/277 Vac	45 W	-40°C (-40°F) ~ +55°C (131°F)	55°C (131°F)
	65 W		
347-480 Vac	40 W	-40°C (-40°F) ~ +55°C (131°F)	52°C (126°F)
	60 W		

This fixture is suitable for use in the following hazardous (classified) areas as defined by the National Electrical Code (NEC) and Canadian Electrical Code (CEC):

Hazardous Locations
 Class I, Division 2, Groups A, B, C, D
 Class II, Division 1, Groups E, F, G
 Class II, Division 2, Groups F, G
 Class III, Division 1

<p>Compliances UL 1598A UL 1598 UL 8750 UL844</p>	<p>Environmental Ratings Suitable for hazardous location.</p>
--	---

Refer to the luminaire nameplate for specific classification information, maximum ambient temperature suitability and corresponding operating temperature (T-Code).

MaxLite® Hazardous Location HLRS Series

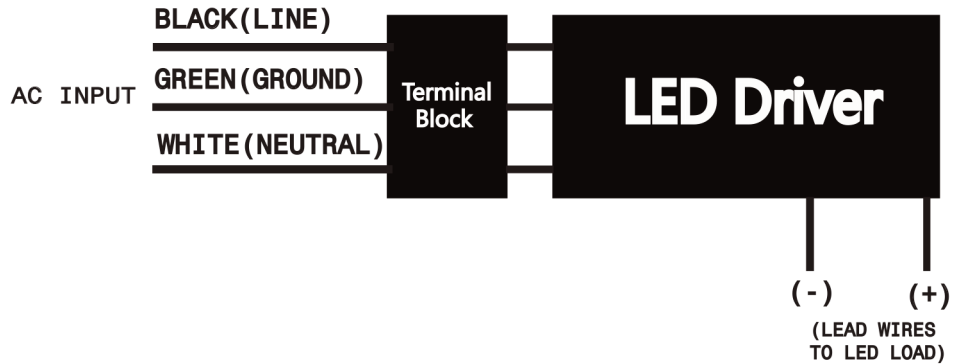


General Wiring Diagram

CAUTION: Turn off electrical power at fuse or circuit breaker box before wiring fixture to the power supply.

Connecting panels to AC source supply:
All units must be individually connected to the AC supply.

- Black = Line
- White = Neutral
- Green = Ground



M5 Socket Tool



Installation & Operation

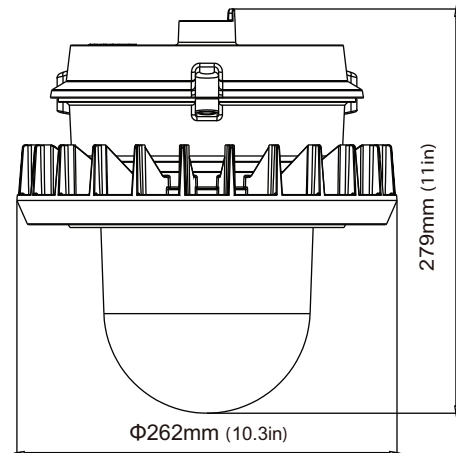
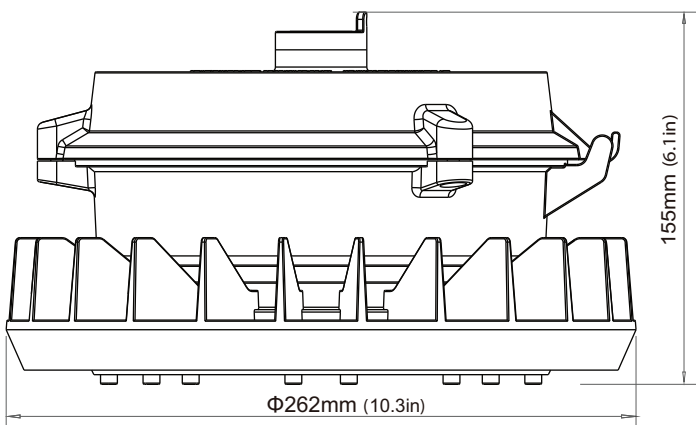
Note: For outdoor applications, ensure an M25x1.5 waterproof cable gland that meets all NEC Codes for the specified environment is used.

Electrical Connection:

1. Use the M5 Socket Tool to loosen the three M5 Socket head cap screws with spring washers of Tank Cover with torque value **5 N-m**.
2. The thread of entry hole of Tank is 3/4" NPT. Attach the Tank to suitable conduit.
3. Insert the wire from outside through the conduit and the entry hole of Tank, and then connect to Terminal Block.
4. Introduce the wires of branch circuit as following:

- Black-wire connects to Line**
- White-wire connects to Neutral**
- Green-wire connects to Ground**

1. Re-attach the Tank Cover and tighten it using the three M5 socket head screws with spring washers with a torque value **5 N-m**.
2. Check the tightness of the conduit and Tank Cover.



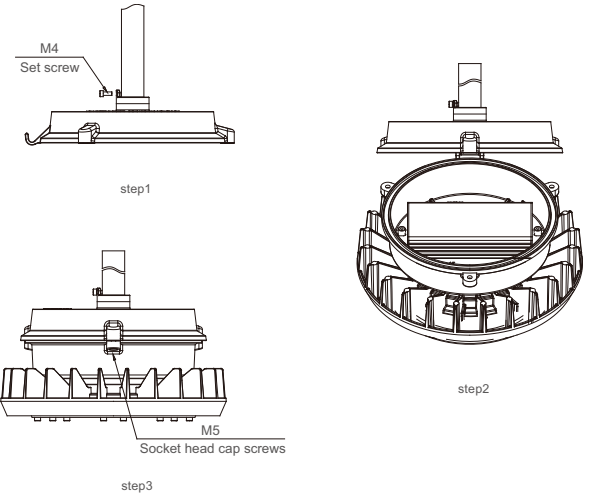
MaxLite® Hazardous Location HLRS Series



Mount Accessories

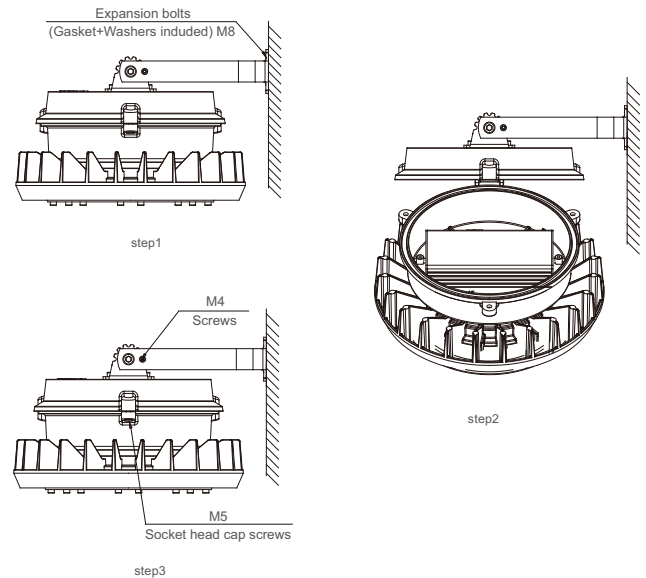
Pendant:

1. Fix the tank cover on the NPT 3/4" threaded pipe then tighten the M4 fastening screws.
2. Connect electrical components.
3. Use the three M5 socket head screws to fix the luminaire with a torque value of **5 N-m**.



U-Bracket (HLRSYB):

1. Use the four M8 expansion bolts to fix the bracket to the wall.
2. Connect electrical components.
3. Use the three M5 socket head screws to fix the luminaire with a torque value of **5 N-m**; adjust the angle of the lamp and use the M4 screws to fix the fixture in place.



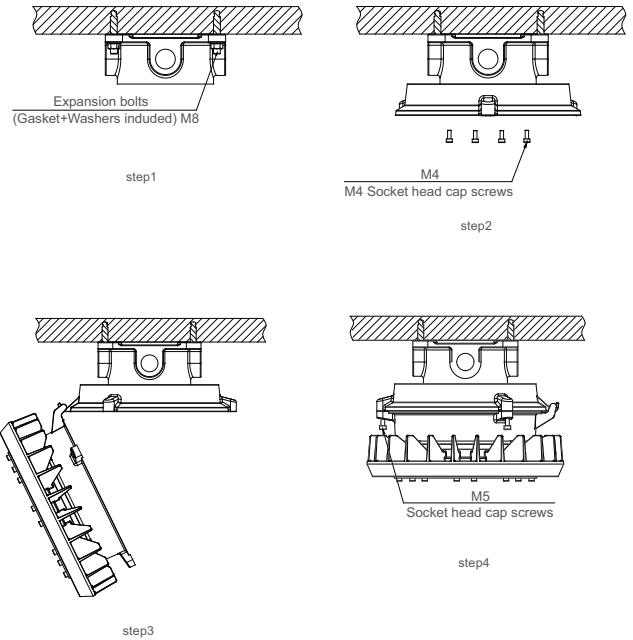


MaxLite® Hazardous Location HLRS Series

Mount Accessories

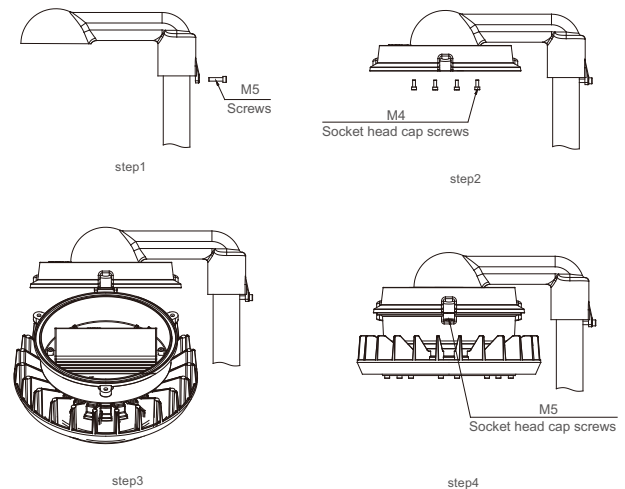
Ceiling (HLCEMG):

1. Use the four M8 expansion bolts to fix the bracket to the ceiling.
2. Use the six M4 hexagon socket screws with a torque value of **3 N-m** in order to fix the driver cavity cover to the bracket.
3. Lights should be hung on the driver cavity cover; connect wires accordingly.
4. Use the three M5 socket head screws with torque value of **5 N-m** to the fixture.



Stanchion 25° (HLS22G/HLS24G) / Stanchion 90° (HLS92G/HLS94G):

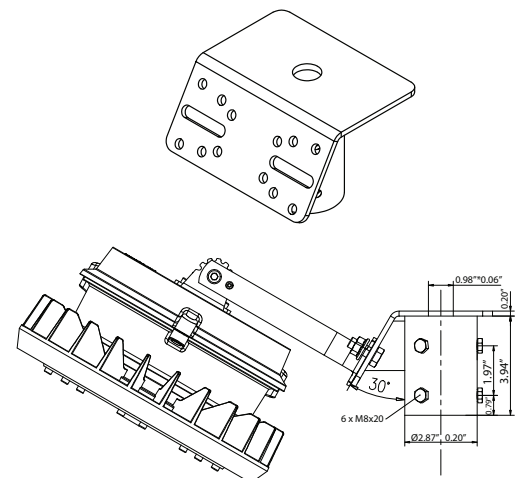
1. Screw the bracket into the pole and tighten the M5 fastening screws.
2. Use the six M4 hexagon socket screws to fix the tank cover to the bracket with a torque value of **3 N-m**.
3. Connect electrical components.
4. Use the three M5 socket head screws to fix the luminaire with a torque value of **5 N-m**.



Tenon adapter (HL-TA) / U-bracket (HLRSYB05) Mount:

*Both accessories purchased separately

1. Measure and verify pole outer diameter. Place Tenon adapter on the 2-3/8" * 4" Tenon. Tighten all the provided 6 (M8x20mm) set screws. Pull cable through center hole.
2. Place and hold the fixture with bracket onto Tenon adapter. Secure with the provided 2 (M8) hex bolts and washers on the top of the slipfitter. This may require holding set screws in place with allen wrench.
3. Loosen the Locking Bolt of the bracket and adjust the angle (6x30°) of the fixture as desired. Tighten the Locking Bolt.
4. Wire to luminaire according to luminaire installation manual.



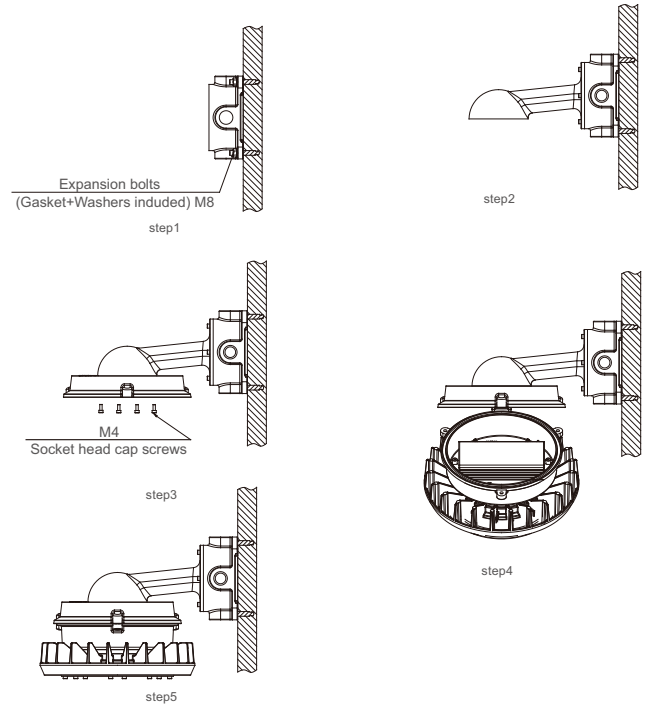


MaxLite® Hazardous Location HLRS Series

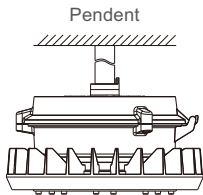
Mount Accessories

Wall 25° (HLW25G) / Wall 90° (HLW90G):

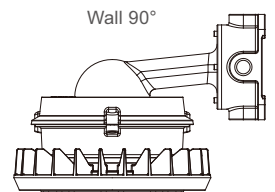
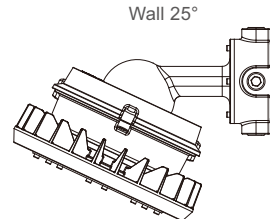
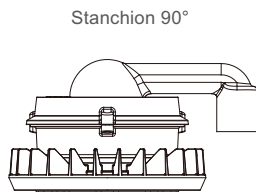
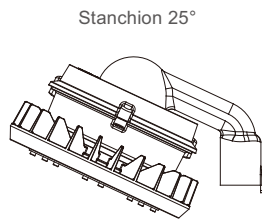
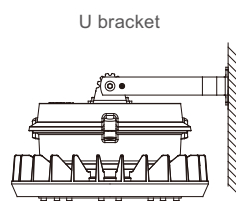
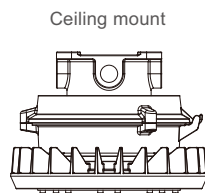
1. Use the four M8 expansion bolts to fix the bracket to the wall.
2. Use the six M4 hexagon socket screws to fix the bracket with a torque value of **3 N-m**.
3. Use the six M4 hexagon socket screws to fix the driver cavity cover to the bracket with a torque value of **3 N-m**.
4. Connect electrical components.
5. Use the three M5 socket head screws to fix the luminaire with a torque value of **5 N-m**.



Standard:



Optional:



MaxLite® Hazardous Location HLRS Series



Servicing

- To avoid personal injury, disconnect power to the light and allow the unit to cool down before performing maintenance.
- Perform visual, electrical, and mechanical inspections on a regular basis. The environment and frequency of use should determine this. However, it is recommended that checks be made at least once a year. Frequency of use and environment should determine this.
- The external glass should be cleaned periodically to ensure continued luminaire performance. Clean the glass with a clean, damp, non-abrasive, lint-free cloth. If this is not sufficient, use a mild soap or a liquid cleaner. Do not use an abrasive, strong alkaline or acid cleaner as damage may occur.
- Inspect the cooling fins on the luminaire to ensure that they are free of any contamination (i.e. excessive dust build-up). Clean with a non-abrasive cloth if needed.
- Mechanically check that all parts are properly assembled.
- Electrically check to make sure that all connections are clean and tight.

This device complies with Part 15 of the FCC Rules. Operation is subject to the following two conditions: (1) this device may not cause harmful interference, and (2) this device must accept any interference received, including interference that may cause undesired operation

MaxLite® Hazardous Location HLRS Series



Warranty Information

MaxLite Inc. warrants its products for a minimum period of **FIVE (5)** years from the earlier of the actual installation date or 90 days after the original date of purchase from a MaxLite authorized distributor/dealer (the "Warranty Period"), as follows: If a Product fails to operate during the Warranty Period as a result of defects in materials or workmanship, MaxLite will, at its option, repair it, replace it with the same or like Product.

Please refer to Maxlite's website (at <http://maxlite.com/resources/warranties>) for the complete coverage details as well as the terms and conditions of our warranty. Please note that it is NOT a requirement to register your warranty in order to initiate a warranty claim unless a Ten Year warranty has been purchased separately, or when applicable and/or purchased separately, your warranty contains a replacement labor allowance.

Limitation of Liability

THIS WARRANTY IS EXCLUSIVE, AND IS THE SOLE REMEDY FOR ANY AND ALL CLAIMS, WHETHER IN CONTRACT, IN TORT OR OTHERWISE ARISING FROM THE FAILURE OF PRODUCT AND IS IN LIEU OF ALL OTHER WARRANTIES, EXPRESS OR IMPLIED, INCLUDING ALL WARRANTIES OF MERCHANTABILITY OR FITNESS FOR A PARTICULAR PURPOSE, WHICH WARRANTIES ARE HEREBY EXPRESSLY DISCLAIMED TO THE EXTENT PERMITTED BY LAW AND, IN ANY EVENT, SHALL BE LIMITED TO THE WARRANTY PERIOD SPECIFIED ABOVE. THE LIABILITY OF MAXLITE SHALL BE LIMITED TO THE TERMS OF THE EXPRESS WARRANTY SET FORTH HEREIN. IN NO EVENT WILL MAXLITE BE LIABLE FOR ANY SPECIAL, INCIDENTAL OR CONSEQUENTIAL DAMAGES INCLUDING, WITHOUT LIMITATION, DAMAGES RESULTING FROM LOSS OF USE, PROFITS, BUSINESS OR GOODWILL, LABOR COSTS, REMOVAL OR INSTALLATION COSTS, WHETHER OR NOT MAXLITE HAS BEEN ADVISED OF THE POSSIBILITY THEREOF. UNDER NO CIRCUMSTANCES SHALL MAXLITE'S ENTIRE LIABILITY FOR A DEFECTIVE PRODUCT EXCEED THE PURCHASE PRICE OF THAT PRODUCT (EXCLUDING LABOR WARRANTY COVERAGE WHERE SPECIFICALLY OFFERED BY MAXLITE). WARRANTY SERVICES PROVIDED UNDER THESE TERMS AND CONDITIONS DONOT ENSURE THE UNINTERRUPTED OPERATION OF PRODUCTS; MAXLITE SHALL NOT BE LIABLE FOR DAMAGES CAUSED BY ANY DELAYS INVOLVING WARRANTY SERVICE.

This Warranty gives you specific legal rights and you may also have other rights that may vary from state to state. Because some states or jurisdictions do not allow the exclusion or limitation of liability for consequential or incidental damages, such limitation may not apply to you.