

MaxLite® High Bay Pendant - High Ambient

MaxLite®

General Safety Information

- To reduce the risk of death, personal injury or property damage from fire, electric shock, falling parts, cuts/abrasions, and other hazards read all warnings and instructions included with and on the fixture box and all fixture labels.
- Before installing, servicing, or performing routine maintenance upon this equipment, follow these general precautions.
- Commercial installation, service and maintenance of luminaires should be performed by a qualified licensed electrician.
- **DO NOT INSTALL DAMAGED PRODUCT!**
- This fixture is intended to be connected to a properly installed and grounded UL listed junction box.



Picture is for illustration purposes only.
Your model may vary.

WARNING:

RISK OF ELECTRICAL SHOCK

- Turn off electrical power at fuse or circuit breaker box before wiring fixture to the power supply.
- Turn off the power when you perform any maintenance.
- Verify that supply voltage is correct by comparing it with the luminaire label information.
- Make all electrical and grounded connections in accordance with the National Electrical Code and any applicable local code requirements.
- All wiring connections should be capped with UL approved wire connectors.

CAUTION:

RISK OF INJURY

- Wear gloves and safety glasses at all times when removing luminaire from carton, installing, servicing or performing maintenance.
- Avoid direct eye exposure to the light source while it is on.
- Account for small parts and destroy packing material, as these may be hazardous to children.

CAUTION:

RISK OF FIRE

- Keep combustible and other materials that can burn away from luminaire and lamp/lens.

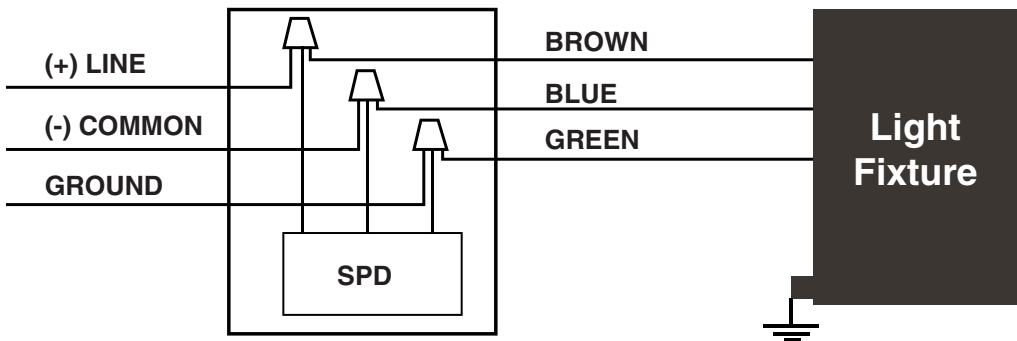
HPH Series



MaxLite® High Bay Pendant - High Ambient

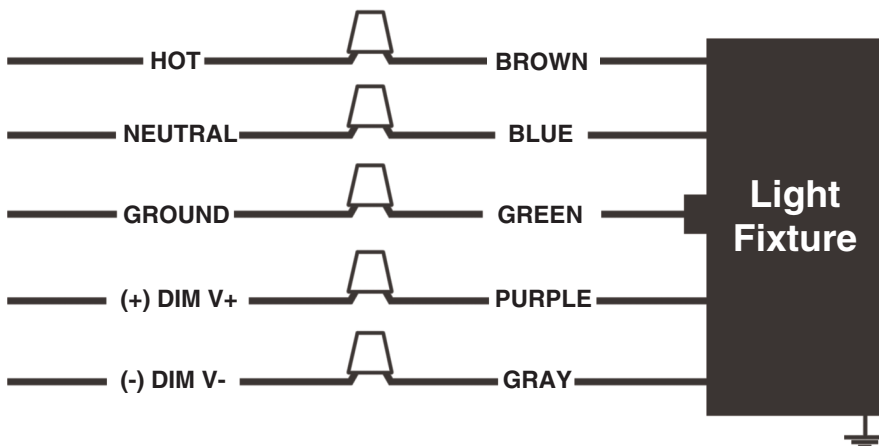
CAUTION: Turn off electrical power at fuse or circuit breaker box before wiring fixture to the power supply.

Standard Wiring Instructions (100-277V, 200-480V)



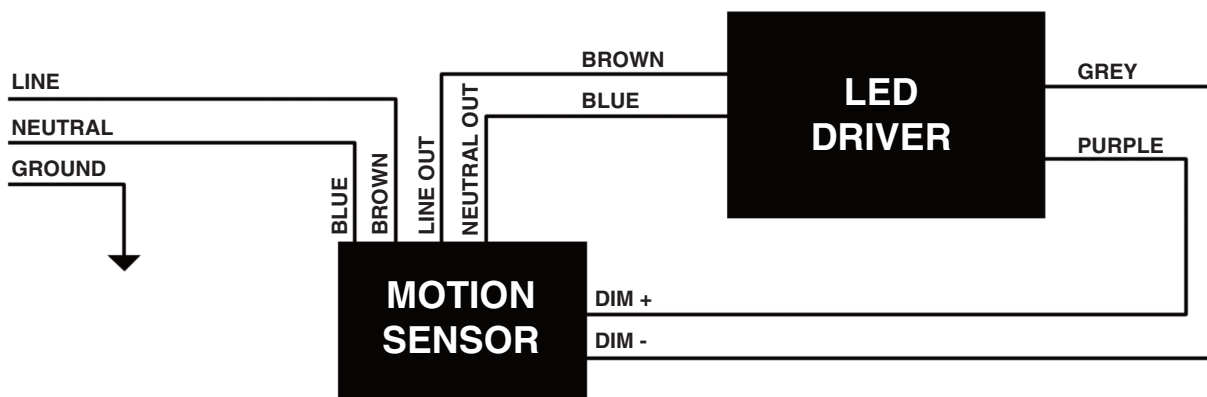
1. Connect the brown fixture wire to the (+) LINE supply wire.
2. Connect the blue fixture wire to the (-) COMMON supply wire.
3. Connect the green fixture wire to supply ground wire.

0-10V Dimmable Wiring Instructions



- 1.) Connect the brown fixture wire to the HOT LINE supply wire.
- 2.) Connect the blue fixture wire to the NEUTRAL supply wire.
- 3.) Connect the green fixture wire to supply ground wire.
- 4.) Connect the purple fixture wire to the (V+) DIM wire.
- 5.) Connect the gray fixture wire to the (V-) DIM wire.

Motion Sensor Wiring Instructions





MaxLite® High Bay Pendant - High Ambient

Surface Mounting

1. Begin by removing the hook from the surface mount bracket.
2. Use the mounting template below to drill the holes in your mounting surface. See **Figure 3**
3. Hold the fixture up to the holes drilled in step 2 and secure with screws. (Hardware not included, 7/16" screws recommended).
4. Feed the 3 cord wire from the fixture to the junction box.
5. (Optional) Adjust the angle of the fixture by loosening the top screw in **Figure 2** and use the hash marks as a guide. Retighten the screw when pointed at the desired angle.

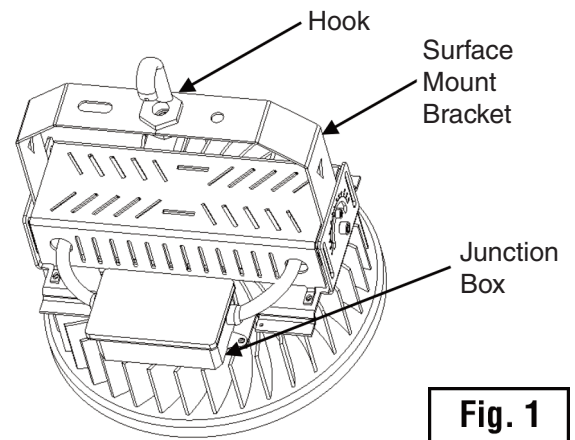


Fig. 1

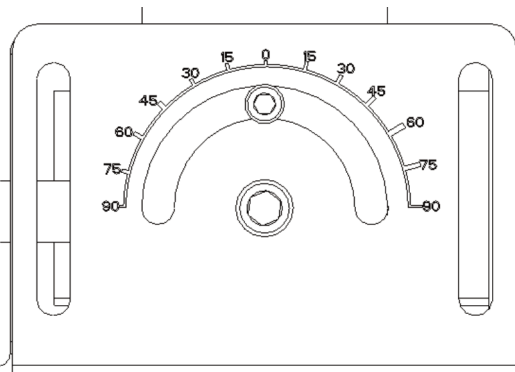


Fig. 2

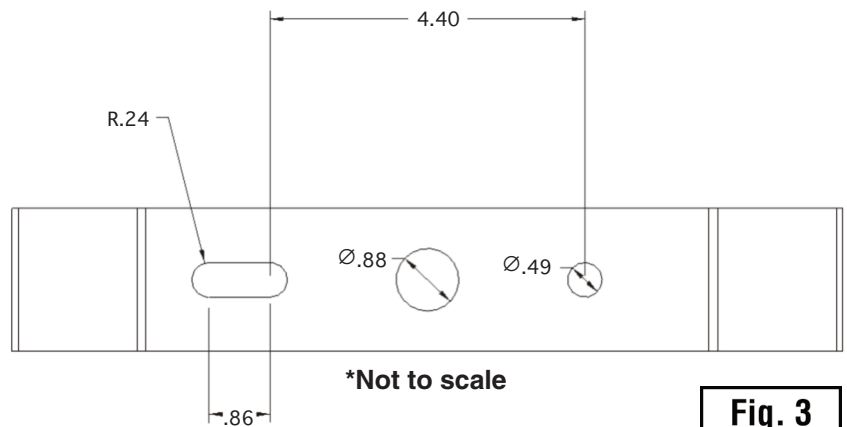


Fig. 3

Hook Mounting

1. Loosen the screw to open the hook at the top of the fixture.
2. Place the hook onto the structure or chain you wish to attach it too, and tighten the screw to secure it.
3. Feed the 6ft 3-wire cord from the fixture to the junction box.

Pendant/Junction Box Mount

1. Remove the Hook from the surface mount bracket. See **Figure 4**
2. Use the hole where the hook was to secure to a 1/2" NPT pipe, and use the nut and washer leftover from the hook to secure the pipe to the bracket.
3. Feed the 6ft 3-wire cord from the fixture to the junction box.

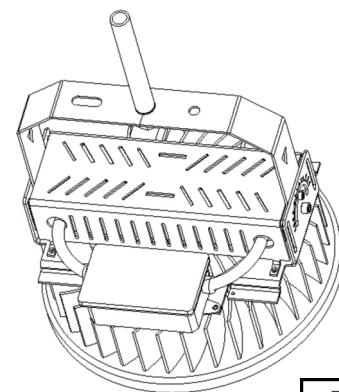


Fig. 4

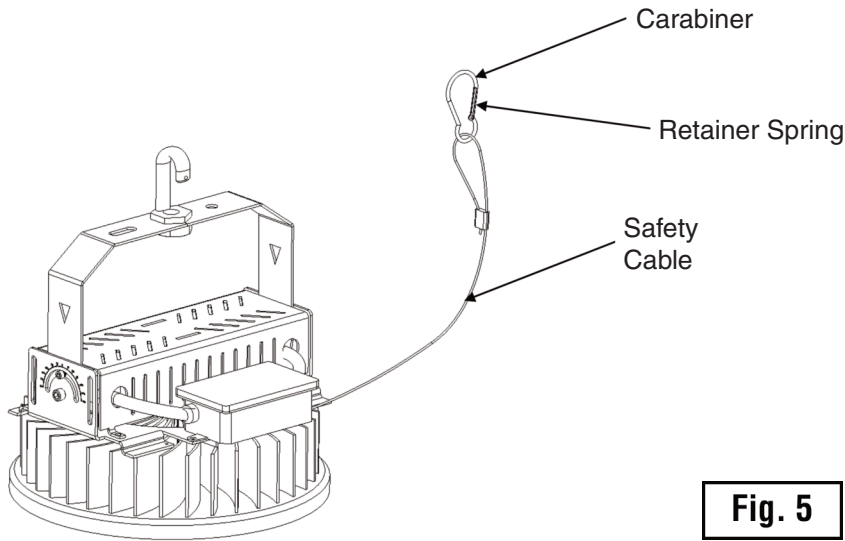
MaxLite® High Bay Pendant - High Ambient



Safety Cable Mounting

NOTE: The safety cable is meant for additional security and should not replace the mounting methods listed above.

1. Use the retainer spring on the clip at the end of the safety cable to attach it to a structural member. See **Figure 5**



MaxLite® High Bay Pendant - High Ambient



Warranty Information

MaxLite Inc. warrants its products for a minimum period of **FIVE (5)** years from the date of original purchase from MaxLite or its authorized distributor/dealer (the “Warranty Period”), as follows: If a Product fails to operate during the Warranty Period as a result of defects in materials or workmanship, MaxLite will, at its option, repair it, replace it with the same or like Product.

Please refer to Maxlite’s website (at <http://maxlite.com/resources/warranties>) for the complete terms and conditions of our warranty.

Limitation of Liability

THE FOREGOING WARRANTY IS EXCLUSIVE, AND IS THE SOLE REMEDY FOR ANY AND ALL CLAIMS, WHETHER IN CONTRACT, IN TORT OR OTHERWISE ARISING FROM THE FAILURE OF PRODUCT AND IS IN LIEU OF ALL OTHER WARRANTIES, EXPRESS OR IMPLIED, INCLUDING ALL WARRANTIES OF MERCHANTABILITY OR FITNESS FOR A PARTICULAR PURPOSE, WHICH WARRANTIES ARE HEREBY EXPRESSLY DISCLAIMED TO THE EXTENT PERMITTED BY LAW AND, IN ANY EVENT, SHALL BE LIMITED TO THE WARRANTY PERIOD SPECIFIED ABOVE. THE LIABILITY OF MAXLITE SHALL BE LIMITED TO THE TERMS OF THE EXPRESS WARRANTY SET FORTH HEREIN. IN NO EVENT WILL MAXLITE BE LIABLE FOR ANY SPECIAL, INCIDENTAL OR CONSEQUENTIAL DAMAGES INCLUDING, WITHOUT LIMITATION, DAMAGES RESULTING FROM LOSS OF USE, PROFITS, BUSINESS OR GOODWILL, LABOR COSTS, REMOVAL OR INSTALLATION COSTS, DECREASE IN THE LIGHT OUTPUT OF THE LAMP, AND/OR DETERIORATION IN THE LAMP’S PERFORMANCE, WHETHER OR NOT MAXLITE HAS BEEN ADVISED OF THE POSSIBILITY THEREOF. UNDER NO CIRCUMSTANCES SHALL MAXLITE’S ENTIRE LIABILITY FOR A DEFECTIVE PRODUCT EXCEED THE PURCHASE PRICE OF THAT PRODUCT. WARRANTY SERVICES PROVIDED UNDER THESE TERMS AND CONDITIONS DO NOT ENSURE THE UNINTERRUPTED OPERATION OF PRODUCTS; MAXLITE SHALL NOT BE LIABLE FOR DAMAGES CAUSED BY ANY DELAYS INVOLVING WARRANTY SERVICE.

This Limited Warranty gives you specific legal rights and you may also have other rights that may vary from state to state. Because some states or jurisdictions do not allow the exclusion or limitation of liability for consequential or incidental damages, this limitation may not apply to you.