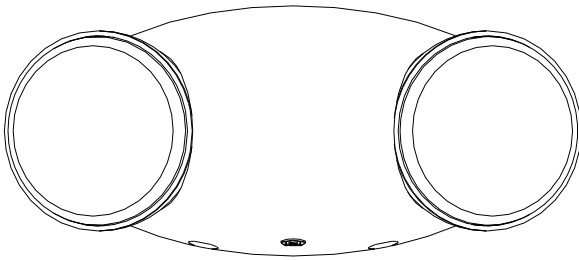


Instructions for Emergency Lighting Fixture



IMPORTANT:

Battery in this unit may not be fully charged. After connecting unit to AC power, allow battery to charge for at least 24 hours, before performing operational test . To perform operational test, press the " TEST " button. The light on the unit should be illuminated. The lamps listed herein,when used according to these instructions are in accordance with the requirements of UL924 standards.

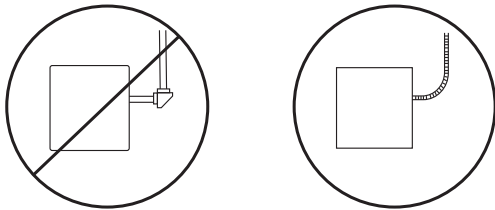
IMPORTANT SAFEGUARDS

When using electrical equipment, basic safety precautions should always be followed including the following:

READ AND FOLLOW ALL SAFETY INSTRUCTIONS

- 1.Do not use outdoors.
- 2.Equipment should be mounted in locations at heights where it will not be subject to tampering by unauthorized personnel.
- 3.Do not mount near gas or electric heaters.
- 4.The use of accessories not recommended by the manufacturer may cause an unsafe condition.
- 5.Do not use this equipment for other than its intended use.
- 6.Servicing of this equipment should be performed by qualified personnel.
- 7.Disconnect AC power before servicing.

SAVE THESE INSTRUCTIONS



FLEXIBLE CONDUIT ONLY

INSTALLATION (J-BOX MOUNTING)

1. Feed fixture leads through back plate and connect AC power supply (Fig A).
2. Connect wires through J-Box. Secure back plate on to J-Box with screws.
3. Connect battery only after AC power can be provided to the unit (Fig. B).
4. Align snaps and push housing directly onto back plate (Fig. C). Supply AC power and press "TEST" button to check light.

INSTALLATION (CONDUIT)

1. Secure back plate to wall surface . Route wires through hole in conduit flange and make conduit connection.
2. Connect battery only after AC power can be provided to the unit (Fig. B).
3. Align snaps and push housing directly onto back plate (Fig. C). Supply AC power and press "TEST" button to check light.

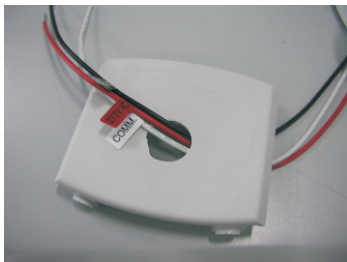


Fig.A (J-Box)

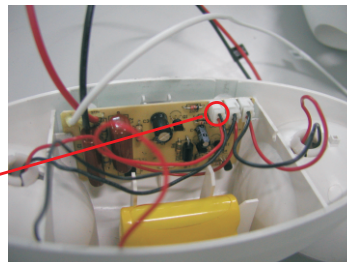
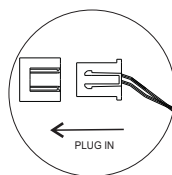


Fig.B



Fig.C

WARNING:

Unused wires must be capped using enclosed wire nuts.

OPERATION

1. During an electrical power failure, the lamps on the unit will automatically come ON for a minimum of 90 minutes.
2. To test this unit, let it charge correctly with AC power supply for a minimum of 24 hours after its first installation and then depress the "TEST" switch, the emergency lamps will illuminate. When the switch is released, the lamps will turn OFF.
3. For the unit with Self-Diagnostic, must connect as below:

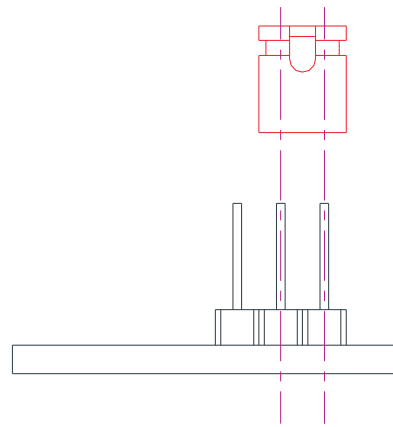
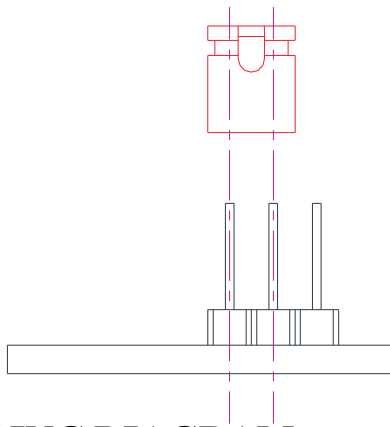
1) When customer doesn't need remote lamp, please insert terminal to N. (See Figure 1 below)

2) When customer needs remote lamp, please insert terminal to Y. (See Figure 2 below)

Figure 1



Figure 2



LED WIRING DIAGRAM

