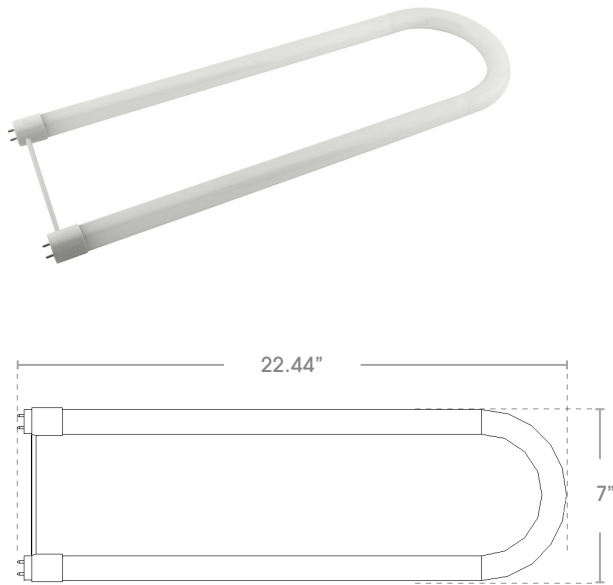


LED T8 U-BEND
DIRECTFIT PLASTIC SERIES
UL TYPE-A



PRODUCT DESCRIPTION:

MaxLite DirectFit LED T8 U-bend lamp is the ideal plug and play solution that works straight out of the box. Designed to deliver over 1800 lumens, these energy-saving LED lamps are quick, easy and safe to install into existing linear fluorescent fixtures without any extra effort or re-wiring. MaxLite DirectFit LED T8 U-bend lamps utilize the existing T8 instant-start electronic ballasts, thus minimizing maintenance and labor costs.

FEATURES:

- Wattage (Bare Lamp): 13W, System wattage: 16W
- Equivalent: 32W Fluorescent T8, 59% Energy saving
- Lumens: 1800lm
- Input Voltage: 120-277, 347V VAC, determined by fluorescent ballast
- Compatible with most electronic instant-start T8 ballasts
- Eliminates the need for rewiring
- Polycarbonate lens with 320° beam angle
- Color Rendering Index (CRI): 83
- THD <20%
- Power Factor: 0.90
- Instant on
- Dimmable (see compatible ballast list on models)
- Suitable for use in damp locations
- Suitable for use in totally enclosed recessed fixture
- Not for use or to be wired to "mains voltage"
- No mercury, easy disposal
- Rated Lifetime @ L70: 50,000 Hours
- U13T8DF2xx is listed on the DLC QPL ("xx" = 35 (3500K), 40 (4000K) or 50 (5000K))

APPLICATIONS:

- Hospitals
- Medical Offices
- Restaurants
- Fast Food Chains
- Department Stores
- Hallways

WARRANTY:

5-year standard warranty
(further details available at www.maxlite.com/warranties)
Product may be eligible for a warranty extension to 10 years, for an additional fee. Contact MaxLite for details.

MODEL SELECTION (Full list of order codes on pg. 2)			Typical order example: U13T8DF240		
U	13	T8	DF	2	
FAMILY	WATTAGE	LAMP TYPE	OPERATION	LENGTH	CCT
U= LED, U-Bend T8	13= 13W	T8= T8 tube	DF= Direct Fit	2= 2 FT	35= 3500K 40= 4000K 50= 5000K

NOTES:

1. See page 3 for a list of compatible ballasts

SPECIFICATIONS:

		U13T8DF2xx
ITEM	SPECIFICATION	DETAILS
GENERAL PERFORMANCE	Power (Bare Lamp)	13W
	Lumens Delivered*	1,800
	CRI	83
	Beam Angle	320°
	Color Temperature (CCT)	3500K, 4000K, 5000K
	Lumen Maintenance (L70)	50,000 hours
ELECTRICAL	Power Factor	0.90
	Input Voltage	120-277V, 347V, ballast dependent
PHYSICAL	Operating Temperature	-4°F to 113°F
	Lens	Frosted
CERTIFICATION	Certification	cULus, LM79, LM80
	Material Usage	RoHS compliant, no mercury
	Environment	Dry & Damp
	Warranty	5 Years
QUALIFICATION	DesignLight Consortium	DLC Standard

*Operating with normal ballast factor (0.88) ballast

WATTS & LUMENS*:

MODEL	RATED BARE LAMP (W)	AVERAGE SYSTEM WATTS (W)			INITIAL LUMENS		
		LOW BF=.78	NORMAL BF=.88	HIGH BF=1.18	LOW BF=.78	NORMAL BF=.88	HIGH BF=1.18
U13T8DF235	13	14	16	21	1560	1800	2150
U13T8DF240							
U13T8DF250							

* Lumens and watts will vary by ballast and fixture

ORDERING:

ORDER CODE	ITEM NUMBER	LUMENS	CCT	PRODUCT WEIGHT	LENGTH	ANSI BASE	DIMENSIONS (MOL" x DIA")	MASTER CARTON QUANTITY
1409015	U13T8DF235	1800	3500K	0.44 lbs	2FT	Medium Bi-Pin G13	22.28" X 5.98"	12pcs
1409016	U13T8DF240	1800	4000K					
1409017	U13T8DF250	1800	5000K					

Lighting layouts and spacing criteria available upon request

COMPATIBLE BALLASTS (120-277V):

MANUFACTURE	BALLAST PART #	# OF LAMPS	1 LAMP LOAD		2 LAMPS LOAD		3 LAMPS LOAD		4 LAMPS LOAD	
			INPUT VOLTAGE		INPUT VOLTAGE		INPUT VOLTAGE		INPUT VOLTAGE	
			120V	277V	120V	277V	120V	277V	120V	277V
ARCATA	ACT4P32ISUNV	4	-	-	-	-	GOOD	GOOD	GOOD	GOOD
ADVANCE	ICN-2P32-N	2	GOOD	GOOD	GOOD	GOOD	-	-	-	-
	IOPA-2P32-N	2	GOOD	GOOD	GOOD	GOOD	-	-	-	-
	RCN-2S32-SC	2	-	-	GOOD	-	-	-	-	-
	REL-2P32-SC	2	GOOD	-	GOOD	-	-	-	-	-
	REL-4P32-RH-TP	4	-	-	-	-	GOOD	GOOD	GOOD	GOOD
	ICN-4P32-N	4	-	-	-	-	GOOD	GOOD	GOOD	GOOD
	ICN-4P32-SC	4	-	-	-	-	GOOD	GOOD	GOOD	GOOD
ESPEN	VE232MVHIP	2	GOOD	GOOD	GOOD	GOOD	-	-	-	-
	VE232MVHIPE	2	GOOD	GOOD	GOOD	GOOD	-	-	-	-
	VE232MVHIPHE	2	GOOD	GOOD	GOOD	GOOD	-	-	-	-
	VE232MVHIPL	2	GOOD	GOOD	GOOD	BAD	-	-	-	-
	VE432MVHIP	4	-	-	-	-	GOOD	GOOD	GOOD	GOOD
	VE432MVHIPE	4	-	-	-	-	GOOD	GOOD	GOOD	GOOD
	VE432MVHIPHE	4	-	-	-	-	GOOD	GOOD	GOOD	GOOD
FULHAM	NPY-120-232-LT8	2	GOOD	-	GOOD	-	-	-	-	-
	WHCG3-120-T8-IS	3	-	-	GOOD	-	GOOD	-	-	-
FUSION	FB232MVE	2	GOOD	GOOD	GOOD	GOOD	-	-	-	-
	FB232MVE-HE	2	GOOD	BAD	GOOD	GOOD	-	-	-	-
	FB232MVE-LHE	2	GOOD	-	GOOD	-	-	-	-	-
	FB232MVE-PPS-HE	2	GOOD	BAD	GOOD	GOOD	-	-	-	-
	FB332MVE	3	-	-	GOOD	GOOD	GOOD	GOOD	-	-
	FB432MVE	4	-	-	-	-	GOOD	GOOD	GOOD	GOOD
	FB432MVE-HE	4	-	-	-	-	GOOD	GOOD	GOOD	GOOD
	FB432MVE-PPS-HE	4	-	-	-	-	GOOD	GOOD	GOOD	GOOD
GE	GE 232-120RES-DIYB	2	GOOD	-	GOOD	-	-	-	-	-
	GE232MAX-N/ULTRA	2	GOOD	GOOD	GOOD	GOOD	-	-	-	-
	GE232-MVPS-L	2	GOOD	GOOD	GOOD	GOOD	-	-	-	-
	GE-232-MVPS-H	2	GOOD	GOOD	GOOD	GOOD	-	-	-	-
	GE332MV-N-DIY	3	-	-	GOOD	GOOD	GOOD	GOOD	-	-
GREENHILL	GH4P32ISUNV	4	-	-	-	-	GOOD	GOOD	GOOD	GOOD
HALCO	EP232IS/H/MV/HE	2	GOOD	GOOD	GOOD	GOOD	-	-	-	-
	EP332IS/L/MV/HE	3	-	-	GOOD	GOOD	GOOD	GOOD	-	-
	EP332IS/MV/MC	3	-	-	GOOD	GOOD	GOOD	GOOD	-	-
	EP432IS/L/MV/HE	4	-	-	-	-	GOOD	GOOD	GOOD	GOOD
	EP432IS/MV/MC	4	-	-	-	-	GOOD	GOOD	GOOD	GOOD

COMPATIBLE BALLASTS (120-277V):

MANUFACTURE	BALLAST PART #	# OF LAMPS	1 LAMP LOAD		2 LAMPS LOAD		3 LAMPS LOAD		4 LAMPS LOAD	
			INPUT VOLTAGE		INPUT VOLTAGE		INPUT VOLTAGE		INPUT VOLTAGE	
			120V	277V	120V	277V	120V	277V	120V	277V
HOWARD	EP4/32IS/MV/MC/HE	4	-	-	-	-	GOOD	GOOD	GOOD	GOOD
HUAFENG	ENI-T8-32-P2SC-N	2	GOOD	GOOD	GOOD	GOOD	-	-	-	-
	ENI-T8-32-P4MC-N	4	-	-	-	-	GOOD	GOOD	GOOD	GOOD
KEYSTONE	KTEB-232-UV-IS-N-P	2	GOOD	GOOD	GOOD	GOOD	-	-	-	-
	KTEB-332-UV-IS-N-P	3	-	-	GOOD	GOOD	GOOD	GOOD	-	-
	KTEB-432-UV-IS-N-P	4	-	-	-	-	GOOD	GOOD	GOOD	GOOD
OSRAM	QHE 2x32T8/UNV ISL SC	2	GOOD	GOOD	GOOD	GOOD	-	-	-	-
	QTP 3x32T8/UNV PSX-SC	3	-	-	-	-	BAD	BAD	-	-
PACIFIC	EB-332IS-U	3	-	-	GOOD	GOOD	GOOD	GOOD	-	-
	EB-432IS-U	4	-	-	-	-	GOOD	GOOD	GOOD	GOOD
PREMIUM	BB-T8/UVH-2x32	2	GOOD	GOOD	GOOD	GOOD	-	-	-	-
	BB-T8/UVH-3x32	3	-	-	-	-	GOOD	GOOD	-	-
ROBERTSON	RSW240T12120	2	GOOD	-	GOOD	-	-	-	-	-
STANDARD	E232PI120L	2	GOOD	-	GOOD	-	-	-	-	-
	E232T8IS120/N/AS	2	GOOD	-	GOOD	-	-	-	-	-
	E432T8IS120/H	4	-	-	-	-	GOOD	-	GOOD	-
	E432T8IS120/L/AS/BULK	4	-	-	-	-	GOOD	-	GOOD	-
	E432T8IS120/N/AS/BULK	4	-	-	-	-	GOOD	-	GOOD	-
SUNPARK	SL15T	2	GOOD	-	GOOD	-	-	-	-	-
UNIVERSAL	B232IUNVHP-N	2	GOOD	GOOD	GOOD	GOOD	-	-	-	-

COMPATIBLE BALLASTS (347V/480V):

MANUFACTURE	BALLAST PART #	# OF LAMPS	1 LAMP LOAD		2 LAMPS LOAD		3 LAMPS LOAD		4 LAMPS LOAD	
			INPUT VOLTAGE		INPUT VOLTAGE		INPUT VOLTAGE		INPUT VOLTAGE	
			347V	480V	347V	480V	347V	480V	347V	480V
ADVANCE	GOPA-2P32-LW-SC	2	GOOD	-	GOOD	-	-	-	-	-
	GOPA-4P32-LW-SC	4	-	-	-	-	GOOD	-	GOOD	-
	GOPA-4P32-SC	4	-	-	-	-	GOOD	-	GOOD	-
FUSION	FB232347E-HE	2	GOOD	-	GOOD	-	-	-	-	-
	FB232347E-L	2	GOOD	-	GOOD	-	-	-	-	-
	FB232347E-PPS-HE	2	GOOD	-	GOOD	-	-	-	-	-
	FB432347E-HE	4	-	-	-	-	GOOD	-	GOOD	-
	FB432347E-L	4	-	-	-	-	GOOD	-	GOOD	-
	FB432347E-PPS-HE	4	-	-	-	-	GOOD	-	GOOD	-
GE	GE232MAX347-H	2	GOOD	-	GOOD	-	-	-	-	-
	GE332MAX347-H	3	-	-	GOOD	-	GOOD	-	-	-

COMPATIBLE BALLASTS CONTINUED (347V/480V):

MANUFACTURE	BALLAST PART #	# OF LAMPS	1 LAMP LOAD		2 LAMPS LOAD		3 LAMPS LOAD		4 LAMPS LOAD	
			INPUT VOLTAGE		INPUT VOLTAGE		INPUT VOLTAGE		INPUT VOLTAGE	
			347V	480V	347V	480V	347V	480V	347V	480V
OSRAM	QHE 2x32 T8/347 ISL-SC	2	GOOD	-	GOOD	-	-	-	-	-
	QHE 2x32 T8/347 ISN-SC	2	GOOD	-	BAD	-	-	-	-	-
STANDARD	E232T8IS347/H/90C	2	BAD	-	BAD	-	-	-	-	-
	E232T8IS347/L/BULK	2	GOOD	-	GOOD	-	-	-	-	-
	E232T8IS347/N/BULK	2	GOOD	-	GOOD	-	-	-	-	-
	E432PI347G01	4	-	-	-	-	GOOD	-	GOOD	-
	E432T8IS347/L/BULK	4	-	-	-	-	GOOD	-	GOOD	-
	E432T8IS347/N	4	-	-	-	-	GOOD	-	GOOD	-
	E432T8IS347/N/BULK	4	-	-	-	-	GOOD	-	GOOD	-
	E432T8IS347/H/90C	4	-	-	-	-	BAD	-	BAD	-
ULTRASAVE	MR232347	2	GOOD	-	GOOD	-	-	-	-	
UNIVERSAL	B232I347HE-A	2	GOOD	-	-	-	-	-	-	-
	B432I347HE-A	4	-	-	-	-	GOOD	-	GOOD	-

COMPATIBLE DIMMING BALLASTS:

MANUFACTURE	BALLAST PART #	# OF LAMPS	1 LAMP LOAD		2 LAMPS LOAD		3 LAMPS LOAD		4 LAMPS LOAD	
			INPUT VOLTAGE		INPUT VOLTAGE		INPUT VOLTAGE		INPUT VOLTAGE	
			120V	277V	120V	277V	120V	277V	120V	277V
ADVANCE	REZ-2S32-SC	2			-	GOOD	-	-	-	-
GE	GE332MAX90-V60	3		-	GOOD	GOOD	GOOD	GOOD	-	-
KEYSTONE	KTEB-232-UV-PS-VDIM	2		-	GOOD	GOOD	-	-	-	-
OSRAM	QHE 2x32T8/UNV DIM-TC	2	-	-	GOOD	GOOD	-	-	-	-
UNIVERSAL	B232SR120S30	2	-	-	GOOD	-	-	-	-	-

COMPATIBLE EMERGENCY BALLASTS:

MANUFACTURE	BALLAST PART #
LOTA	ISL-540
	ISL-54
	I-320
	ELI-S-20
KEYSTONE	KT-EMRG-500
	KT-EMRG-1400-SL
	KT-EMRG-1300-T5
PHILIPS BODINE	B50
	ELI-S-20
	LP600
	B50ST