

PROJECT NAME: \_\_\_\_\_ CAT. #: \_\_\_\_\_  
 NOTES: \_\_\_\_\_ FIXTURE SCHEDULE: \_\_\_\_\_

**Value Canopy/Parking Garage Luminaire** *Wattage and Color Selectable*



**30W**



**40/60/75W**

**Product Description**

The Value Series Canopy/Parking fixture is an economical retrofit solution for up to 150W HID garage and canopy luminaires. Offered in multiple wattages, with different lens options for parking garage and canopy distributions, the CPV can address a variety of canopy/parking lighting needs. The series comes with photocell standard and a factory installed motion sensor option. Standard finishes are bronze or white with an option for additional colors.

**Features**

- Wattage/CCT Selectable
- CRI ≥ 80
- 120-277V 50/60Hz
- Die cast aluminum housing with corrosion resistant polyester powder coat finish
- UV stabilized impact resistant polycarbonate lens
- 6kV integral surge protection
- Choice between Canopy and Parking Lens
- Integral Photocell with on/off switch Factory installed motion sensor option

**Ordering Structure**

FAMILY	WATTAGE (NOMINAL)	VOLTAGE	DISTRIBUTION	-	CCT	COLOR	OPTIONS	COMPLIANCE
CPV = Value Canopy/Parking	30 = 30W	U = 120-277V	C = Canopy P = Parking	-	CS = CCT Selectable 3K/4K/5K	B = Dark Bronze W = White  <i>Contact MaxLite for additional finishes</i>	PC = Integral Photocell (on/off switch) Standard  MS = Motion Sensor (factory installed)	BLANK = Not TAA TAA = TAA Compliant
	75 = 40/60/75W				WCS Wattage & = CCT Selectable 3K/4K/5K			



## Value Canopy/Parking Garage Luminaire

*Wattage and Color Selectable*

### DLC 5.1

MODEL NUMBER	DLC ID NUMBER	PRIMARY USE
CPV30UC-CS[ALL OPTIONS]	S-M6RP5C	Fuel Pump Canopy Luminaires
CPV30UP-CS[ALL OPTIONS]	S-01WK2P	Parking Garage Luminaires
CPV75UC-CS[ALL OPTIONS]	S-326KJZ	Fuel Pump Canopy Luminaires
CPV75UP-CS[ALL OPTIONS]	S-8K77RL	Parking Garage Luminaires

### Specifications

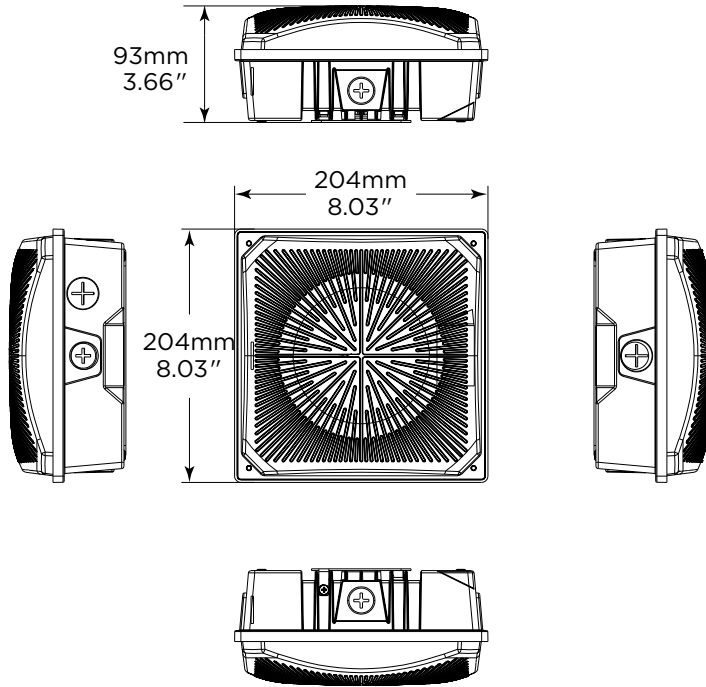
	CP30	CP75
Nominal Wattage (W)	30W	75W
Nominal Lumens (lm) *	3,900-4,470 lm	8,720-9,690 lm
Nominal Efficacy (lm/W) *	130-149 lm/W	122-141 lm/W
CRI	≥ 80	
Color Temperature (K)	Selectable: 3000K / 4000K / 5000K	
Input Voltage	120-277V AC	
Surge Protection	6kV integral	
Dimming	0-10V dimming capability	
Lumen Maintenance (L70) hrs	100,000 Hrs	
Housing	Die cast aluminum with corrosion resistant polyester powder coat	
Lens	Impact and shatter resistant, UV stabilized polycarbonate	
Mounting	Metal plate with hinge to hold for wiring	
Operating Temperature	-40°F - +122°F (-40°C - +50°C)	
Weight	1.77kg / 3.9 lbs	2.85kg / 6.3 lbs
Listings	UL, FCC, RoHS, DLC 5.1 Premium	
Environment	IP65	
Warranty	5 years. Check <a href="http://maxlite.com/warranties">maxlite.com/warranties</a> for details.	

\* Low end = 3000K, High end = 4000K/5000K

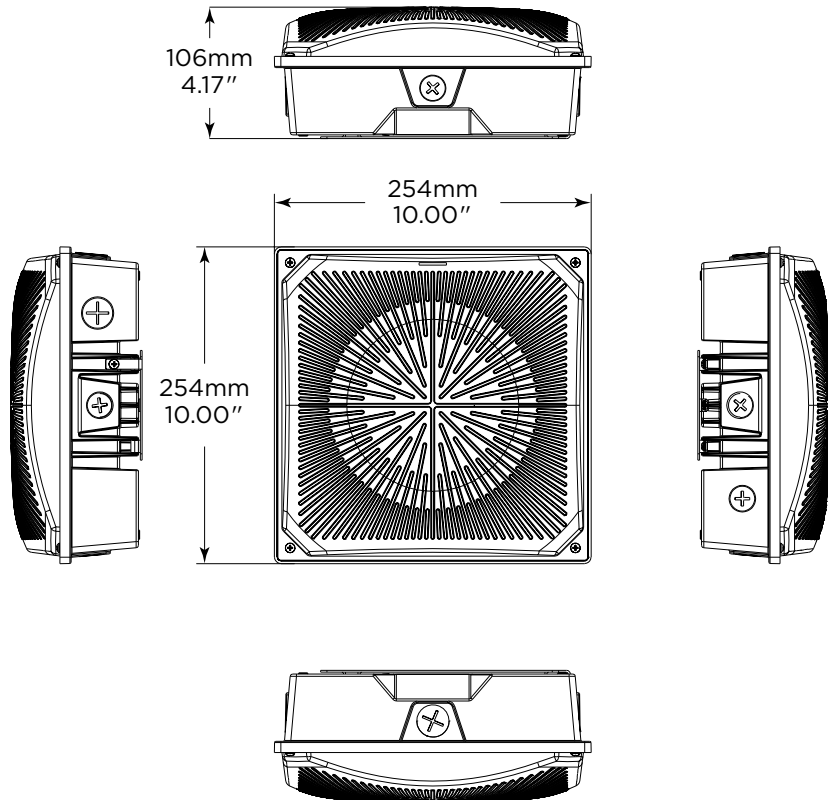
## Value Canopy/Parking Garage Luminaire Wattage and Color Selectable

### Dimensions

#### 30W Canopy & Parking



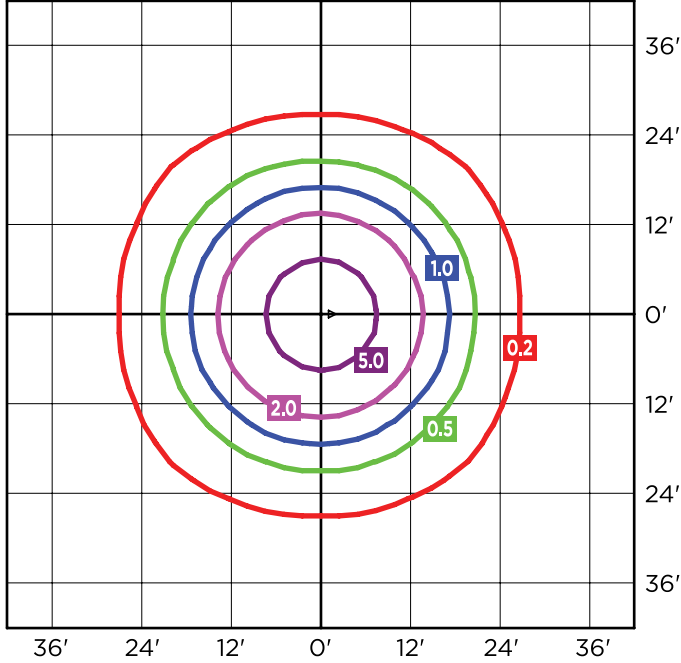
#### 75W Canopy & Parking



# Value Canopy/Parking Garage Luminaire Wattage and Color Selectable

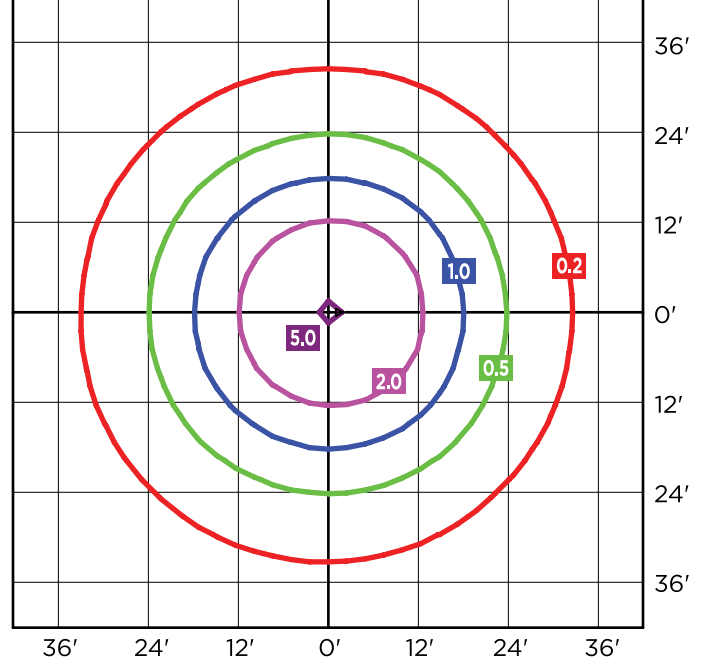
### Photometrics

#### 30W Canopy 12 ft. Mounting Height



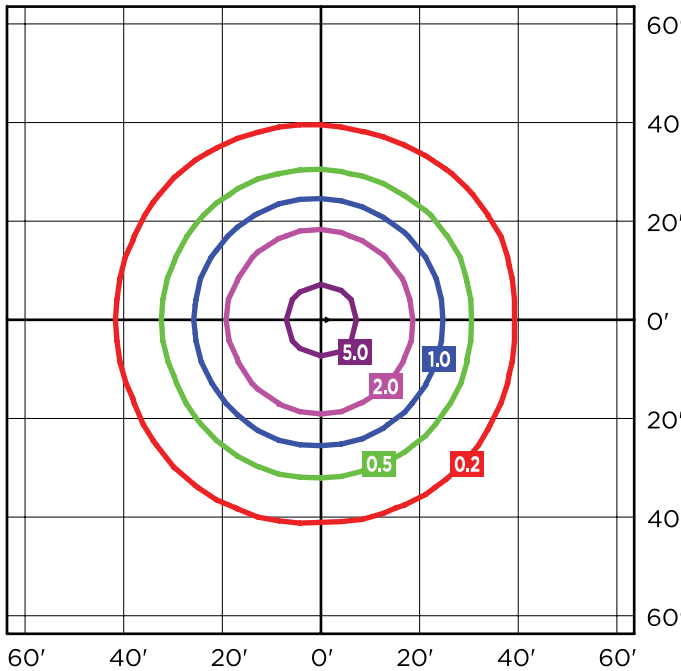
Luminaire Lumens = 4,467  
 Mounting Height = 12.00 Ft  
 Maximum Calculated Value = 8.48 Fc

#### 30W Parking 12 ft. Mounting Height



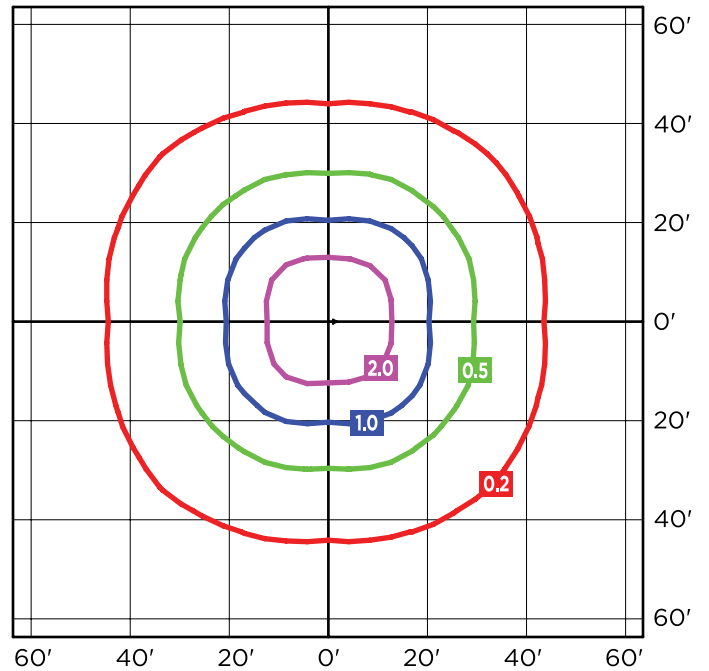
Luminaire Lumens = 4,436  
 Mounting Height = 12.00 Ft  
 Maximum Calculated Value = 5.14 Fc

#### 75W Canopy 22 ft. Mounting Height



Total Lamp Lumens = 10,121  
 Mounting Height = 22.00 Ft  
 Maximum Calculated Value = 6.25 Fc

#### 75W Parking 22 ft. Mounting Height



Luminaire Lumens = 10,704  
 Mounting Height = 22.00 Ft  
 Maximum Calculated Value = 2.61 Fc