

PROJECT NAME: _____ CAT. #: _____
 NOTES: _____ FIXTURE SCHEDULE: _____

120-277V Network Power Pack



NPP-300W



NPPSL-PSW

c-Max Overview

c-Max Network lighting controls features a patent pending plug-and-play interface that allows for easy field installation of low voltage nodes and sensors to create an affordable luminaire lighting control solution. Sensors integrated with occupancy, daylight harvesting, and other control capabilities help achieve energy code compliance.

Features

- Luminaire Level Lighting Control (LLLC) enabled with wireless bluetooth technology
- Easy Commissioning with c-Max App (Available in IOS and Android)
- Local Bluetooth Network with no gateway needed
- Individual Addressability and/or Grouping (Lesser of Up to 300W or 8 units whichever comes first)
- Ability to create scenes for more customized dimming scenarios
- High-Trim/Tuning sets the maximum light level based on customer requirements in each space
- NPP-300W can be used as a standalone, or in conjunction with an Occupancy PIR Sensor (NPPSL-PSW, Item sold separately)
- 5 Year Warranty

Applications:

Ideal for retrofit applications with existing 0-10V LED luminaires:

- Downlights
- Pendant Lights
- Lowbays/Highbays
- Track Lighting

Ordering Information

| MODEL NUMBER | ORDER CODE |
|--------------|------------|
| NPP-300W | 106318 |
| NPPSL-PSW | 107788 |

Specifications

| | NPP-300W |
|-----------------------|--|
| OPERATING VOLTAGE | 120-277V |
| MAXIMUM LOAD | 2.5A, 300W Max. for LED driver only |
| POWER CONSUMPTION | 5W |
| LOAD SWITCHING | Zero-cross Hybrid Switching |
| CONTROL TECHNOLOGY | BLE Control Node/Optional PIR |
| CONTROL OUTPUT | 0-10V |
| SINKING CURRENT | 25mA |
| AUX POWER OUTPUT | 12Vdc 200mA |
| RADIO FREQUENCY | 2.4GHz ± 75MHz |
| WIRELESS STANDARD | BLE 4.2 MESH IEEE 802.15.1 |
| PROGRAMMING | c-Max Mobile App (IOS and Android) |
| CYBERSECURITY | UL1376 Bronze Rating Pending |
| ENCRYPTION | AES 128-bit |
| MESH RANGE | 100ft node-to-node and 50ft node-to-device (Commissioning) |
| SAFETY | cULus Listed E511069 Light-emitting-diode Controllers |
| FCC | FCC ID: 2AZRDCMAX2021 |
| OPERATING TEMPERATURE | -40°F to 130°F / -40°C to 55°C |
| OVERALL DIMENSIONS | 81.8mm x 43.4mm x 31.75 mm |
| COLOR | White |
| WEIGHT | 2.75oz |

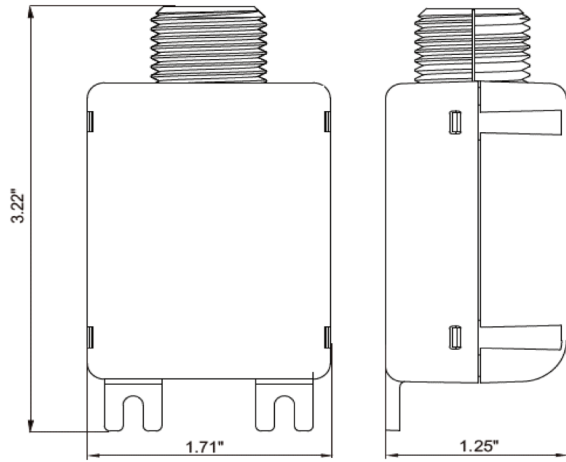


5-year standard warranty (further details available at www.maxlite.com/warranties) Product may be eligible for a warranty extension to 10 years, for an additional fee. Contact MaxLite for details.

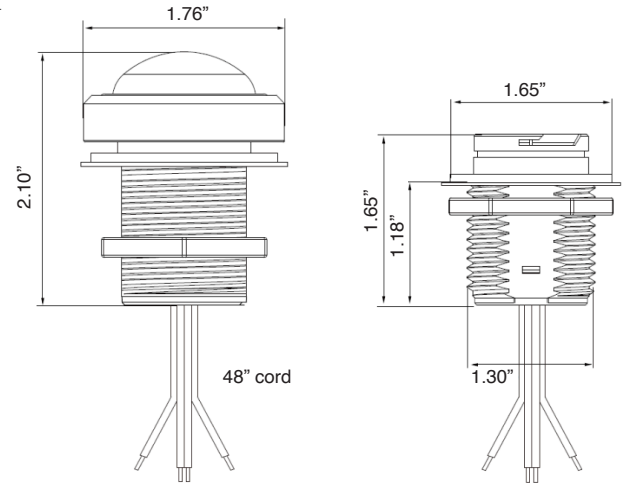
120-277V Network Power Pack

Product Dimensions

NPP-300W

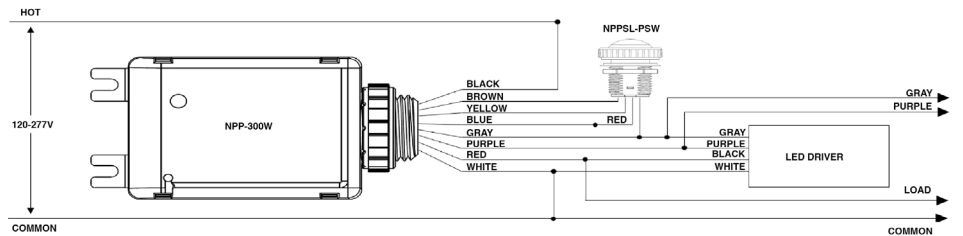
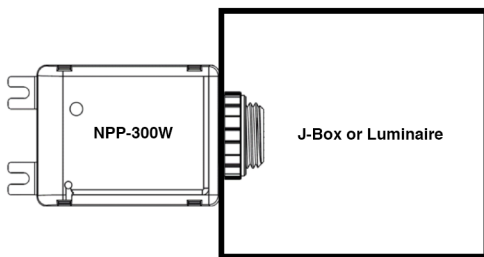


NPPSL-PSW

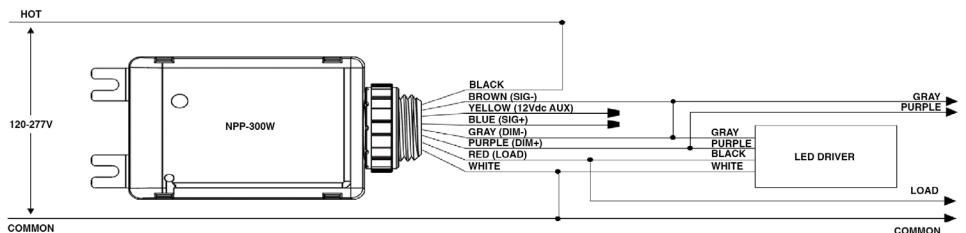
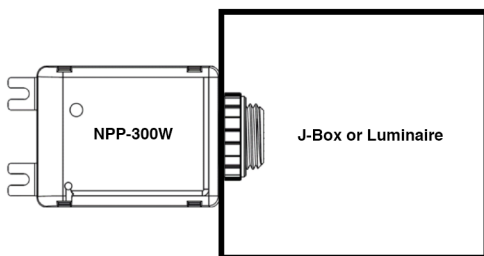


Wiring Diagrams

WIRING DIAGRAM WITH NPPSL-PSW*



WIRING DIAGRAM WITHOUT NPPSL-PSW*



*NPP-300W must be externally mounted to a junction box or luminaire.

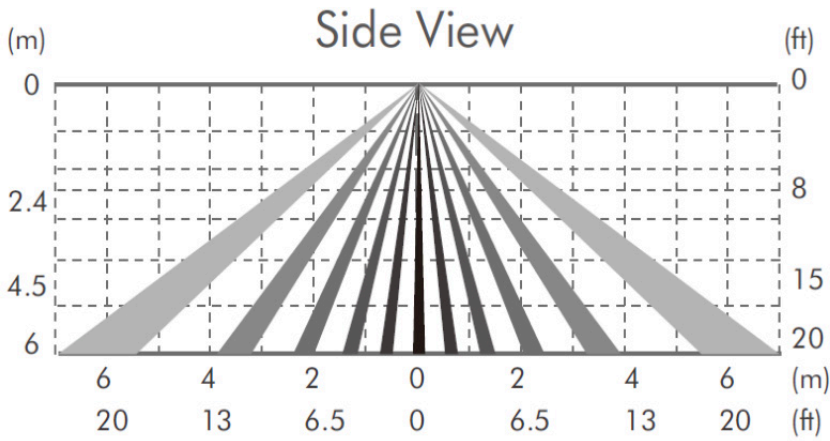
120-277V Network Power Pack

PIR Sensor Features

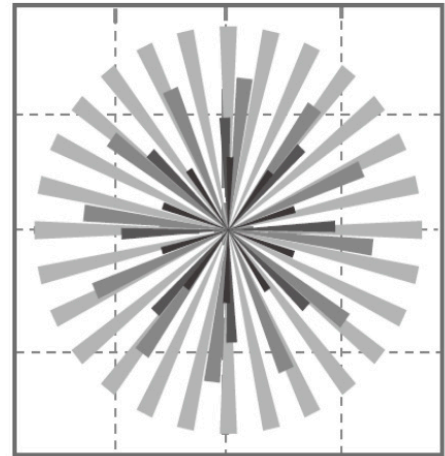
| | |
|-----------------------|--|
| CONTROL TECHNOLOGY | Occupancy PIR |
| INFRARED SENSOR | Omni-directional quad element pyroelectric |
| CONTROL OUTPUT | 0-10V |
| DETECTABLE SPEED | 1-10 ft/sec (0.3-3 m/sec) |
| MOUNTING HEIGHT | Up to 20ft |
| DETECTION RANGE | Up to 40ft Diameter |
| OPERATING TEMPERATURE | -40°F to 158°F |
| FCC | FCC ID: 2AZRDCMAX2021 |
| WARRANTY | 5 Years |
| OVERALL DIMENSIONS | 53.34mm x 44.66mm |
| COLOR | White |
| WEIGHT | 3oz |

Detection Coverage

NPPSL-PSW



Top View



| | | | | | |
|-----------------------|--------|----------|---------|-----------|---------|
| MOUNTING HEIGHT | ft (m) | 8' (2.4) | 10' (3) | 15' (4.6) | 20' (6) |
| MAX COVERAGE DIAMETER | ft (m) | 8' (2.4) | 10' (3) | 15' (4.6) | 20' (6) |

Commissioning

c-Max mobile App makes it easy to pair devices, create groups, set scenes/schedules, customize dimming levels, and adjust high trim based on application needs.

Visit www.maxlite.com/cmax for How-to-Videos and a comprehensive commissioning guide.

