

GuardMax Emergency Motion Sensor Security Light Emergency Exit Series

PROJECT NAME: _____ CAT. #: _____
 NOTES: _____ FIXTURE SCHEDULE: _____

PRODUCT DESCRIPTION:

The GuardMax Emergency Motion Sensor Security Light provides illumination for security or egress purposes by detecting motion to activate at nighttime. The LED heads are adjustable to accommodate different applications. The battery back up provides security lighting during power failures and the motion sensor saves power providing longer illumination time

FEATURES:

- High impact UV stabilized flame rated thermoplastic housing UL94 V-0
- 100-300V universal voltage
- CCT: 6000-6500K
- Lumens: 123 per head
- Nickel Cadmium (NiCad) battery meets UL924 90 minute emergency lighting requirement
- On/off PIR motion sensor - 130° detection angle up to 30', hold time 16 minutes when motion detected
- Test switch and AC-On indicator included
- Two adjustable LED heads
- Operating temperatures 10°C-30°C
- Built in photocell turns motion sensor on when dark
- White Finish

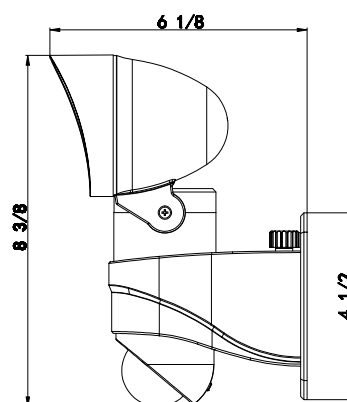
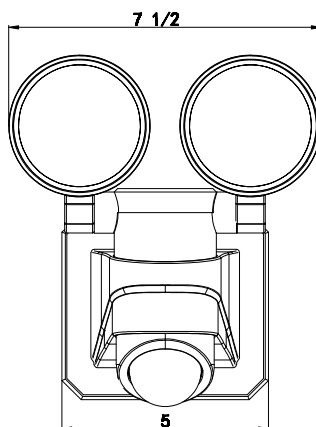
CERTIFICATIONS:

- UL924 Listed for Wet Location
- FCC listed

WARRANTY:

5-year standard warranty* (further details available at www.maxlite.com/warranties)

*Product may be eligible for a warranty extension to 10 years, for an additional fee. Contact MaxLite for details.



ORDERING INFORMATION:

PRODUCT IMAGE	ORDER NUMBER	MODEL	DESCRIPTION	PERFORMANCE
	105537	EML-MS	EMERGENCY SECURITY LIGHT, 2 ADJUSTABLE HEADS WITH MOTION SENSOR	1.7W draw, 123 Lumens per head