

MaxLite® Linear Strip - LS2 Series



General Safety Information

- To reduce the risk of death, personal injury or property damage from fire, electric shock, falling parts, cuts/abrasions, and other hazards read all warnings and instructions included with and on the fixture box and all fixture labels.
- Before installing, servicing, or performing routine maintenance upon this equipment, follow these general precautions.
- Commercial installation, service and maintenance of luminaires should be performed by a qualified licensed electrician.
- For Residential installation: If you are unsure about the installation or maintenance of the luminaires, consult a qualified licensed electrician and check your local electrical code.
- To prevent wiring damage or abrasion, do not expose wiring to edges of sheet metal or other sharp objects.
- Do not make or alter any open holes in an enclosure of wiring or electrical components during kit installation.
- **DO NOT INSTALL DAMAGED PRODUCT!**
- Suitable for Dry or Damp location

WARNING:

RISK OF ELECTRICAL SHOCK

- **Turn off electrical power at fuse or circuit breaker box before wiring fixture to the power supply.**
- **Turn off the power when you perform any maintenance.**
- **Verify that supply voltage is correct by comparing it with the luminaire label information.**
- **Make all electrical and grounded connections in accordance with the National Electrical Code and any applicable local code requirements.**
- **All wiring connections should be capped with UL approved wire connectors.**

CAUTION:

RISK OF INJURY

- **Wear gloves and safety glasses at all times when removing luminaire from carton, installing, servicing or performing maintenance.**
- **Avoid direct eye exposure to the light source while it is on.**
- **Account for small parts and destroy packing material, as these may be hazardous to children.**

CAUTION:

RISK OF FIRE

- **Keep combustible and other materials that can burn away from luminaire and lamp/lens.**
- **MIN 90°C SUPPLY CONDUCTORS.**

Models:

This instruction manual applies to the LS2 Series



Picture is for illustration purposes only. Your model may vary.

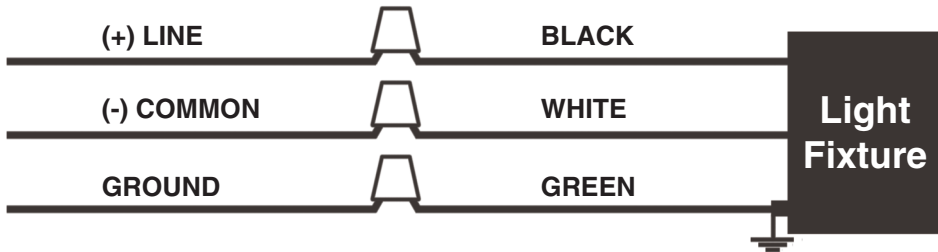


MaxLite® Linear Strip - LS2 Series

Wiring Instructions

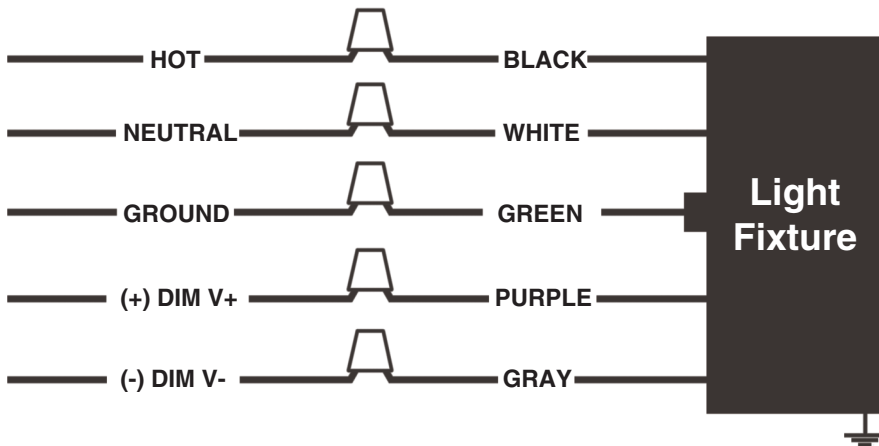
CAUTION: Turn off electrical power at fuse or circuit breaker box before wiring fixture to the power supply.

120-277V Wiring:



- 1.) Connect the black fixture wire to the (+) LINE supply wire.
- 2.) Connect the white fixture wire to the (-) COMMON supply wire.
- 3.) Connect the green fixture wire to supply ground wire.

0-10V Dimmable Wiring:



- 1.) Connect the black fixture wire to the HOT LINE supply wire.
- 2.) Connect the white fixture wire to the NEUTRAL supply wire.
- 3.) Connect the green fixture wire to supply ground wire.
- 4.) Connect the purple fixture wire to the (V+) DIM wire.
- 5.) Connect the gray fixture wire to the (V-) DIM wire.



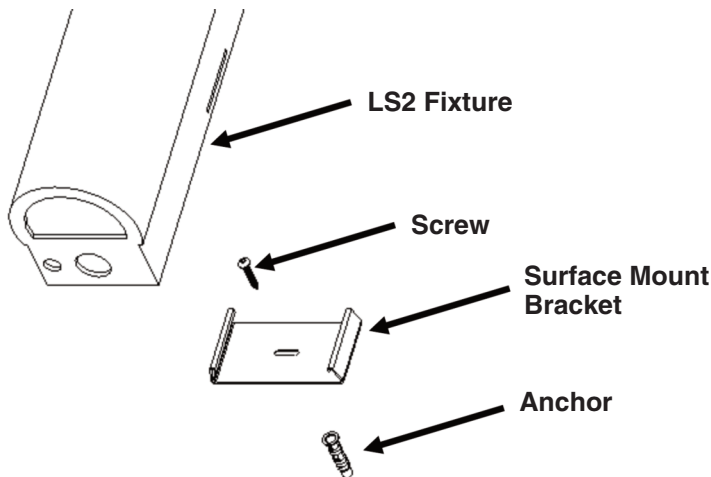
MaxLite® Linear Strip - LS2 Series

Surface Mount Installation Instructions

1. Begin by drilling 2 x .125" holes in the mounting surface in the positions marked in the table below.

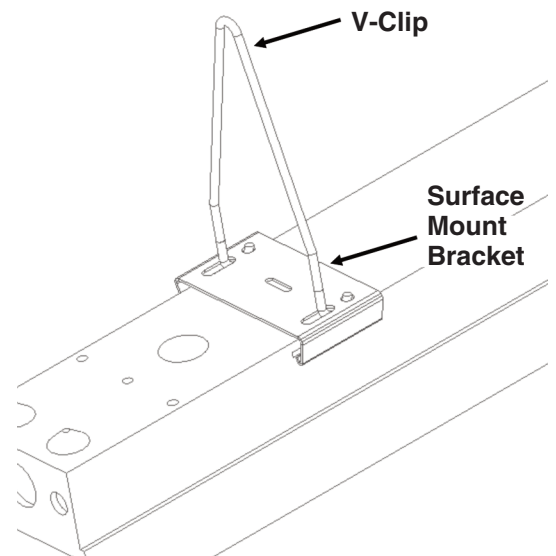
Fixture	Distance from J-box 1	Distance from J-Box 2
LS2-96	26"	62"
LS2-48	20.875"	20.875"

2. Secure the 2 surface mounting brackets to the surface using the screws provided.
3. Place the junction box covers on the fixture using the bolts provided.
4. Do the wiring connections, place the wire nuts into the junction box, and snap the fixture into the surface mount brackets.
5. (Optional) depending on the material of the surface, 2 anchors are provided to use in the wall before mounting surface mount bracket



Chain Mounting Installation Instructions

1. Clip the surface mount bracket to the fixture.
2. Feed the V-Clip through the holes on the edge of the bracket.
3. Use the chain suspended from the ceiling to mount the fixture. (Chain and other equipment not provided.)
4. Wire your fixture to the junction box.



MaxLite® Linear Strip - LS2 Series



Warranty Information

MaxLite Inc. warrants its products for a minimum period of **FIVE (5)** years from the date of original purchase from MaxLite or its authorized distributor/dealer (the "Warranty Period"), as follows: If a Product fails to operate during the Warranty Period as a result of defects in materials or workmanship, MaxLite will, at its option, repair it, replace it with the same or like Product.

Please refer to Maxlite's website (at <http://maxlite.com/resources/warranties>) for the complete terms and conditions of our warranty.

Limitation of Liability

THE FOREGOING WARRANTY IS EXCLUSIVE, AND IS THE SOLE REMEDY FOR ANY AND ALL CLAIMS, WHETHER IN CONTRACT, IN TORT OR OTHERWISE ARISING FROM THE FAILURE OF PRODUCT AND IS IN LIEU OF ALL OTHER WARRANTIES, EXPRESS OR IMPLIED, INCLUDING ALL WARRANTIES OF MERCHANTABILITY OR FITNESS FOR A PARTICULAR PURPOSE, WHICH WARRANTIES ARE HEREBY EXPRESSLY DISCLAIMED TO THE EXTENT PERMITTED BY LAW AND, IN ANY EVENT, SHALL BE LIMITED TO THE WARRANTY PERIOD SPECIFIED ABOVE. THE LIABILITY OF MAXLITE SHALL BE LIMITED TO THE TERMS OF THE EXPRESS WARRANTY SET FORTH HEREIN. IN NO EVENT WILL MAXLITE BE LIABLE FOR ANY SPECIAL, INCIDENTAL OR CONSEQUENTIAL DAMAGES INCLUDING, WITHOUT LIMITATION, DAMAGES RESULTING FROM LOSS OF USE, PROFITS, BUSINESS OR GOODWILL, LABOR COSTS, REMOVAL OR INSTALLATION COSTS, DECREASE IN THE LIGHT OUTPUT OF THE LAMP, AND/OR DETERIORATION IN THE LAMP'S PERFORMANCE, WHETHER OR NOT MAXLITE HAS BEEN ADVISED OF THE POSSIBILITY THEREOF. UNDER NO CIRCUMSTANCES SHALL MAXLITE'S ENTIRE LIABILITY FOR A DEFECTIVE PRODUCT EXCEED THE PURCHASE PRICE OF THAT PRODUCT. WARRANTY SERVICES PROVIDED UNDER THESE TERMS AND CONDITIONS DO NOT ENSURE THE UNINTERRUPTED OPERATION OF PRODUCTS; MAXLITE SHALL NOT BE LIABLE FOR DAMAGES CAUSED BY ANY DELAYS INVOLVING WARRANTY SERVICE.

This Limited Warranty gives you specific legal rights and you may also have other rights that may vary from state to state. Because some states or jurisdictions do not allow the exclusion or limitation of liability for consequential or incidental damages, this limitation may not apply to you.