

PHOTOCELL SENSOR



PIR-PT



DTDS-PT



MS-PT

PRODUCT DESCRIPTION:

Dusk to dawn and motion control photocell sensors help increase energy savings by managing light output based on ambient light and occupancy.



FEATURES:

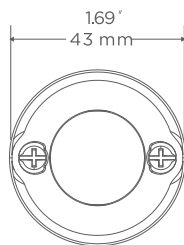
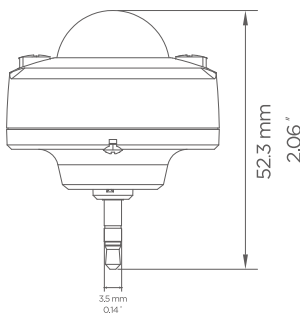
- Detection range-33ft. for MS-PT and PIR-PT
- Installed vertically
- MS-PT frequency 5.8GHz + 75MHX
- DTDS-PT- reaction lux 20-50-100-300 lux

WARRANTY:

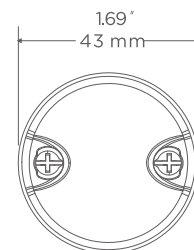
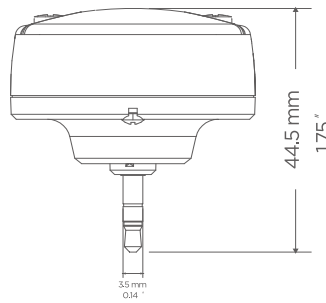
5-year standard warranty (further details available at www.maxlite.com/warranties)
Product may be eligible for a warranty extension to 10 years, for an additional fee. Contact MaxLite for details.

DIMENSIONS

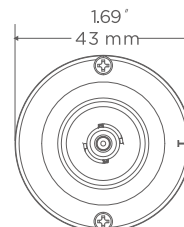
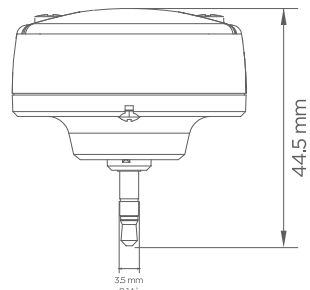
PIR-PT



DTDS-PT



MS-PT



SPECIFICATIONS		PIR-PT	DTDS-PT	MS-PT
ITEM	SPECIFICATION	DETAILS		
GENERAL PERFORMANCE	Description	PIR Sensor	Photocell Sensor	Microwave Sensor
	Distribution/ Beam Angle	120°		
	Current	20mA		
ELECTRICAL	Power Factor	≥0.9		
	Input Voltage	15V DC + -2V		
	Dimming	0-20%-40%-60%	10-20%-40%-60%	
	Output Voltage	0-10V		
PHYSICAL	Hold Time	30s-90s-5min-10min	1min-5H-8H	30s-90s-5min-10min
	Operating Temperature	4°F to 95°F	-4°F to 140°F	
QUALIFICATION	Environment	Corridor, Warehouse, Parking lot, Showroom	Parking lot, Gym, Street light, Passage	Corridor, Stairwell, Restroom, Courtyard, Doorway, Parking lot, Gas station, Warehouse
	Warranty	5 year warranty*		