



MaxLite® LED Linear HighBay Fixtures

General Safety Information

- To reduce the risk of death, personal injury or property damage from fire, electric shock, falling parts, cuts/abrasions, and other hazards read all warnings and instructions included with and on the fixture box and all fixture labels.
- Before installing, servicing, or performing routine maintenance upon this equipment, follow these general precautions.
- Commercial installation, service and maintenance of luminaires should be performed by a qualified licensed electrician.
- DO NOT INSTALL DAMAGED PRODUCT!

WARNING:

RISK OF ELECTRICAL SHOCK

- Turn off electrical power at fuse or circuit breaker box before wiring fixture to the power supply.
- Turn off the power when you perform any maintenance.
- Verify that supply voltage is correct by comparing it with the luminaire label information.
- Make all electrical and grounded connections in accordance with the National Electrical Code and any applicable local code requirements.
- All wiring connections should be capped with UL approved wire connectors.

CAUTION:

RISK OF INJURY

- Wear gloves and safety glasses at all times when removing luminaire from carton, installing, servicing or performing maintenance.
- Avoid direct eye exposure to the light source while it is on.
- Account for small parts and destroy packing material, as these may be hazardous to children.

CAUTION:

RISK OF FIRE

- Keep combustible and other materials that can burn away from luminaire and lamp/lens.
- MIN 90°C SUPPLY CONDUCTORS.



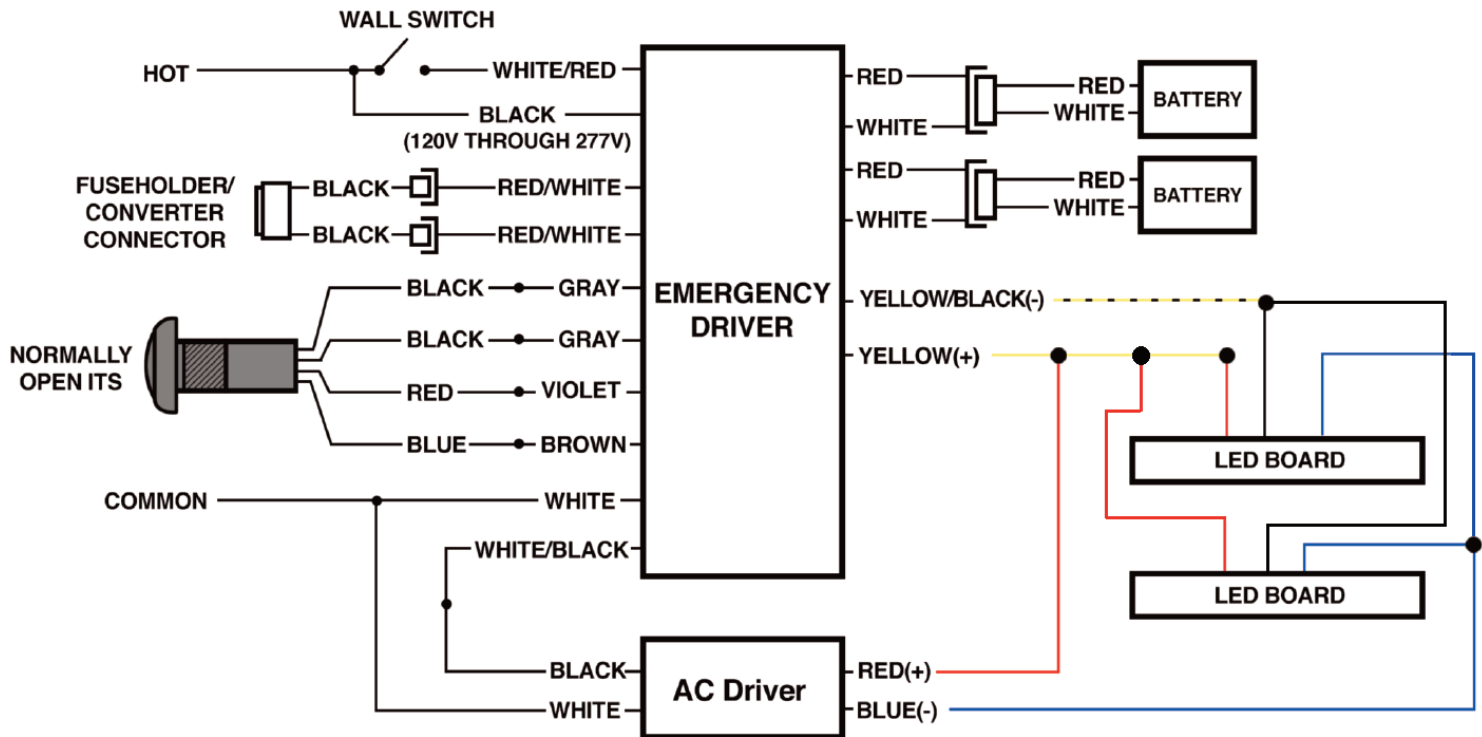
MaxLite® LED Linear HighBay Fixtures

Wiring Instructions



Connect the green (ground), black (line) and white (neutral) wires of the AC line to the similarly colored wires of the fixture's power supply using UL listed connectors. Place all connections and exposed wire inside of fixture and reattach power access plate.

EM Wiring Instructions





MaxLite® LED Linear HighBay Fixtures

Mounting Instructions

CAUTION: Turn off electrical power at fuse or circuit breaker box before wiring fixture to the power supply.

Chain Mount:

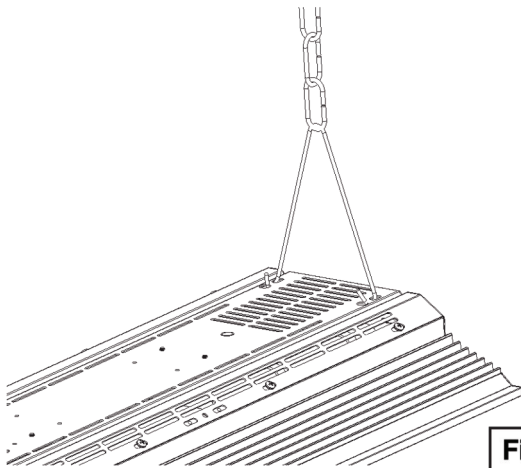


Fig. 1

Run the chain link through both V-hooks and attach the hooks onto the fixture, as shown in **Fig. 1**.

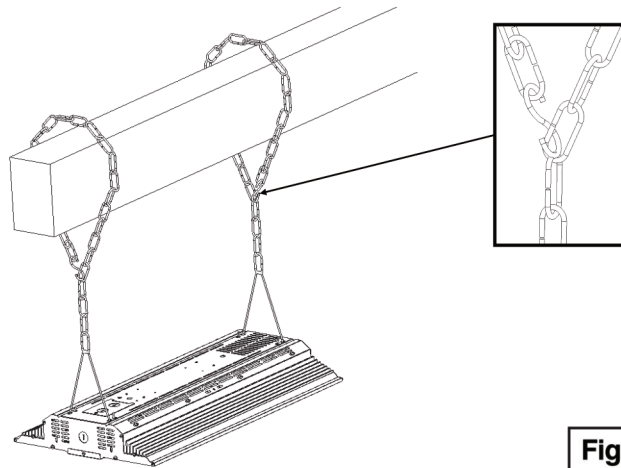


Fig. 2

Locate a secure structural member and inspect it for damage. Secure the chains around the member and lock it with the S-hook, as shown in **Fig. 2**.

Aircraft Cable Mount:

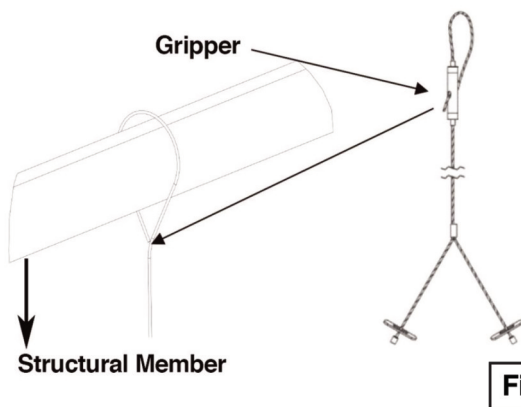


Fig. 1

Locate a structural member and inspect it for damage. Secure the aircraft cable around the member and run it through the gripper to fasten it. The cable enters and exits through the side of the gripper. Adjust the fixture height by drawing the cable through the gripper, refer to **Fig. 1**.

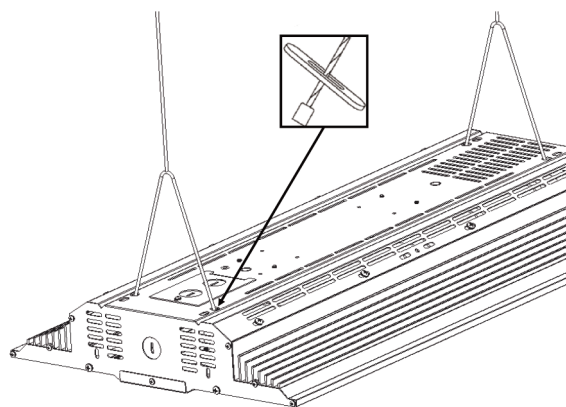


Fig. 2

Secure the bottom aircraft cable onto the LED high bay by inserting the toggles through the 0.375" hole, refer to **Fig. 2**.

MaxLite® LED Linear HighBay Fixtures

Mounting Instructions

CAUTION: Turn off electrical power at fuse or circuit breaker box before wiring fixture to the power supply.

Mono-Stem Mount:

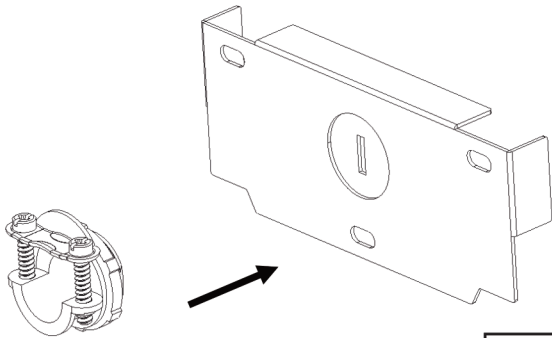


Fig. 1

Locate the secure threaded stem/pole and inspect for damage. Using the cord grip provided, securely attach the input wires onto the cover plate, as shown in **Fig. 1**.

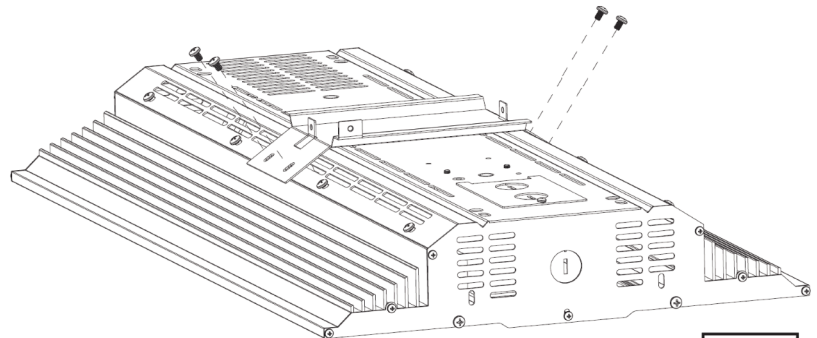


Fig. 2

Attach the base bracket onto the fixture by inserting four (4) M4 screws, as shown in **Fig. 2**.

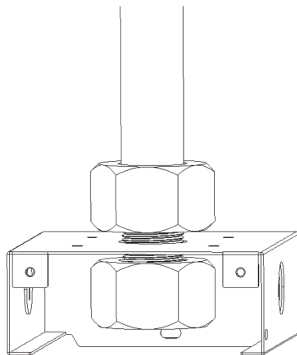


Fig. 3

Secure the top mounting bracket onto the stem/pole by placing one (1) nut before installing the bracket and one (1) nut after, as shown in **Fig. 3**.

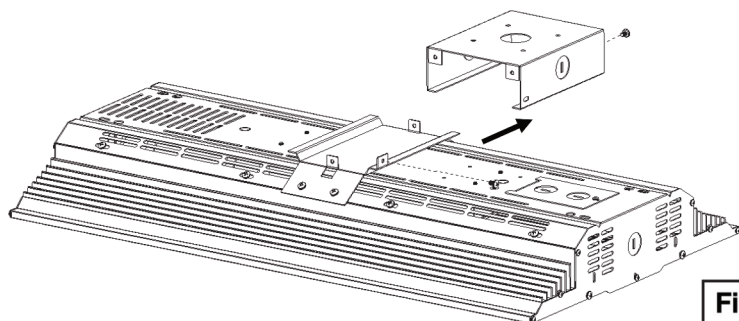


Fig. 4

Slide the assembled fixture onto the top mounting bracket attached to the stem/pole. Secure the fixture to the bracket using the two (2) screws shown in **Fig. 4**. Wire the input wires to the fixture.

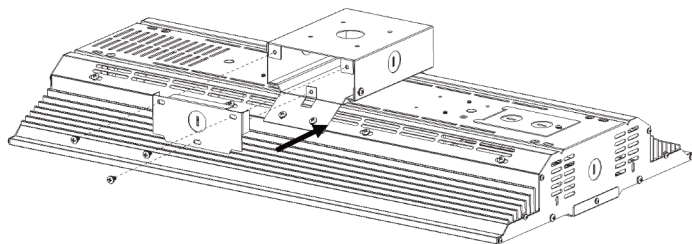


Fig. 5

Attach the cover plate by tightening three (3) M4 screws as shown in **Fig. 5**.

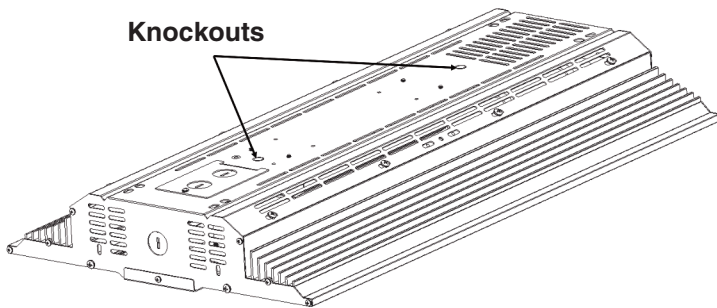


MaxLite® LED Linear HighBay Fixtures

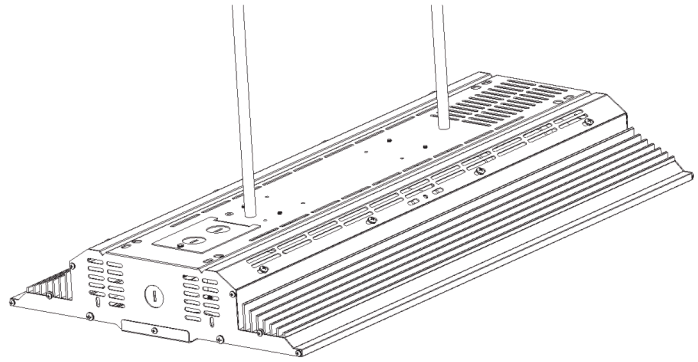
Mounting Instructions

CAUTION: Turn off electrical power at fuse or circuit breaker box before wiring fixture to the power supply.

Stem/Pendant Mount:



Locate a secure structural member and inspect it for damage. Knockout two (2) 3/8" KO.



Feed the stems into the two (2) knockout holes and secure them with nuts.

Surface Mount:

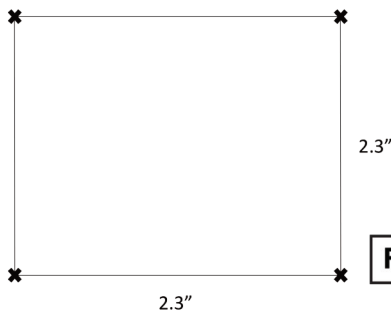


Fig. 1

Locate a secure structural member and inspect it for damage. Secure the top mounting bracket onto the flat surface using four (4) #8 screws. Use the drill pattern figure shown in **Fig. 1**.

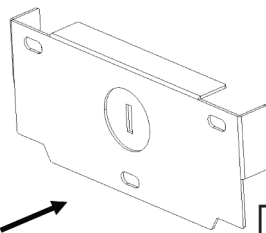
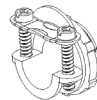


Fig. 2

Using the cord grip provided, securely attach the input wires onto the cover plate, as shown in **Fig. 2**. The cord grip can also be attached to the either side of the top mounting bracket using the knockout holes for daisy-chain applications.

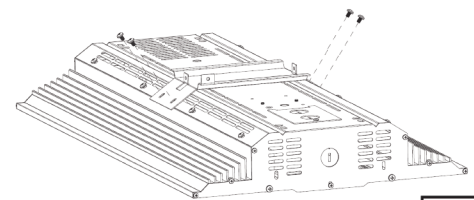


Fig. 3

Attach the base bracket onto the fixture by inserting four (4) M4 screws, as shown in **Fig. 3**.

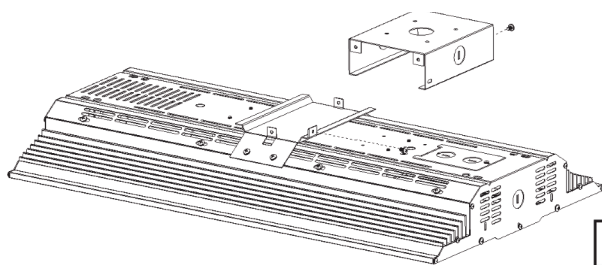


Fig. 4

Slide the assembled fixture onto the surface mounted top mounting bracket. Secure the fixture to the bracket using the two (2) screws shown in **Fig. 4**. Wire the input wires to the fixture.

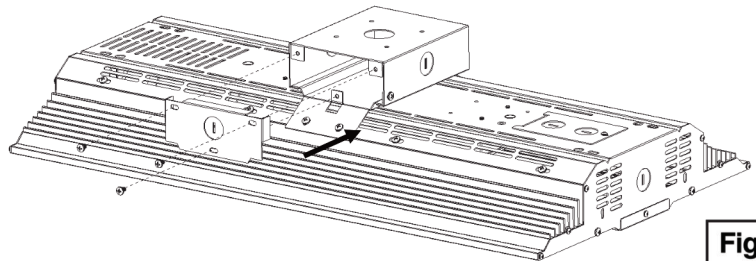


Fig. 5

Attach the cover plate by tightening three (3) M4 screws as shown in **Fig. 5**.



MaxLite® LED Linear HighBay Fixtures

Driver Access Instructions

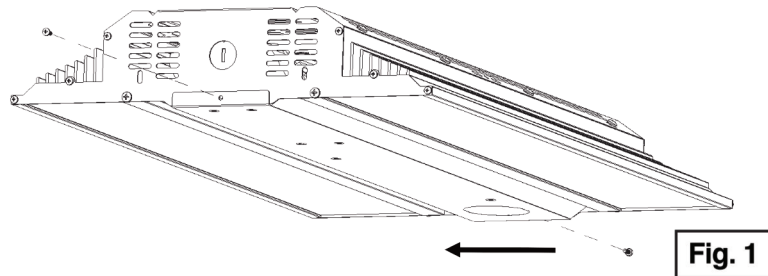


Fig. 1

Remove the two (2) bottom center screws securing the center driver plate to the fixture. Slide the driver plate to the left or right depending on the orientation of the fixture, see **Fig. 1**.

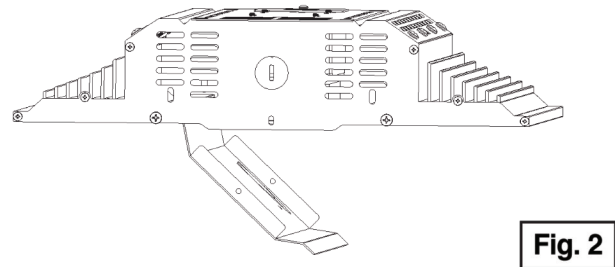


Fig. 2

The center plate will hinge from one side, as shown in **Fig. 2**, allowing access to the driver. Once repairs are done, slide the plate back into place and replace the two (2) screws.

Lens Removal Instructions

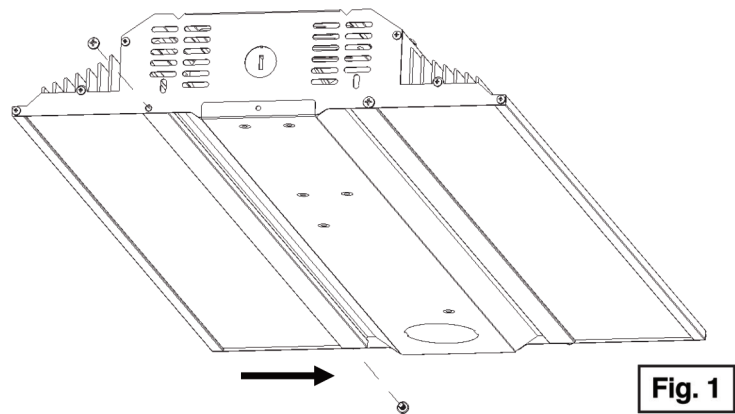


Fig. 1

Remove the two (2) bottom screws closer to the center of the fixture. Slide the lens to the right towards the center of the fixture, freeing the left side of the lens, as shown in **Fig. 1**.

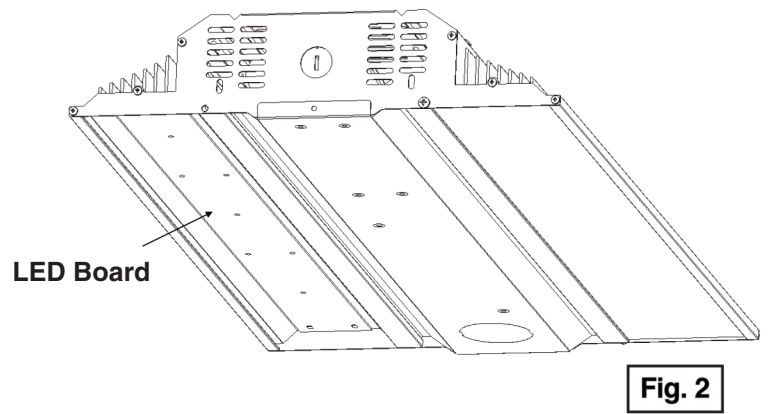


Fig. 2

Remove the lens to have access to the LED board, as shown in **Fig. 2**. Once repairs are complete, slide the lens back into place and replace the two (2) screws.

Wire Guard Instructions

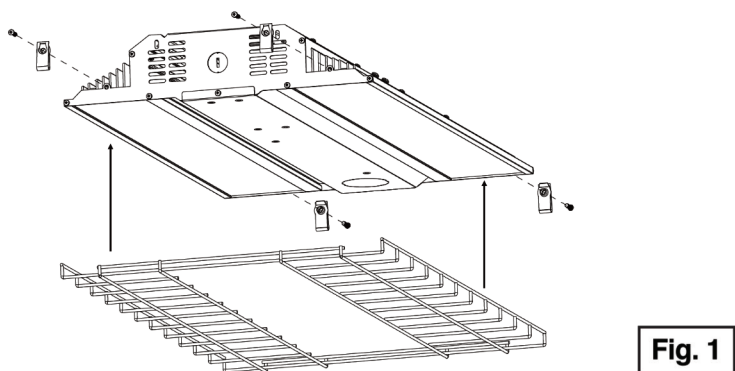


Fig. 1

Using the four (4) included M4 machine screws and four (4) included bracket clips (refer to **Fig. 1**), snap the clips onto the wire guard, and secure the clips to the fixture with the screws (**Fig. 2**).

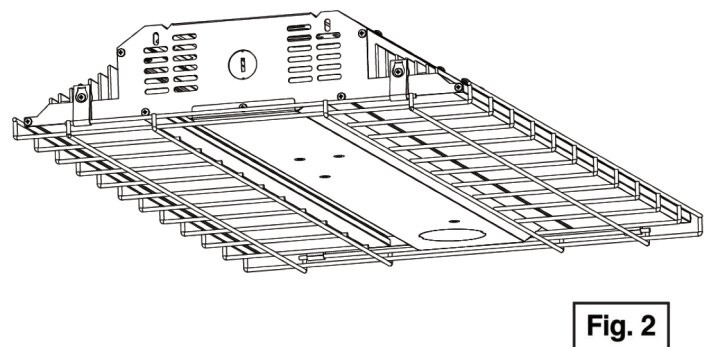


Fig. 2



MaxLite® LED Linear HighBay Fixtures

Warranty Information

MaxLite Inc. warrants its products for a minimum period of **FIVE (5)** years from the date of original purchase from MaxLite or its authorized distributor/dealer (the “Warranty Period”), as follows: If a Product fails to operate during the Warranty Period as a result of defects in materials or workmanship, MaxLite will, at its option, repair it, replace it with the same or like Product.

Please refer to Maxlite’s website (at <http://maxlite.com/resources/warranties>) for the complete terms and conditions of our warranty.

Limitation of Liability

THE FOREGOING WARRANTY IS EXCLUSIVE, AND IS THE SOLE REMEDY FOR ANY AND ALL CLAIMS, WHETHER IN CONTRACT, IN TORT OR OTHERWISE ARISING FROM THE FAILURE OF PRODUCT AND IS IN LIEU OF ALL OTHER WARRANTIES, EXPRESS OR IMPLIED, INCLUDING ALL WARRANTIES OF MERCHANTABILITY OR FITNESS FOR A PARTICULAR PURPOSE, WHICH WARRANTIES ARE HEREBY EXPRESSLY DISCLAIMED TO THE EXTENT PERMITTED BY LAW AND, IN ANY EVENT, SHALL BE LIMITED TO THE WARRANTY PERIOD SPECIFIED ABOVE. THE LIABILITY OF MAXLITE SHALL BE LIMITED TO THE TERMS OF THE EXPRESS WARRANTY SET FORTH HEREIN. IN NO EVENT WILL MAXLITE BE LIABLE FOR ANY SPECIAL, INCIDENTAL OR CONSEQUENTIAL DAMAGES INCLUDING, WITHOUT LIMITATION, DAMAGES RESULTING FROM LOSS OF USE, PROFITS, BUSINESS OR GOODWILL, LABOR COSTS, REMOVAL OR INSTALLATION COSTS, DECREASE IN THE LIGHT OUTPUT OF THE LAMP, AND/OR DETERIORATION IN THE LAMP’S PERFORMANCE, WHETHER OR NOT MAXLITE HAS BEEN ADVISED OF THE POSSIBILITY THEREOF. UNDER NO CIRCUMSTANCES SHALL MAXLITE’S ENTIRE LIABILITY FOR A DEFECTIVE PRODUCT EXCEED THE PURCHASE PRICE OF THAT PRODUCT. WARRANTY SERVICES PROVIDED UNDER THESE TERMS AND CONDITIONS DO NOT ENSURE THE UNINTERRUPTED OPERATION OF PRODUCTS; MAXLITE SHALL NOT BE LIABLE FOR DAMAGES CAUSED BY ANY DELAYS INVOLVING WARRANTY SERVICE.

This Limited Warranty gives you specific legal rights and you may also have other rights that may vary from state to state. Because some states or jurisdictions do not allow the exclusion or limitation of liability for consequential or incidental damages, this limitation may not apply to you.