



Morris CAT#: 21830-21831

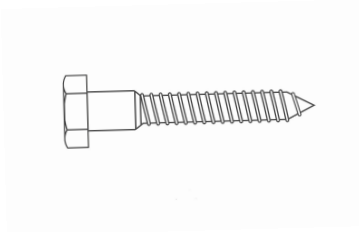
Malleable Mast Support Clamp with Lag Bolt



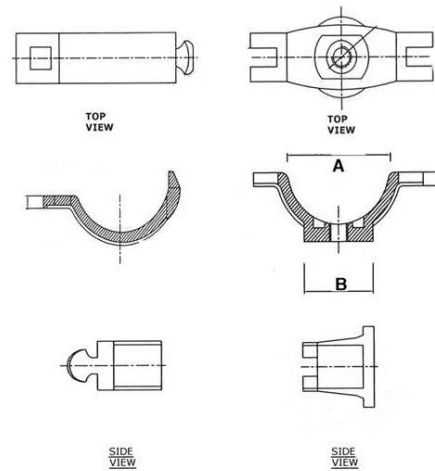
Dimensional Information

Part Number	Trade Size	Lag Bolt Size	A	B
21830	2"	2-3/8" (2.375")	2.48"	0.41"
21831	2-1/2" (2.5)	2-3/8" (2.375")	3.08"	0.44"

Lag Bolt



Clamp Assembly



Features:

- Used to secure Service Entrance Conduit to the Outside surface of a building
- Hinged on one side and bolted on other side for easy installation
- Machined Lag Bolt
- Malleable Iron