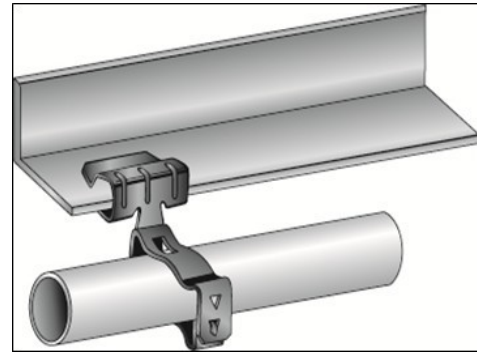




# Flange Mount Conduit Assembly

## Side Mount - Posi-Lock

MORRIS CAT#'s: 18230-18241



Static Load Limit: 25 lbs

DIMENSIONS = INCHES

<i>CAT. NO.</i>	<i>FLANGE THICKNESS</i>	<i>FITS CONDUIT</i>	<i>BOX QTY</i>
18230	1/8 TO 1/4	3/8	100
18231	1/8 TO 1/4	1/2 & 3/4	100
18232	1/8 TO 1/4	1	100
18240	5/16 TO 1/2	1/2 & 3/4	100
18241	5/16 TO 1/2	1	100

### Features:

- Suspends conduit from side of beam
- Locking Clip Snaps Closed to Ensure Positive Lock on Load
- Will pivot 360 degrees
- Installs with hammer only
- Accommodates flange thickness 1/8" to 1/2"
- Static Load Limit: 25 lbs
- cULus Listed
- Order Qty of 1 = 1 Piece