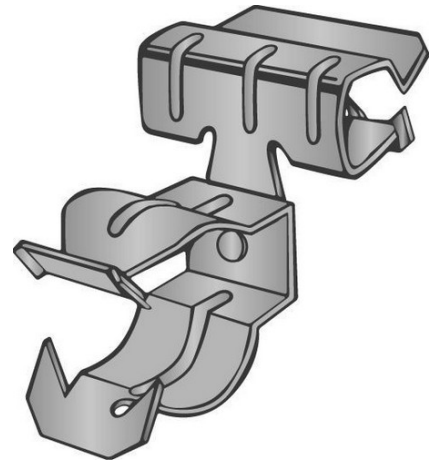
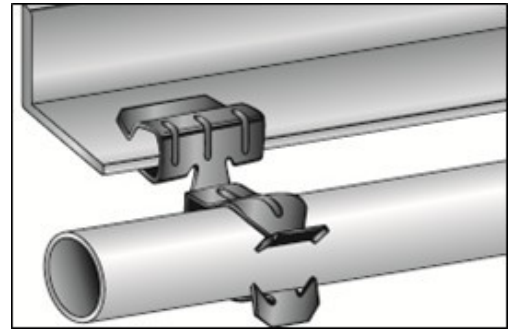




Flange Mount Conduit Assembly Side Mount MORRIS CAT#: 18221-18223



Features:

- Suspends conduit from side of beam
- Will pivot 360 degrees
- Installs with hammer only
- Accommodates flange thickness 1/8" to 1/4"
- Static Load Limit: 15 lbs
- Order Qty of 1 = 1 Piece

Static Load Limit: 15 lbs

DIMENSIONS = INCHES

<i>CAT. NO.</i>	<i>FLANGE THICKNESS</i>	<i>FITS EMT</i>	<i>FITS RIGID/IMC</i>	<i>BOX QTY</i>
18221	1/8 TO 1/4	1/2	-	100
18222	1/8 TO 1/4	3/4	1/2	100
18223	1/8 TO 1/4	1	3/4	100