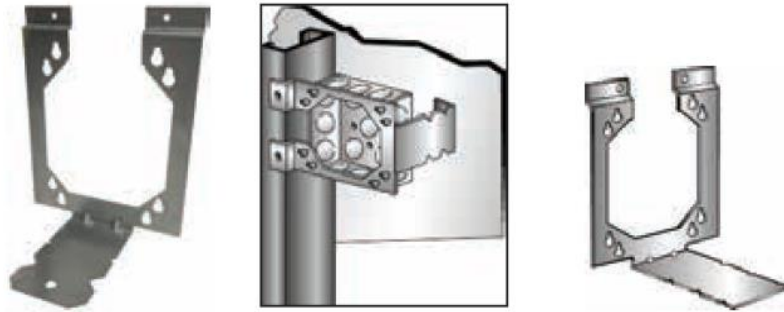




**Morris CAT#: 18370-18052**  
**Box Stabilizer Support**



**Features:**

- Box support for 2-1/2", 3-1/2" & 4" wood or metal studs
- Screw attached support for electrical boxes
- Made from pre-galvanized steel

<i><b>CAT. NO.</b></i>	<i><b>STUD SIZE</b></i>	<i><b>BOX QTY</b></i>
18370	2-1/2", 3-1/2"	100
18052	2-1/2", 3-1/2", 4"	100