



shown in Textured Bronze



# Kaye

*Designed in 2012*

The beautiful Kaye 3-speed versatile-mount, wall or ceiling fan, oscillates left to right, forward and reverse, in a 90° sweep. Its design is reminiscent of vintage train cabin ventilators of yester-year, and will cool down your favorite space with poise and determination. Kaye's profile is low, however its strength and character define it. Kaye can be mounted in any small or awkward spaces or in front of HVAC ducts to improve the efficiency of the heating, ventilation or air conditioning of your favorite space. Constructed of cast aluminum and heavy stamped steel, the Kaye carries a limited lifetime warranty.

## Product Features



American Labor



AC Motor



90° Oscillation



Safety Cage Equipped



Ceiling Mount



Wall Mount



Damp Location



Soothing White Noise



Wall Control



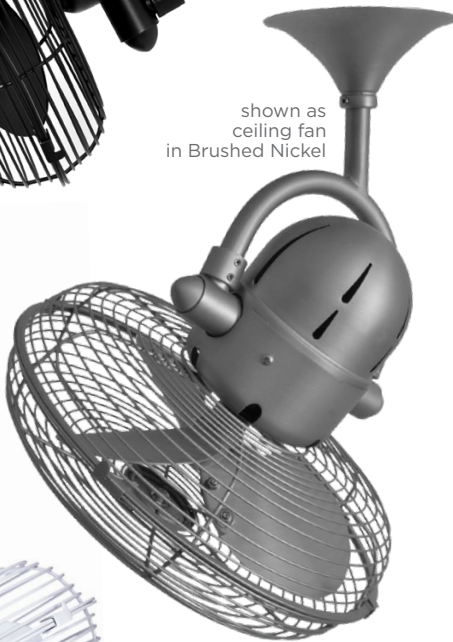
Unipack Shipping



shown in  
Matte Black



shown as  
ceiling fan  
in Brushed Nickel



shown as ceiling  
fan in Gloss White



shown in  
Textured Bronze



shown in  
Polished Chrome



# KAYE

## FINISH AND BLADE OPTIONS

| SKU#       | KC-XX<br>(Model+Finish) |                 |   |
|------------|-------------------------|-----------------|---|
| <b>NEW</b> | Finishes                | Brushed Nickel  | <b>BN</b><br><b>BK</b><br><b>CR</b><br><b>TB</b><br><b>WH</b> |
|            |                         | Matte Black     |   |
|            |                         | Polished Chrome |   |
|            |                         | Textured Bronze |   |
|            |                         | Gloss White     |   |

## TECHNICAL SPECS

|                                |  |
|--------------------------------|--|
| Fan Weight                     | 10.5 lbs   |
| Blade Material                 | Metal / ABS  |
| Voltage                        | 110 or 220   |
| Motor Type                     | AC   |
| Oscillation                    | Yes  |
| Fan Diameter                   | 13 inches / 33 cm  |
| Fan Height                     | 13 inches / 33 cm  |
| Fan Projection                 | 17.5 inches / 44 cm  |
| Ceiling Mount<br>Overall Drop  | 17.5 inches / 44 cm  |
| Recommended<br>Mounting Height | Approximately 24 inches /<br>61 cm from ceiling  |
| Fan Guard                      | Safety Cage  |
| Blade Pitch                    | 31°  |
| Environment                    | Damp locations for all finishes<br>Neither coastal, saltwater nor<br>chlorine compatible |
| Ambience                       | Soothing White Noise   |
| Safety Certification           | ETL / CETL   |
| Warranty                       | Limited Lifetime   |

## NEW JAN 21, 2020 DOE MOTOR EFFICIENCY DATA

|                  |             |
|------------------|-------------|
| RPM (Low / High) | 1213 / 1445 |
| CFM (Low / High) | 868 / 1303  |
| Watts (High)     | 47.68       |
| CFM/Watt (High)  | 29          |
| Blade Pitch      | 31°         |

## STANDARD EQUIPMENT

|                                |
|--------------------------------|
| Safety cage                    |
| Side-mounted wall junction box |

## ACCESSORY

White Decora-  
style, 3-speed  
wall control

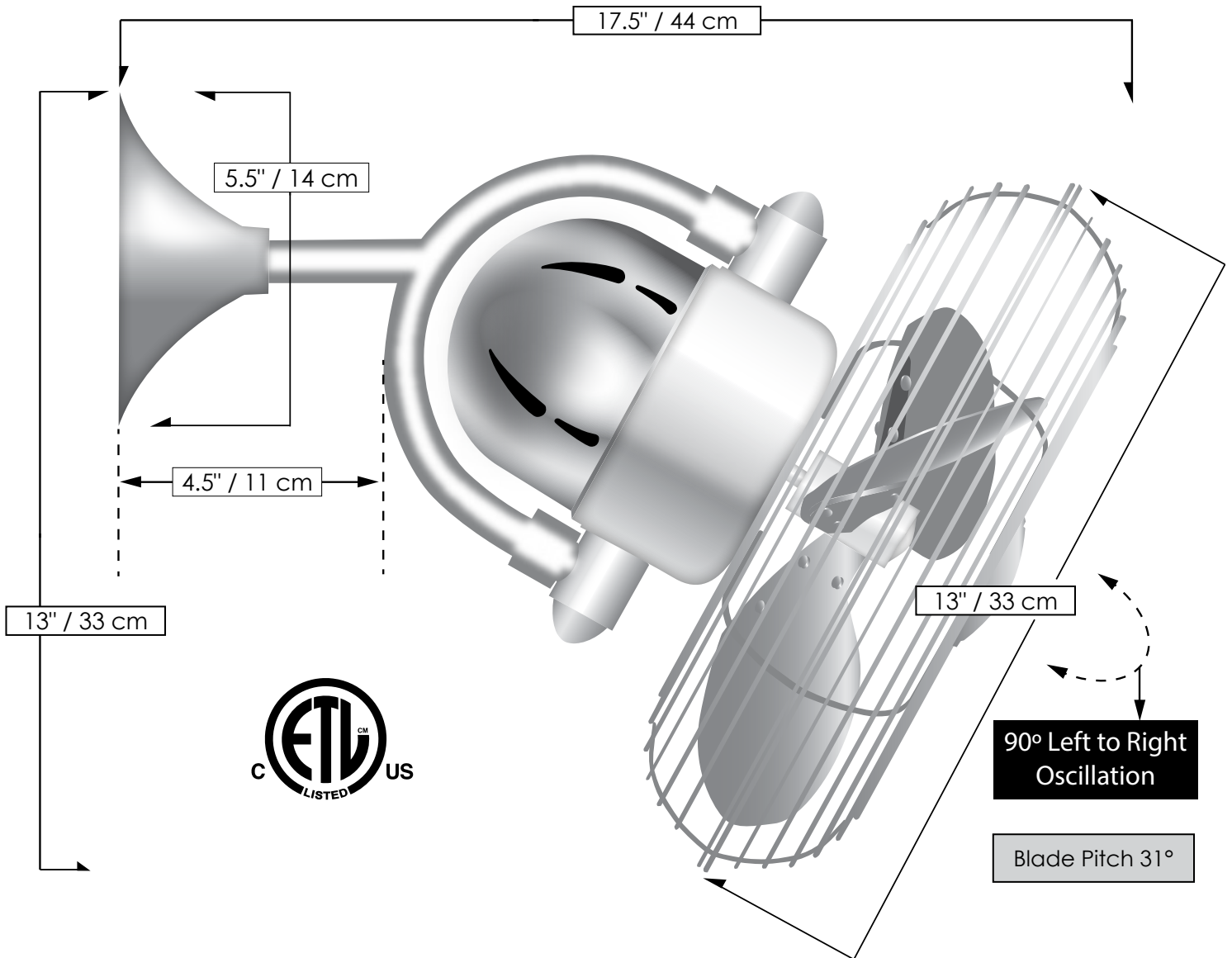


Black 3-speed  
RF remote  
control



### Note:

- 1) A three-wire system is needed to operate the oscillation mechanism independent of the fan blades.
- 2) The remote control receiver will not fit behind the wall canopy. A clever electrician will need to hide the receiver in wall or ceiling according to code.



### Matthews Fan Company

1881 Industrial Drive  
Libertyville, IL 60048  
Tele: 847.680.9043  
Fax: 847.680.8140  
www.matthewsfanco.com

© 2021 Matthews Fan Company. All rights reserved.

