

shown in Gloss White  
with 60" walnut blades



# Irene-5HLK

*Designed in 2016*

The Irene-5HLK ceiling-mount fan is rustic, yet strikingly modern with five neatly joined, solid wood matte black, matte white, walnut, or barn wood tone blades. A cylindrical motor housing complements its minimal profile. Irene-5HLK is streamline while still appearing warm and natural. Constructed of cast aluminum and heavy stamped steel, the Irene-5HLK has a limited lifetime warranty.

## Product Features



DC  
Motor



Damp  
Location



Silent



LED  
Lamp



Dimmable  
Lamp



Remote  
Control



Wall  
Control

# IRENE-5HLK

## FINISH AND BLADE OPTIONS

SKU#	IR5HLK-XXXX-XXX-XX (Model+Finish+Blade+Diameter)	
NEW Standard Finishes	Barn Wood	BW
	Brushed Brass	BRBR
	Brushed Bronze	BB
	Brushed Nickel	BN
	Matte Black	WH
	Polished Chrome	BK
	Textured Bronze	CR
NEW Blade Finishes	Walnut	TB
	Walnut	WN
	Barn Wood Tone	BW
	Matte Black	BK
	Matte White	MWH
	Walnut Tone	WA
Fan Diameter	42 inches / 107 cm	42
	52 inches / 132 cm	52
	60 inches / 152 cm	60

## TECHNICAL SPECS

Fan Diameter	inches: 42, 52 or 60 centimeters: 107, 132 or 152
Blade Material	CNC Cut Solid Wood
Overall Drop	12 inches / 30 cm
Fan Weight	13 lbs
Voltage	110 or 220
Motor Type	DC
Environment	Damp locations for all finishes Neither coastal, saltwater nor chlorine compatible
Ambience	Silent
Safety Certification	ETL / CETL
Warranty	Limited Lifetime

## NEW JAN 21, 2020 DOE MOTOR EFFICIENCY DATA

Fan Diameter	42 inch / 107 cm	52 inch / 132 cm	60 inch / 152 cm
RPM (Low / High)	51 / 220	51 / 179	51 / 88
CFM (Low / High)	861 / 4215	1212 / 4749	2116 / 3660
Watts (High)	31.66	31.12	30.78
CFM/Watt (High)	127	150	132
Blade Pitch	15°	15°	15°

## LIGHT KIT PHOTOMETRICS

Lamping (Replaceable)	Integrated LED
Remote Dimmable	Yes
Delivered Temperature in K	3075
Delivered Lumens	690
CRI	90
Watts	16
Hours	60,000

Light kit longevity if used 6 Hours/Day: 27.4 Years

## STANDARD EQUIPMENT

### Light Cover

6-speed RF remote control w/reverse in black



Wireless Decora-style, 6-speed, wall control in white



NOTE: Only compatible with included controllers.

shown in Brushed Bronze with 42" Matte Black blades

shown in Matte Black with 52" Matte Black blades

shown in Walnut with 42" Walnut blades

shown in Textured Bronze with 42" Walnut blades

shown in Brushed Brass with 42" Matte White blades

shown in Barn Wood with 52" Matte White blades

shown in Brushed Nickel with 42" Barn Wood blades

shown in Polished Chrome with 60" Barn Wood blades

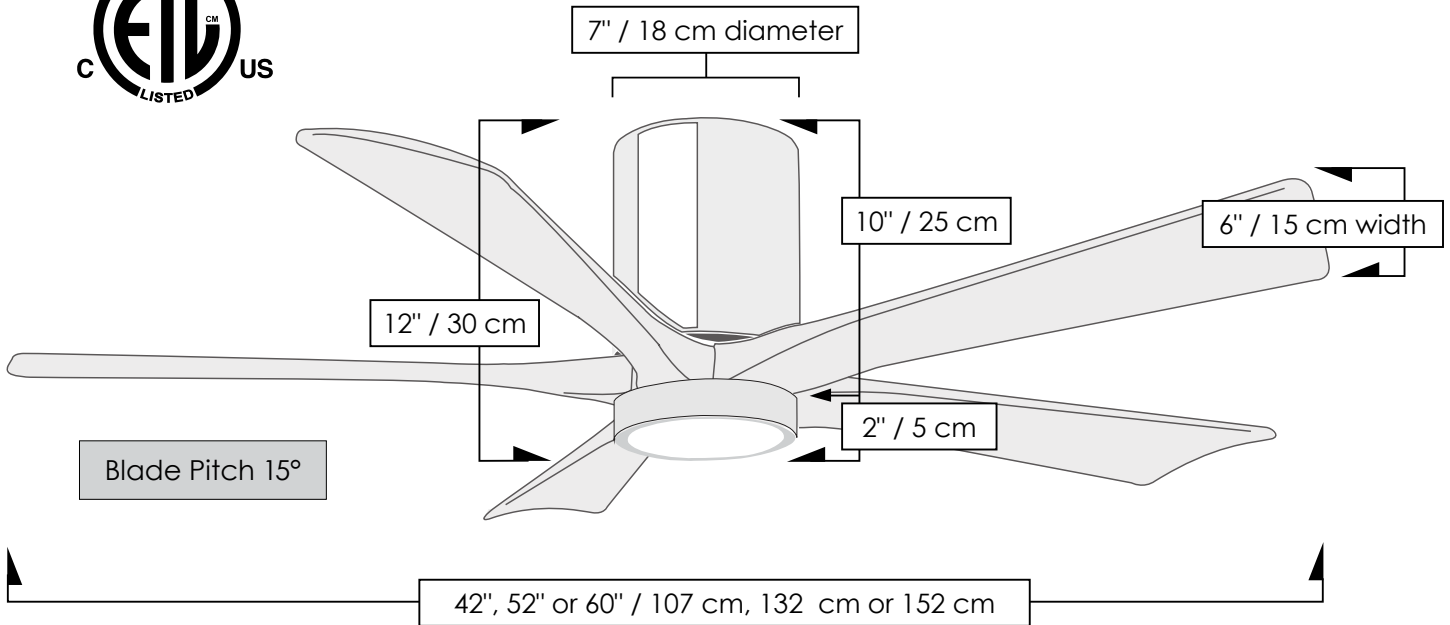
shown in Gloss White with 60" Walnut blades

## Blade Options



# Irene-5HLK

## TECHNICAL SPECIFICATIONS



### CEILING PITCH TABLE

0/12	0 degrees
1/12	4.76 degrees
2/12	9.46 degrees
3/12	14.04 degrees
4/12	18.43 degrees
5/12	22.62 degrees
6/12	26.57 degrees
7/12	30.26 degrees
8/12	33.69 degrees
9/12	36.87 degrees
10/12	39.81 degrees
11/12	42.51 degrees

### CEILING HEIGHT TABLE

Suitable for ceiling heights 7' 10" or greater

#### Matthews Fan Company

1881 Industrial Drive  
 Libertyville, IL 60048  
 Tele: 847.680.9043  
 Fax: 847.680.8140  
 www.matthewsfanco.com

© 2021 Matthews Fan Company. All rights reserved.

