

MPG*S*M414A-2

PRODUCT SPECIFICATIONS

14 SEER GAS ELECTRIC
PACKAGED UNIT

FORM NO. MPG*S*M414A-2 (01/2021)

REFRIGERANT SYSTEM

- Environmentally friendly R410A refrigerant
- Copper tubing with enhanced fin coils
- Internal service gauge ports
- Sleeved distributor tubes
- Antimicrobial insulated drain pan
- High and Low Threaded pressure switches for system protection

HEAT EXCHANGER

- GX models comply with California Energy Commission Low NOx regulations
- Aluminized Tri-Dimple tubular heat exchanger for increased efficiency
- Pest protected flue outlet

CABINET CONSTRUCTION

- Heavy-gauge galvanized steel base rails with rigging holes
- Rounded corners for safety and an attractive, clean appearance
- One piece base design for strength and stability
- Condensate and coil runoff drains to the perimeter of the unit
- Horizontal and downflow duct openings are flanged to minimize water entry
- Low profile, with compact footprint
- Insulation to minimize heat loss plus reduce sound
- Textured pre-painted steel cabinet finish
- Superior service access to components
- Louvered coil guard protection
- One piece "no leak" top design

BLOWER

- Insulated compartment to reduce sound
- Efficient constant torque motor for wide airflow range
- Slide out blower housing for easy service

CONTROLS

- Solid state integrated blower control board with L.E.D. self diagnostics
- Direct spark ignition
- Color coded wiring for easy service

INSTALLATION

- Horizontal or down discharge capable
- Horizontal and downflow duct covers provided with unit for installation flexibility
- Drain pan float switch monitors condensate level in drain pan and shuts down unit if drain becomes clogged
- Utility connections on "right side"
- Kits enable bottom gas and power entry through base pan



ACCESSORIES

- LP Gas Conversion

WARRANTY

10 year limited parts and compressor warranty/lifetime heat exchanger warranty available. See limited warranty document for details.

California Only

If installed in South Coast Air Quality Management District (SCAQMD) only: This furnace does not meet the SCAQMD Rule 1111 NOx emission limit (14 ng/j), and thus is subject to a mitigation fee of up to \$450. This furnace is not eligible for the Clean Air Furnace Rebate Program: www.CleanAirFurnaceRebate.com.

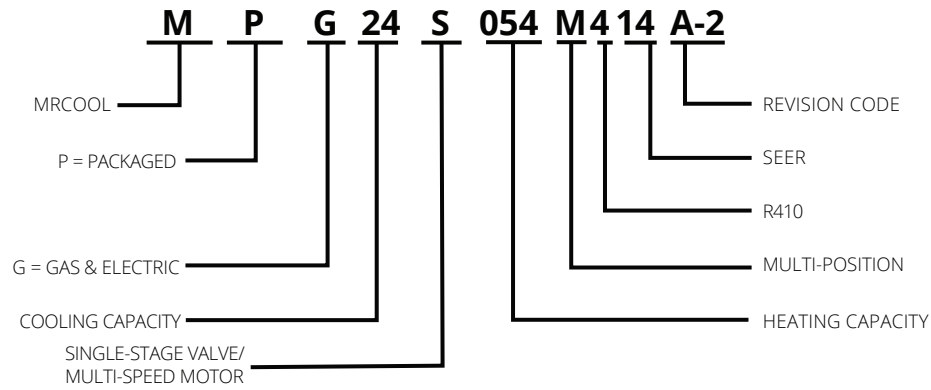
If installed in San Joaquin Valley Air Pollution Control District (SJVAPCD) only: This furnace does not meet the SJVAPCD Rule 4905 NOx emission limit (14 ng/j), and thus is subject to a mitigation fee of up to \$450.



Intertek



MODEL NUMBER GUIDE



ELECTRICAL AND PHYSICAL DATA

| Model | Voltage | Phase | Hz | Min Volts @ 60 hz | MCA | Max Fuse/HACR Breaker | Compressor | | Condenser Motor | | Blower Motor | | Exhaust Motor | | Refrig. Charge (oz.) | Weight (lbs.) |
|------------------|---------|-------|----|-------------------|-------|-----------------------|------------|-------|-----------------|-----|--------------|-----|---------------|------|----------------------|---------------|
| | | | | | | | RLA | LRA | FLA | HP | FLA | HP | RLA | HP | | |
| MPG24S054M414A-2 | 208-230 | 1 | 60 | 197 | 14.4 | 20 | 8.6 | 43.5 | 1.0 | 1/6 | 2.8 | 1/3 | 0.22 | 1/50 | 72 | 388 |
| MPG30S054M414A-2 | | | | | 18.22 | 25 | 10.6 | 47 | | | 4.1 | 1/2 | | | 80 | 400 |
| MPG36S090M414A-2 | | | | | 22.7 | 35 | 15.7 | 72.2 | | | 4.1 | 1/2 | | | 87 | 419 |
| MPG42S090M414A-2 | | | | | 27.5 | 40 | 15.9 | 112.3 | 6 | 3/4 | 108 | 496 | | | | |
| MPG48S108M414A-2 | | | | | 28.7 | 45 | 16.9 | 94 | | | 6 | 3/4 | | | 115 | 506 |
| MPG60S108M414A-2 | | | | | 38.9 | 60 | 26.4 | 152.5 | 1.7 | 1/4 | 7.6 | 1.0 | | | 125 | 543 |
| | | | | | | | | | | | | | | | | |

PERFORMANCE

| Model | COOLING | | | | | HEATING | | | | Sound dBA | |
|------------------|--------------------------|------|--------|------------------------------|---------|------------|-------------|-----------------|-------------------|-----------|----|
| | Rated AHRI Capacity Btuh | SEER | EER | Rated Sensible Capacity Btuh | CFM | Input BTUH | Output BTUH | Efficiency AFUE | Temp Rise Range F | | |
| MPG24S054M414A-2 | 22,600 | 14.0 | 11.0 | 17,400 | 800 | 54,000 | 43,800 | 81% | 30-60 | 77 | |
| | | | | | | 72,000 | 58,400 | | 40-70 | | |
| MPG30S054M414A-2 | 28,400 | | | | 21,900 | 1000 | 54,000 | | 43,800 | 30-60 | 79 |
| | | | | 72,000 | 58,400 | | 40-70 | | | | |
| MPG36S090M414A-2 | 34,000 | | | | 26,100 | 1200 | 72,000 | | 58,400 | 35-65 | 78 |
| | | | | 90,000 | 72,900 | | 40-70 | | | | |
| MPG42S090M414A-2 | 40,000 | | | | 30,800 | 1400 | 90,000 | | 72,900 | 40-70 | |
| MPG48S108M414A-2 | 45,500 | | 35,000 | 1600 | 108,000 | 87,500 | 40-70 | 77 | | | |
| MPG60S108M414A-2 | 57,000 | | 41,600 | 1800 | 108,000 | 87,500 | 40-70 | 78 | | | |
| | | | | | 126,000 | 102,100 | 45-75 | | | | |

*Certified in accordance with Unitary Air Conditioner Certification Program, which is based on AHRI Standard 210/240

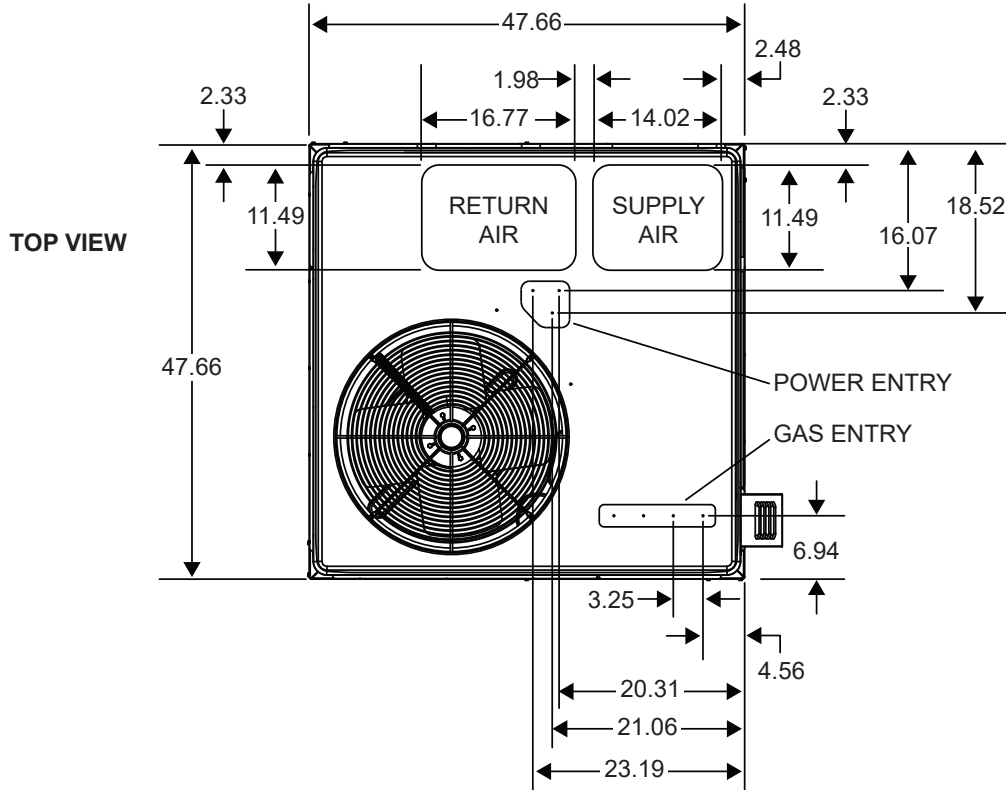
BLOWER PERFORMANCE

| Model | Blower Tap | CFM @ext. Static Pressure in in. wc without filter, dry coil | | | | | | | | | |
|------------------|------------|--|------|------|------|------|------|------|------|------|------|
| | | 0.1 | 0.2 | 0.3 | 0.4 | 0.5 | 0.6 | 0.7 | 0.8 | 0.9 | 1.0 |
| MPG24S054M414A-2 | TAP 1 | 610 | 560 | 525 | 485 | 430 | N/A | N/A | N/A | N/A | N/A |
| | TAP 2 | 820 | 795 | 760 | 720 | 690 | 650 | 615 | 575 | 540 | 470 |
| | TAP 3 | 950 | 920 | 880 | 850 | 820 | 800 | 760 | 720 | 680 | 625 |
| MPG30S054M414A-2 | TAP 1 | 850 | 820 | 780 | 745 | 710 | 680 | 630 | 590 | 550 | 515 |
| | TAP 2 | 1040 | 1000 | 970 | 935 | 900 | 875 | 845 | 815 | 770 | 735 |
| | TAP 3 | 1175 | 1145 | 1115 | 1080 | 1050 | 1015 | 990 | 945 | 900 | 860 |
| MPG36S090M414A-2 | TAP 1 | 850 | 800 | 750 | 700 | 645 | 600 | 550 | 480 | 435 | N/A |
| | TAP 2 | 1245 | 1210 | 1175 | 1140 | 1100 | 1065 | 1025 | 975 | 920 | 845 |
| | TAP 3 | 1400 | 1370 | 1335 | 1300 | 1265 | 1220 | 1180 | 1150 | 1060 | 875 |
| MPG42S090M414A-2 | TAP 1 | 800 | 720 | 640 | 550 | 475 | 390 | 310 | N/A | N/A | N/A |
| | TAP 2 | 1470 | 1410 | 1360 | 1300 | 1260 | 1210 | 1155 | 1095 | 1000 | 940 |
| | TAP 3 | 1700 | 1650 | 1610 | 1575 | 1540 | 1480 | 1430 | 1390 | 1340 | 1210 |
| MPG48S108M414A-2 | TAP 1 | 1145 | 1075 | 1000 | 930 | 850 | 790 | 740 | 670 | 570 | 490 |
| | TAP 2 | 1675 | 1630 | 1600 | 1540 | 1490 | 1440 | 1390 | 1300 | 1230 | 1125 |
| | TAP 3 | 1800 | 1770 | 1715 | 1690 | 1640 | 1610 | 1565 | 1500 | 1460 | 1380 |
| MPG60S108M414A-2 | TAP 1 | 1400 | 1320 | 1260 | 1200 | 1120 | 1060 | 980 | 900 | N/A | N/A |
| | TAP 2 | 1920 | 1870 | 1820 | 1770 | 1720 | 1670 | 1450 | 1360 | N/A | N/A |
| | TAP 3 | 2235 | 2195 | 2165 | 2130 | 2090 | 2060 | 2025 | 1985 | 1960 | 1940 |

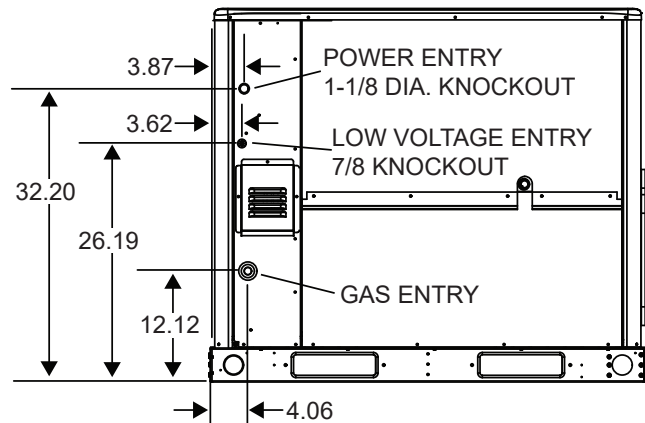
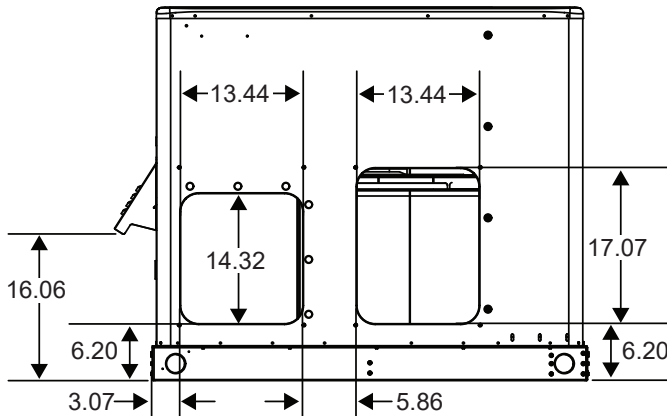
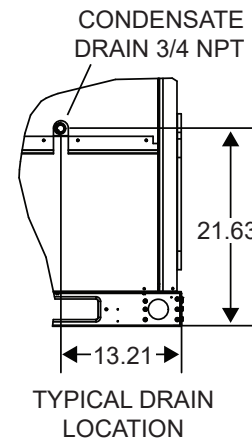
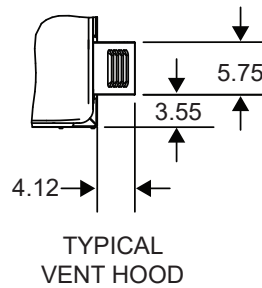
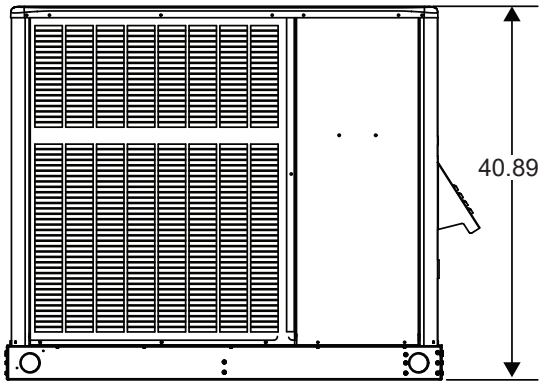
COOLING PERFORMANCE - EXTENDED RATINGS

| Outdoor Model | Indoor Temp DB/WB °F | Outdoor Temperature - DB °F | | | | | | | | | | | | | | |
|------------------|----------------------|-----------------------------|------|------|------------|------|------|------------|------|------|-------------|------|------|------------|------|------|
| | | 65° | | | 82° / 67 ° | | | 95° / 75 ° | | | 105° / 85 ° | | | 115° / 95° | | |
| | | Btuh | S/T | kW | Btuh | S/T | kW | Btuh | S/T | kW | Btuh | S/T | kW | Btuh | S/T | kW |
| MPG24S054M414A-2 | 85 / 72 | 30,600 | 0.65 | 1.33 | 27,700 | 0.68 | 1.65 | 24,700 | 0.70 | 1.88 | 23,100 | 0.72 | 2.06 | 22,500 | 0.75 | 2.26 |
| | 80 / 67 | 27,900 | 0.71 | 1.35 | 25,500 | 0.74 | 1.65 | 22,600 | 0.77 | 1.88 | 21,200 | 0.79 | 2.06 | 20,700 | 0.82 | 2.25 |
| | 75 / 63 | 26,000 | 0.74 | 1.36 | 23,800 | 0.77 | 1.65 | 21,000 | 0.79 | 1.87 | 20,700 | 0.82 | 2.05 | 19,300 | 0.84 | 2.23 |
| | 75 / 57 | 23,800 | 1 | 1.39 | 22,100 | 1 | 1.64 | 20,700 | 1 | 1.87 | 19,600 | 1 | 2.04 | 18,500 | 1.00 | 2.22 |
| MPG30S054M414A-2 | 85 / 72 | 38,200 | 0.68 | 1.83 | 34,700 | 0.71 | 2.16 | 32,000 | 0.74 | 2.42 | 30,500 | 0.74 | 2.6 | 29,000 | 0.78 | 2.86 |
| | 80 / 67 | 35,200 | 0.75 | 1.76 | 32,300 | 0.78 | 2.11 | 28,400 | 0.75 | 2.34 | 28,100 | 0.84 | 2.57 | 25,100 | 0.8 | 2.74 |
| | 75 / 63 | 33,000 | 0.77 | 1.71 | 30,400 | 0.8 | 2.06 | 27,700 | 0.8 | 2.31 | 25,900 | 0.82 | 2.51 | 24,100 | 0.84 | 2.72 |
| | 75 / 57 | 29,900 | 1 | 1.66 | 28,300 | 1 | 2.01 | 26,600 | 1 | 2.29 | 25,200 | 1 | 2.49 | 23,700 | 1 | 2.7 |
| MPG36S090M414A-2 | 85 / 72 | 45,800 | 0.68 | 2.09 | 41,700 | 0.72 | 2.49 | 37,600 | 0.73 | 2.82 | 35,400 | 0.74 | 3.1 | 32,400 | 0.75 | 3.39 |
| | 80 / 67 | 40,800 | 0.75 | 2.1 | 38,500 | 0.75 | 2.51 | 34,400 | 0.79 | 2.81 | 33,200 | 0.84 | 3.09 | 30,500 | 0.85 | 3.38 |
| | 75 / 63 | 38,100 | 0.76 | 2.11 | 36,000 | 0.77 | 2.51 | 32,300 | 0.81 | 2.80 | 30,500 | 0.84 | 3.08 | 28,400 | 0.87 | 3.37 |
| | 75 / 57 | 35,200 | 1 | 2.14 | 33,600 | 1 | 2.5 | 30,700 | 1 | 2.80 | 29,200 | 1 | 3.07 | 27,400 | 1 | 3.36 |
| MPG42S090M414A-2 | 85 / 72 | 54,500 | 0.67 | 2.51 | 48,900 | 0.71 | 2.9 | 45,700 | 0.73 | 3.28 | 44,200 | 0.74 | 3.64 | 42,800 | 0.75 | 4.08 |
| | 80 / 67 | 50,100 | 0.74 | 2.52 | 45,100 | 0.78 | 2.91 | 40,000 | 0.77 | 3.28 | 38,400 | 0.79 | 3.64 | 35,700 | 0.8 | 4.05 |
| | 75 / 63 | 46,800 | 0.76 | 2.52 | 42,700 | 0.8 | 2.91 | 38,800 | 0.81 | 3.29 | 36,300 | 0.82 | 3.65 | 33,500 | 0.83 | 4.06 |
| | 75 / 57 | 42,500 | 1 | 2.53 | 39,700 | 1 | 2.93 | 37,100 | 1 | 3.3 | 35,100 | 1 | 3.66 | 33,100 | 1 | 4.07 |
| MPG48S108M414A-2 | 85 / 72 | 59,400 | 0.69 | 2.78 | 53,900 | 0.72 | 3.29 | 49,700 | 0.72 | 3.6 | 47,100 | 0.75 | 4.09 | 43,600 | 0.75 | 4.48 |
| | 80 / 67 | 54,600 | 0.75 | 2.8 | 49,900 | 0.77 | 3.3 | 46,000 | 0.80 | 3.71 | 42,900 | 0.8 | 4.07 | 40,000 | 0.81 | 4.47 |
| | 75 / 63 | 50,700 | 0.76 | 2.82 | 46,700 | 0.79 | 3.3 | 43,300 | 0.82 | 3.7 | 40,400 | 0.82 | 4.06 | 38,100 | 0.86 | 4.47 |
| | 75 / 57 | 47,200 | 1 | 2.83 | 43,800 | 1 | 3.29 | 41,000 | 1 | 3.7 | 39,000 | 1 | 4.06 | 36,900 | 1 | 4.47 |
| MPG60S108M414A-2 | 85 / 72 | 70,300 | 0.63 | 3.5 | 66,100 | 0.64 | 4.19 | 62,800 | 0.65 | 4.72 | 59,200 | 0.7 | 5.27 | 55,500 | 0.76 | 5.82 |
| | 80 / 67 | 65,700 | 0.69 | 3.47 | 61,000 | 0.71 | 4.08 | 57,400 | 0.73 | 4.69 | 54,300 | 0.78 | 5.24 | 51,200 | 0.83 | 5.78 |
| | 75 / 63 | 61,400 | 0.72 | 3.45 | 56,300 | 0.74 | 4.12 | 52,300 | 0.76 | 4.63 | 50,200 | 0.8 | 5.19 | 48,000 | 0.85 | 5.75 |
| | 75 / 57 | 54,500 | 1 | 3.42 | 50,100 | 1 | 4.09 | 50,100 | 1 | 4.09 | 46,700 | 1 | 5.17 | 45,900 | 1 | 5.73 |

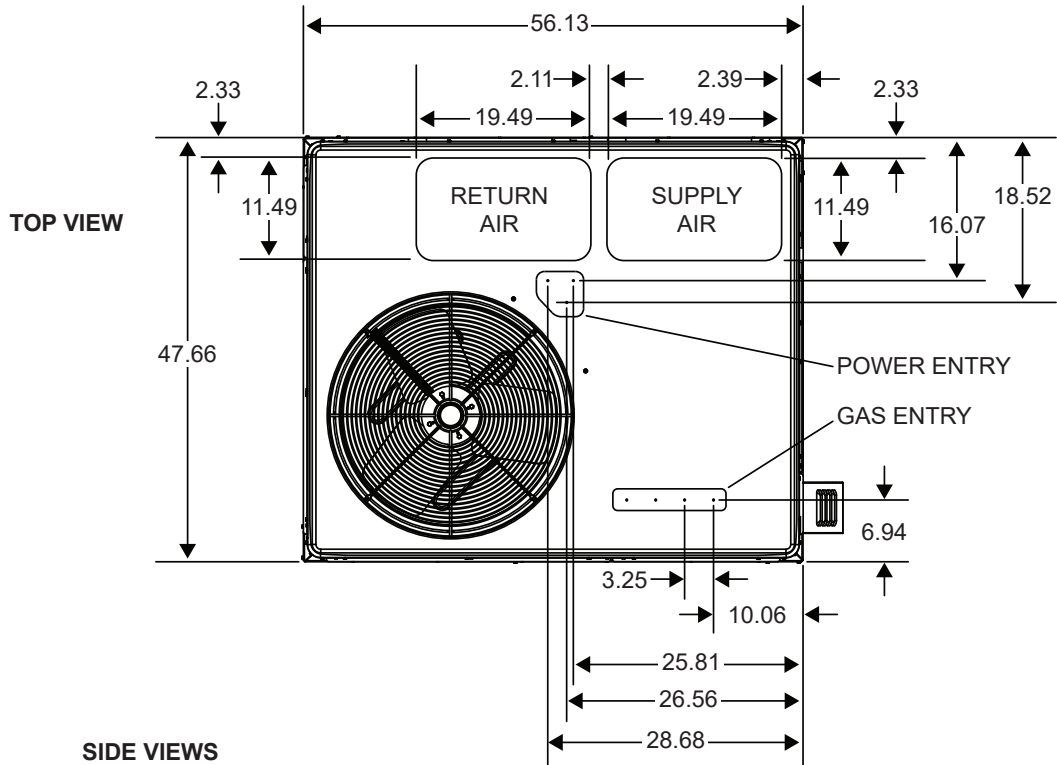
DIMENSIONS (IN.) - SMALL BASE



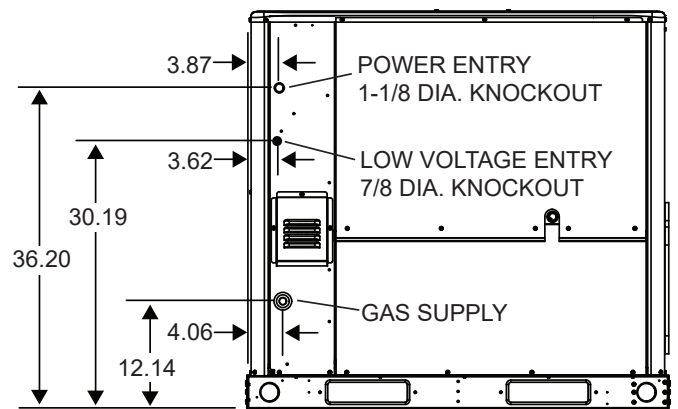
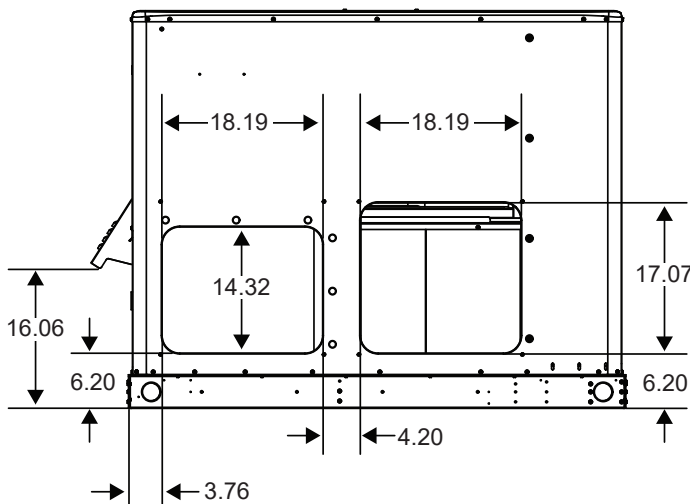
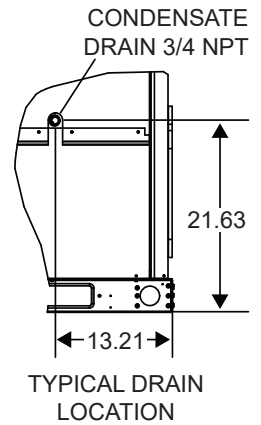
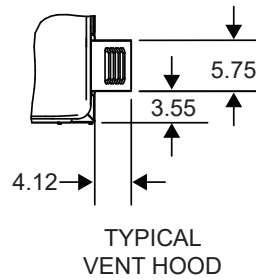
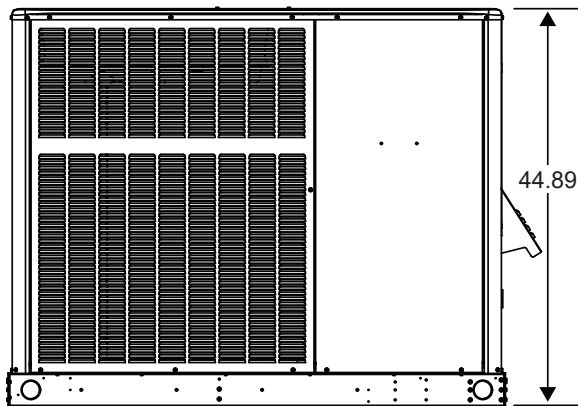
SIDE VIEWS



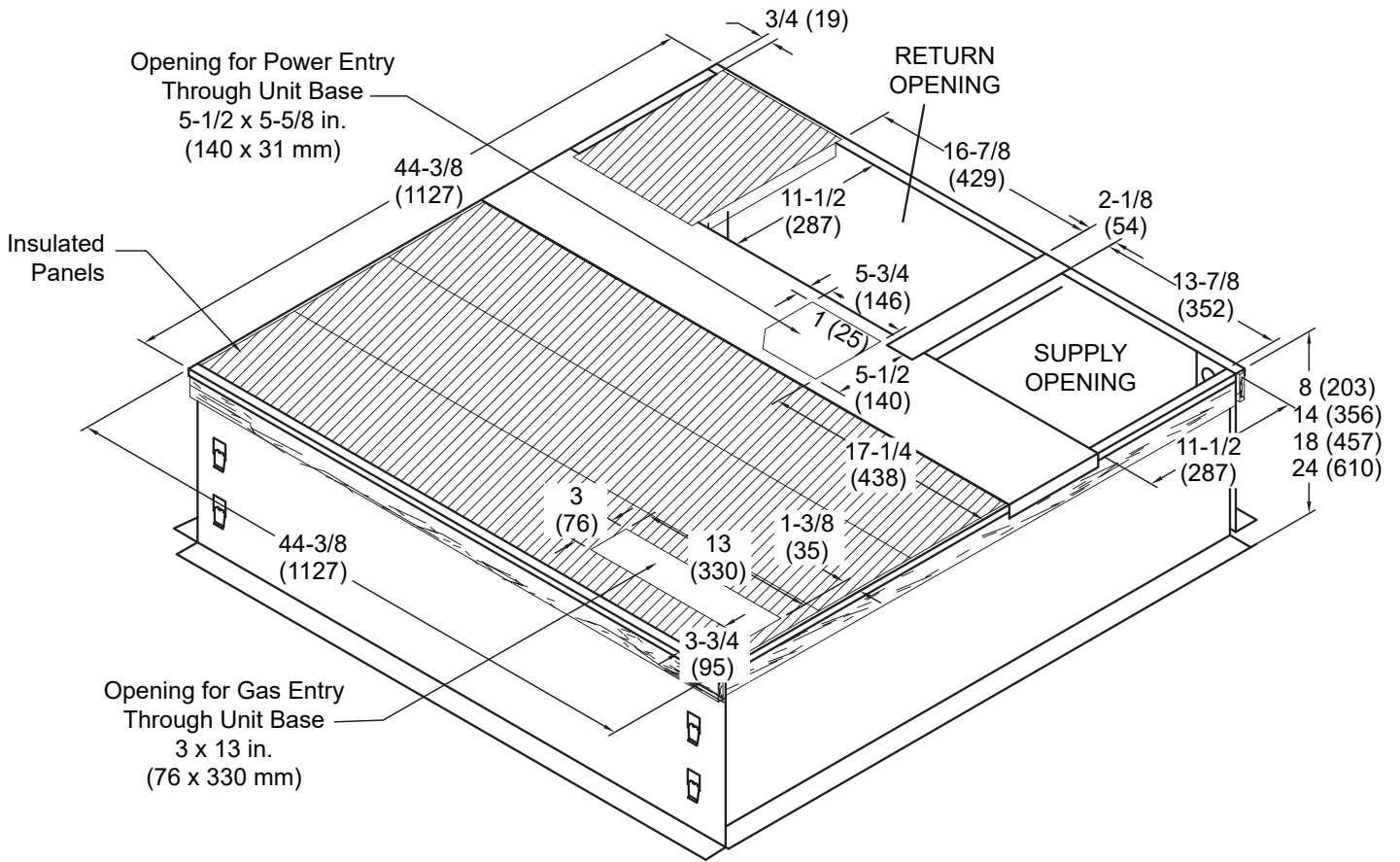
DIMENSIONS (IN.) - LARGE BASE



SIDE VIEWS



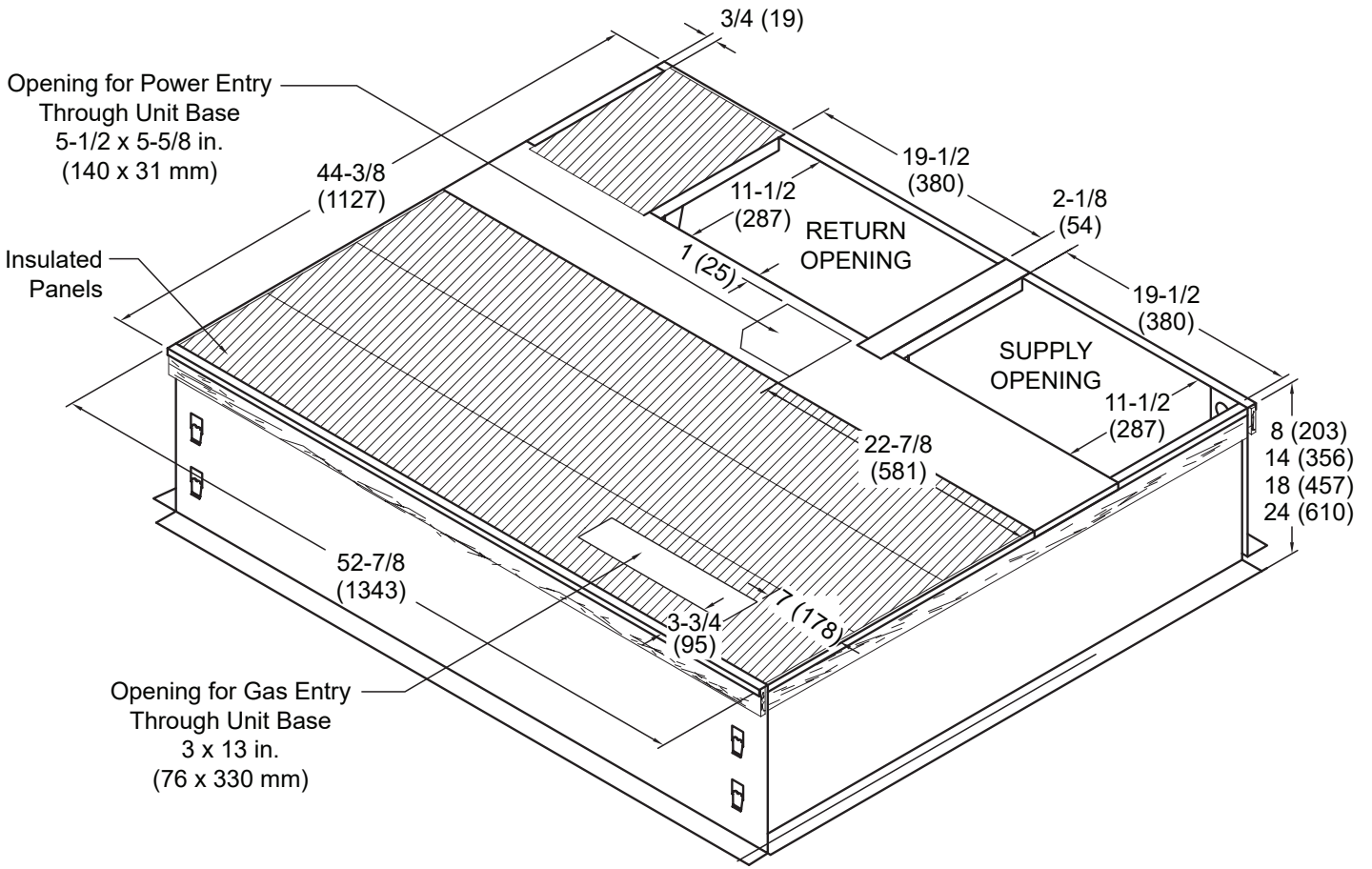
ROOF CURB DIMENSIONS - SMALL BASE



NOTE - Roof deck may be omitted within confines of curb.

NOTE - If bottom entry is used, condensate from the heat exchanger may leak during warm ambient temperatures in humid climates. Ensure that bottom entry is watertight, if used.

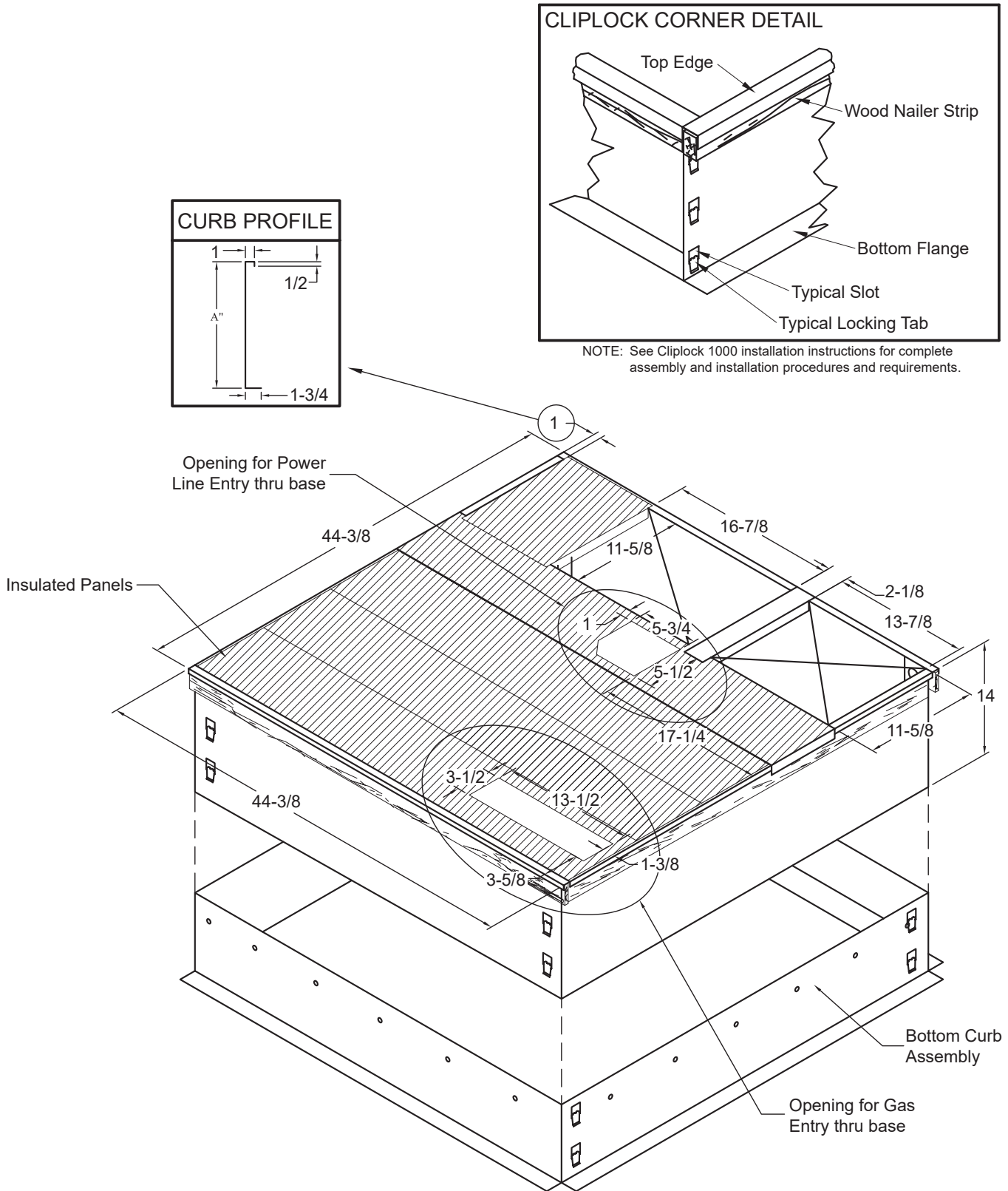
ROOF CURB DIMENSIONS - LARGE BASE



NOTE - Roof deck may be omitted within confines of curb.

NOTE - If bottom entry is used, condensate from the heat exchanger may leak during warm ambient temperatures in humid climates. Ensure that bottom entry is watertight, if used.

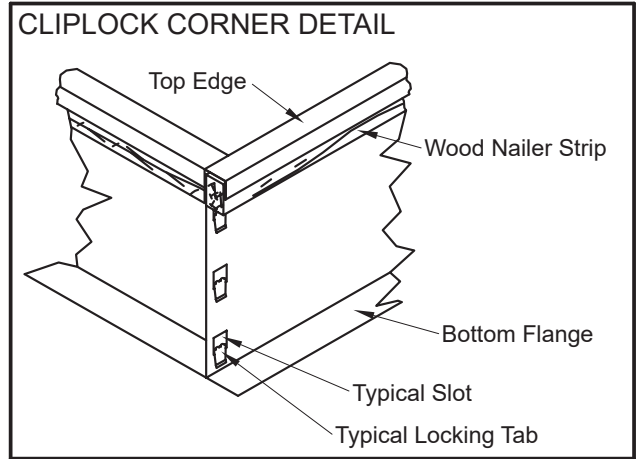
ADJUSTABLE CURB DIMENSIONS - SMALL BASE



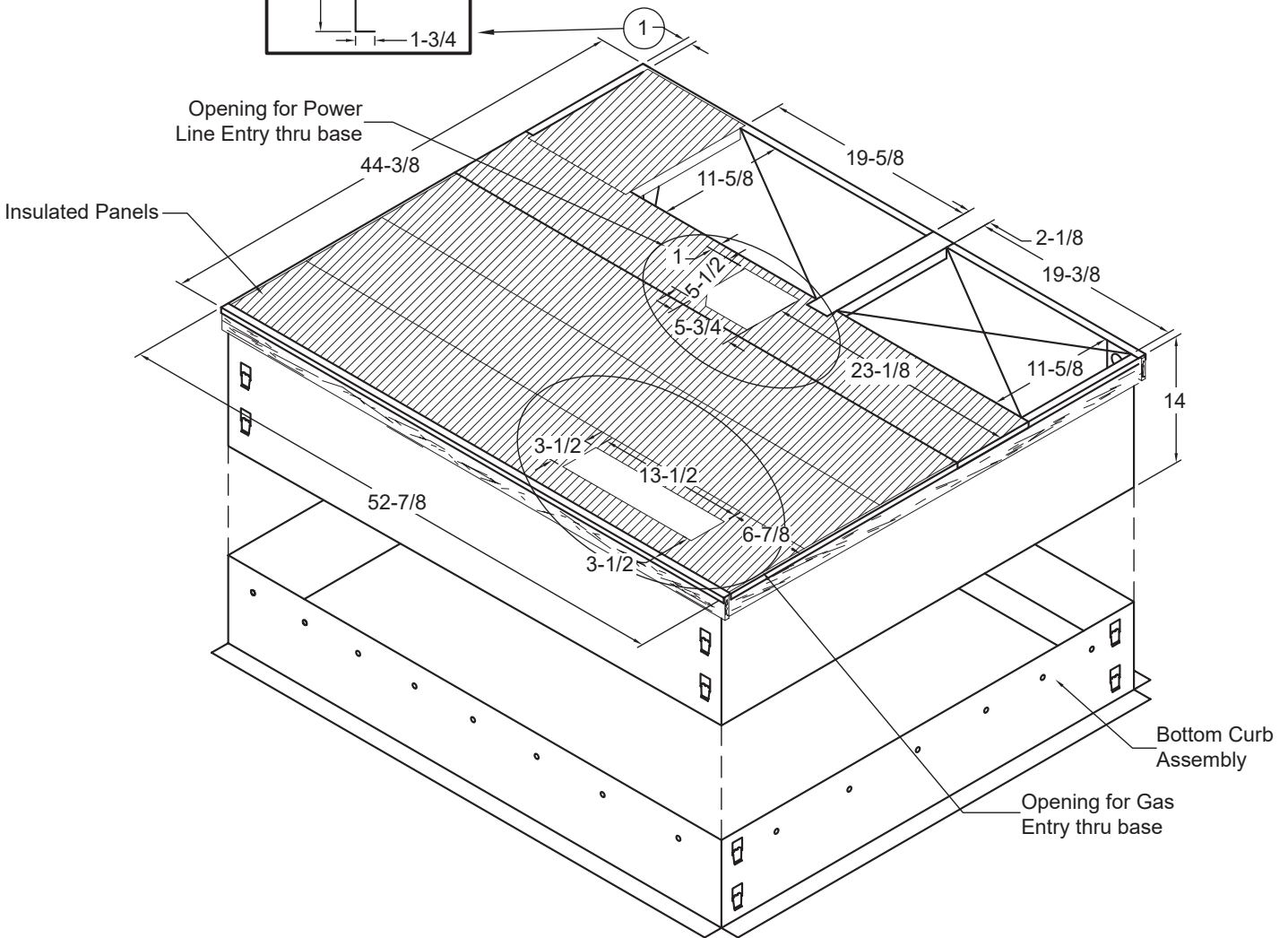
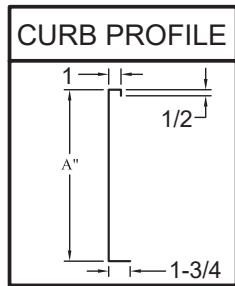
NOTE - Roof deck may be omitted within confines of curb.

NOTE - If bottom entry is used, condensate from the heat exchanger may leak during warm ambient temperatures in humid climates. Ensure that bottom entry is watertight, if used.

ADJUSTABLE CURB DIMENSIONS - LARGE BASE



NOTE: See Cliplock 1000 installation instructions for complete assembly and installation procedures and requirements.



NOTE - Roof deck may be omitted within confines of curb.

NOTE - If bottom entry is used, condensate from the heat exchanger may leak during warm ambient temperatures in humid climates. Ensure that bottom entry is watertight, if used.

ACCESSORIES

| Description | Where Used | Kit Number |
|----------------------------|------------|------------|
| LPG/Propane Conversion Kit | All | MLP1PS |



For MRCOOL customer service or tech support please call: 1-(270)-366-0457

All specifications and illustrations subject to change without notice and without incurring obligations.