

# MGM80S\*A & MGD80S\*A

## PRODUCT SPECIFICATIONS

## GAS FURNACE SINGLE STAGE



Note: Not Sold In Canada

### California Only

If installed in South Coast Air Quality Management District (SCAQMD) only: This furnace does not meet the SCAQMD Rule 1111 NOx emission limit (14 ng/j), and thus is subject to a mitigation fee of up to \$450. This furnace is not eligible for the Clean Air Furnace Rebate Program: [www.CleanAirFurnaceRebate.com](http://www.CleanAirFurnaceRebate.com).

If installed in San Joaquin Valley Air Pollution Control District (SJVAPCD) only: This furnace does not meet the SJVAPCD Rule 4905 NOx emission limit (14 ng/j), and thus is subject to a mitigation fee of up to \$450.

### INSTALLATION FEATURES

- Left or right utility connections
- Removable floor base for bottom return air upflow / horizontal units)
- Zero step horizontal conversion

### CONFIGURATIONS

- Upflow / Horizontal
- Downflow

### HEAT EXCHANGER DESIGN

- Aluminized steel tapered crimped non-welded clam shell heat exchanger design

### BURNERS

- Aluminized steel inshot burners for smooth ignition

### CABINET DESIGN

- Compact 33" height
- Standardized widths for easy coil fit

### AIR DELIVERY SYSTEM

- Multi-speed high efficiency (constant torque) blower motor
- Easily removable slide out blower design
- Enhanced cooling SEER ratings when applied with properly matched cooling equipment

### CONTROLS

- Single stage gas valve
- Durable silicon nitride ignitor
- Self diagnostics saving last 10 fault codes regardless of power interruption
- Control features electronic air cleaner and humidifier terminals

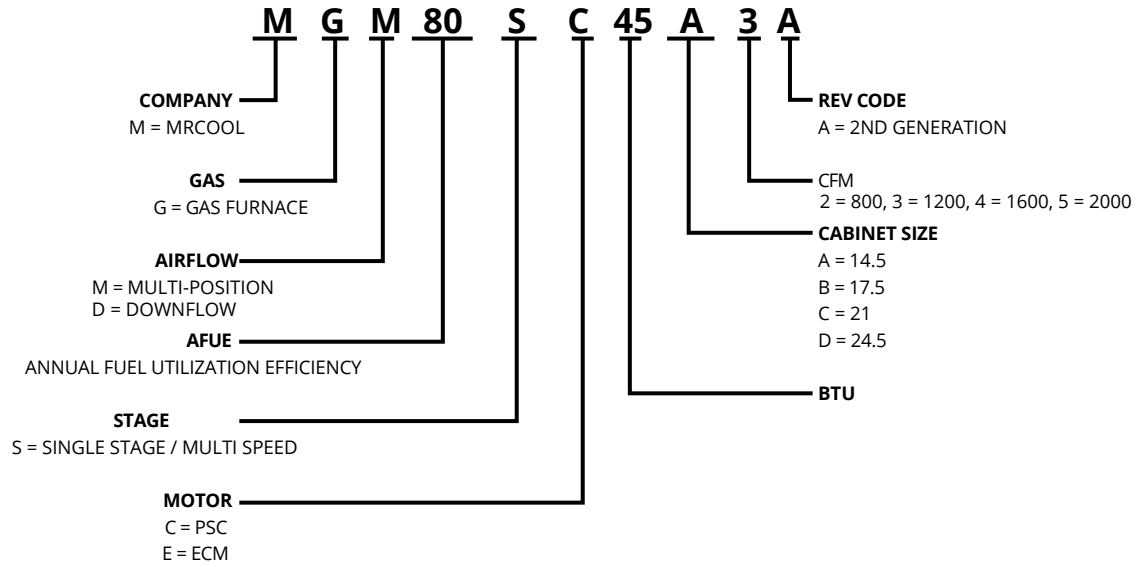
### VENTING

- Rotatable draft inducer for venting flexibility

### WARRANTY

10-Year limited parts warranty / lifetime heat exchanger warranty available. See limited warranty document for details.

**MODEL NUMBER GUIDE**



**PHYSICAL AND ELECTRICAL DATA**

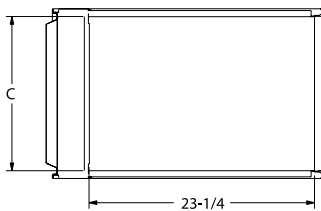
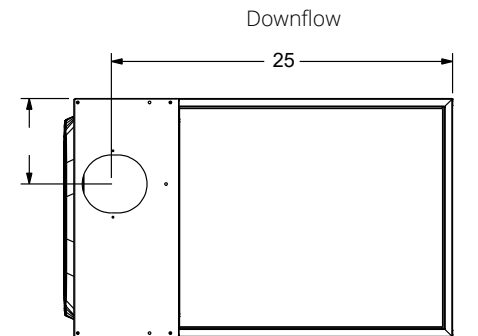
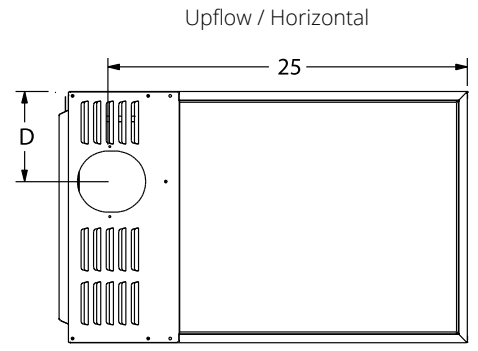
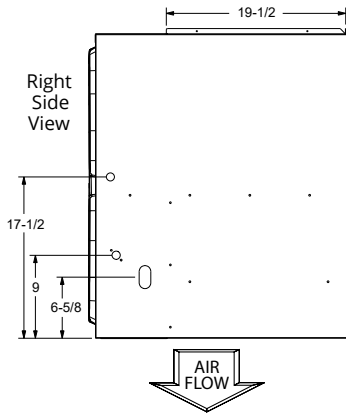
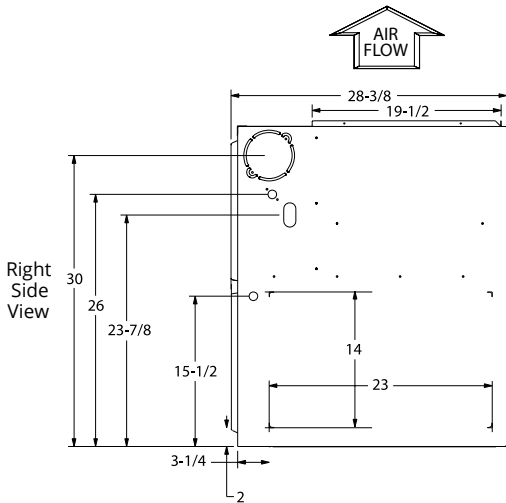
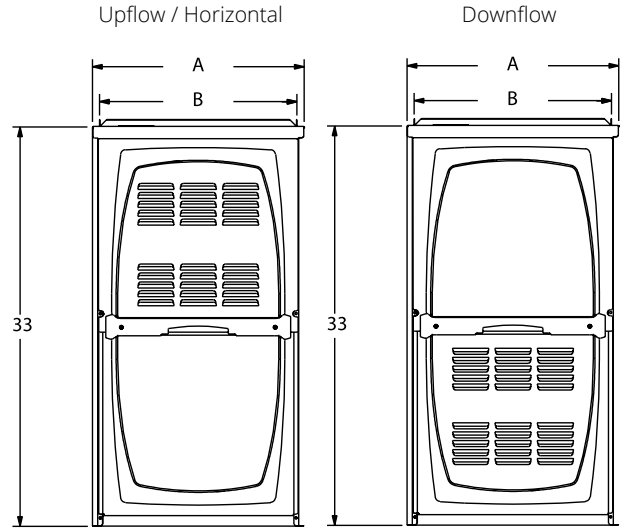
	Model	Input (Btuh)	Output (Btuh)	AFUE (ICS)	Nom. Cooling Capacity	Gas Inlet (in.)	Volts/ Hz/ Phase	Max. Time Delay Breaker or Fuse	Nominal F.L.A.	Trans. (V.A.)	Approx. Shipping Weight (lbs.)
<b>UPFLOW / HORIZONTAL</b>	MGM80SE045A3A	44,000	35,200	80.0%	1-1/2 — 3	1/2	120-60-1	15	6.8	40	111
	MGM80SE070B3A	66,000	52,800	80.0%	1-1/2 — 3	1/2	120-60-1	15	6.8	40	127
	MGM80SE090B4A	88,000	70,400	80.0%	2-1/2 — 4	1/2	120-60-1	15	8.4	40	142
	MGM80SE090C5A	88,000	70,400	80.0%	3 — 5	1/2	120-60-1	15	10.9	40	152
	MGM80SE110C5A	110,000	88,000	80.0%	4 — 5	1/2	120-60-1	15	10.9	40	160
	MGM80SE135D5A	132,000	105,600	80.0%	4 — 5	1/2	120-60-1	15	10.9	40	178
<b>DOWNFLOW</b>	MGD80SE045A3A	44,000	35,200	80.0%	2 — 3	1/2	120-60-1	15	6.8	40	113
	MGD80SE070B3A	66,000	52,800	80.0%	2 — 3	1/2	120-60-1	15	6.8	40	128
	MGD80SE090B4A	88,000	70,400	80.0%	3 — 4	1/2	120-60-1	15	8.4	40	140
	MGD80SE110C5A	110,000	88,000	80.0%	4 — 5	1/2	120-60-1	15	10.9	40	160

Note: For vent length and clearances to combustibles, please reference installation instructions.

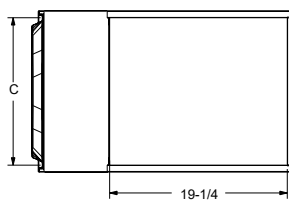
**DIMENSIONS (IN.)**

	Model	A	B	C	D
<b>UPFLOW / HORIZONTAL</b>	MGM80SE045A3A	14-1/2	13-3/8	13	4-3/4
	MGM80SE070B3A	17-1/2	16-3/8	16	6-1/4
	MGM80SE090B5A	17-1/2	16-3/8	16	6-1/4
	MGM80SE090C4A	21	19-3/8	19-1/2	8
	MGM80SE110C5A	21	19-3/8	19-1/2	8
	MGM80SE135D5A	24-1/2	23-3/8	23	9-3/4
<b>DOWNFLOW</b>	MGD80SE045A3A	14-1/2	13-3/8	13	4-3/4
	MGD80SE070B3A	17-1/2	16-3/8	16	6-1/4
	MGD80SE090B4A	17-1/2	16-3/8	16	6-1/4
	MGD80SE110C5A	21	19-7/8	19-1/2	8

FrontView



Bottom View



Bottom View

**BLOWER PERFORMANCE DATA**

	Model	Motor Size (hp)	Blower Size	Temp Rise (°F)	Blower Speed	CFM @ External Static Pressure - " w.c.						
						0.20	0.30	0.40	0.50	0.60	0.70	0.80
<b>UPFLOW / HORIZONTAL</b>	MGM80SE045A3A	1/2	10 x 8	15 - 45	High	1320	1290	1265	1230	1190	1165	1130
					Med/High	1080	1055	1010	990	945	915	880
					Med	900	875	825	790	750	705	670
					Med/Low	805	750	710	660	630	570	535
					Low	700	640	595	535	500	435	380
	MGM80SE070B3A	1/2	10 x 10	40 - 70	High	1355	1330	1290	1245	1225	1190	1160
					Med/High	1225	1190	1155	1115	1045	1000	925
					Med	1110	1060	1015	980	920	855	790
					Med/Low	1080	1035	970	930	865	790	735
	MGM80SE090B4A	3/4	10 x 10	35 - 65	High	1730	1690	1645	1615	1590	1545	N/A
					Med/High	1505	1460	1435	1395	1350	1300	1270
					Med	1380	1345	1310	1265	1210	1175	1140
					Med/Low	1310	1275	1240	1180	1150	1095	1040
	MGM80SE090C5A	1	11-1/2 x 10	30 - 60	High	2150	2125	2090	2060	2020	1980	1935
					Med/High	1865	1835	1800	1760	1725	1680	1635
					Med	1655	1635	1585	1545	1515	1465	1420
					Med/Low	1490	1450	1405	1370	1320	1265	1225
	MGM80SE110C5A	1	11-1/2 x 10	35 - 65	High	2135	2090	2050	2025	2010	1965	1905
					Med/High	1865	1830	1785	1740	1710	1670	1635
					Med	1630	1595	1550	1500	1470	1420	1380
Med/Low					1470	1440	1385	1340	1305	1255	1215	
MGM80SE135D5A	1	11 x 11	30 - 60	High	2390	2360	2285	2240	2225	2160	2105	
				Med/High	2175	2140	2125	2060	2015	1955	1925	
				Med	1935	1895	1850	1815	1785	1755	1715	
				Med/Low	1735	1720	1660	1610	1535	1500	1435	
				Low	1550	1485	1455	1415	1330	1265	1215	
				High	1375	1335	1320	1275	1245	1215	1175	
				Med/High	1145	1120	1075	1045	1000	970	925	
				Med	950	915	870	835	785	745	695	
				Med/Low	840	790	745	715	655	605	555	
				Low	725	665	625	565	520	455	400	
				High	1400	1360	1310	1280	1250	1220	1165	
				Med/High	1230	1205	1155	1110	1060	1000	935	
				Med	1125	1085	1050	985	935	865	795	
				Med/Low	1110	1055	1000	950	865	815	750	
				Low	900	845	790	705	645	590	480	
				High	1695	1660	1615	1570	1545	N/A	N/A	
				Med/High	1470	1425	1395	1360	1295	1265	1215	
				Med	1340	1290	1250	1210	1165	1120	1080	
				Med/Low	1280	1225	1185	1145	1085	1040	1000	
				Low	1105	1040	1005	945	865	810	755	
				High	2325	2280	2235	2165	2125	2090	2035	
				Med/High	2010	1940	1895	1845	1800	1755	1700	
				Med	1760	1705	1635	1595	1545	1510	1460	
				Med/Low	1570	1500	1440	1380	1320	1285	1255	
				Low	1375	1320	1265	1200	1170	1100	1030	