

# EVAPORATOR COILS

## PRODUCT SPECIFICATIONS

FORM NO. MCVP/MCHP/MCDP (07/2021)

### EVAPORATOR COILS FEATURES

- Total Corrosion Protection\* - our advanced evaporator coil helps protect against leaks and corrosion for long term performance
- Microban® antimicrobial additive in the drain pan to resist mold and mildew growth
- Aluminum tubing, hairpins, distributors and header tubes. Copper refrigerant connections for easy brazing to both liquid and suction lines.
- Preformed flanges in outlet for quick and easy plenum connections
- One of the lowest water retention drain pans in the industry to minimize mold and mildew growth
- Interlocking door assemblies and snug line seal grommets to minimize air leakage
- Foil-face insulation for easy cleaning
- Tubing located at door split for easy coil service or cleaning
- All drain pans are compatible with UV lights
- All piston coils are compatible with R22 or R410a
- 10-year limited parts warranty available when applied with a system. See limited warranty document for details.



**MCVP\*NPA**

### Upflow Coils

#### MCVP\*NPA (Cased)

- Dedicated upflow
- External cabinet mounted distributor body designed for easy changing of orifice sizes and fast TXV connections
- Single protruding right side dual drain port for easy installation and service access



**MCHP\*NPA**

### Horizontal Coils

#### MCHP\*NPA (Cased)

- Dedicated horizontal
- Insulated galvanized steel case with durable embossed finish
- Removable panels provide access to coil
- Refrigerant lines extend outside of the cabinet for easy connection



**MCDP\*NPA**

### Downflow Coils

#### MCDP\*NPA (Cased)

- Dedicated downflow
- Heavy-gauge steel constructed cabinet for optimal support of the furnace, no need for additional bracing or structure
- Inlet openings matched to furnace models for easy installation and no adapters needed\*
- Removable Cabinet panels for easy coil service
- Single protruding dual drain port for easy installation and service access

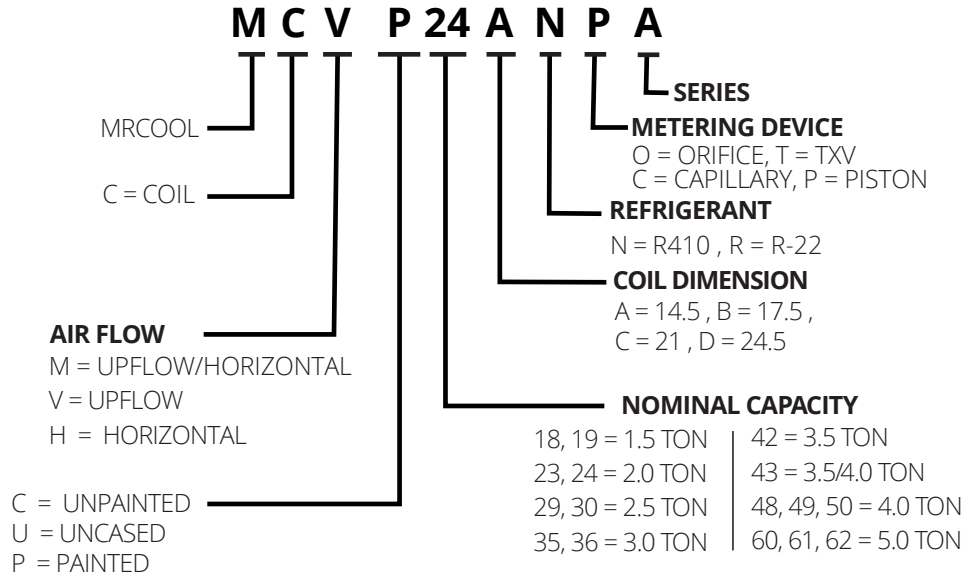
### WARRANTY

10 year limited parts warranty available when applied with a system. See limited warranty document for details.

\* All models feature total corrosion protection on coils except for the MCDP, which utilizes copper tube and aluminum fin technology



**MODEL NUMBER GUIDE**



**MCVP\*NPA****SPECIFICATIONS****1.5 TO 2 TON**

General Data		Cased Model No.	MCVP24ANPA	MCVP24BNPA
Line Connections in.	Suction / vapor o.d. - sweat		3/4	3/4
	Liquid o.d. - sweat		3/8	3/8
	Condensate drain (fpt)		(2) 3/4	(2) 3/4
RFCIV metering device orifice size			0.057	0.057
Shipping Data - lbs.	Cased		38	43

**SPECIFICATIONS****2.5 TO 3 TON**

General Data		Cased Model No.	MCVP30ANPA	MCVP30BNPA
Line Connections in.	Suction / vapor o.d. - sweat		3/4	3/4
	Liquid o.d. - sweat		3/8	3/8
	Condensate drain (fpt)		(2) 3/4	(2) 3/4
RFCIV metering device orifice size			0.067	0.067
Shipping Data - lbs.	Cased		45	50

**SPECIFICATIONS****2.5 TO 4 TON**

General Data		Cased Model No.	MCVP36BNPA	MCVP48BNPA	MCVP48CNPA
		Nominal size - Tons	3	3.5 / 4	3.5 / 4
Line Connections in.	Suction / vapor o.d. - sweat		3/4	7/8	7/8
	Liquid o.d. - sweat		3/8	3/8	3/8
	Condensate drain (fpt)		(2) 3/4	(2) 3/4	(2) 3/4
RFCIV metering device orifice size			0.070	0.071	0.071
Shipping Data - lbs.	Cased		50	55	60

**MCVP\*NPA Continued****SPECIFICATIONS****4 TO 5 TON**

General Data	Cased Model No.	MCVP49CNPA	MCVP60CNPA	MCVP60DNPA
	Nominal size - Tons	4	4	5
Line Connections in.	Suction / vapor o.d. - sweat	7/8	7/8	7/8
	Liquid o.d. - sweat	3/8	3/8	3/8
	Condensate drain (fpt)	(2) 3/4	(2) 3/4	(2) 3/4
RFCIV metering device orifice size		0.076	0.077	0.077
Shipping Data - lbs.	Cased	70	73	72

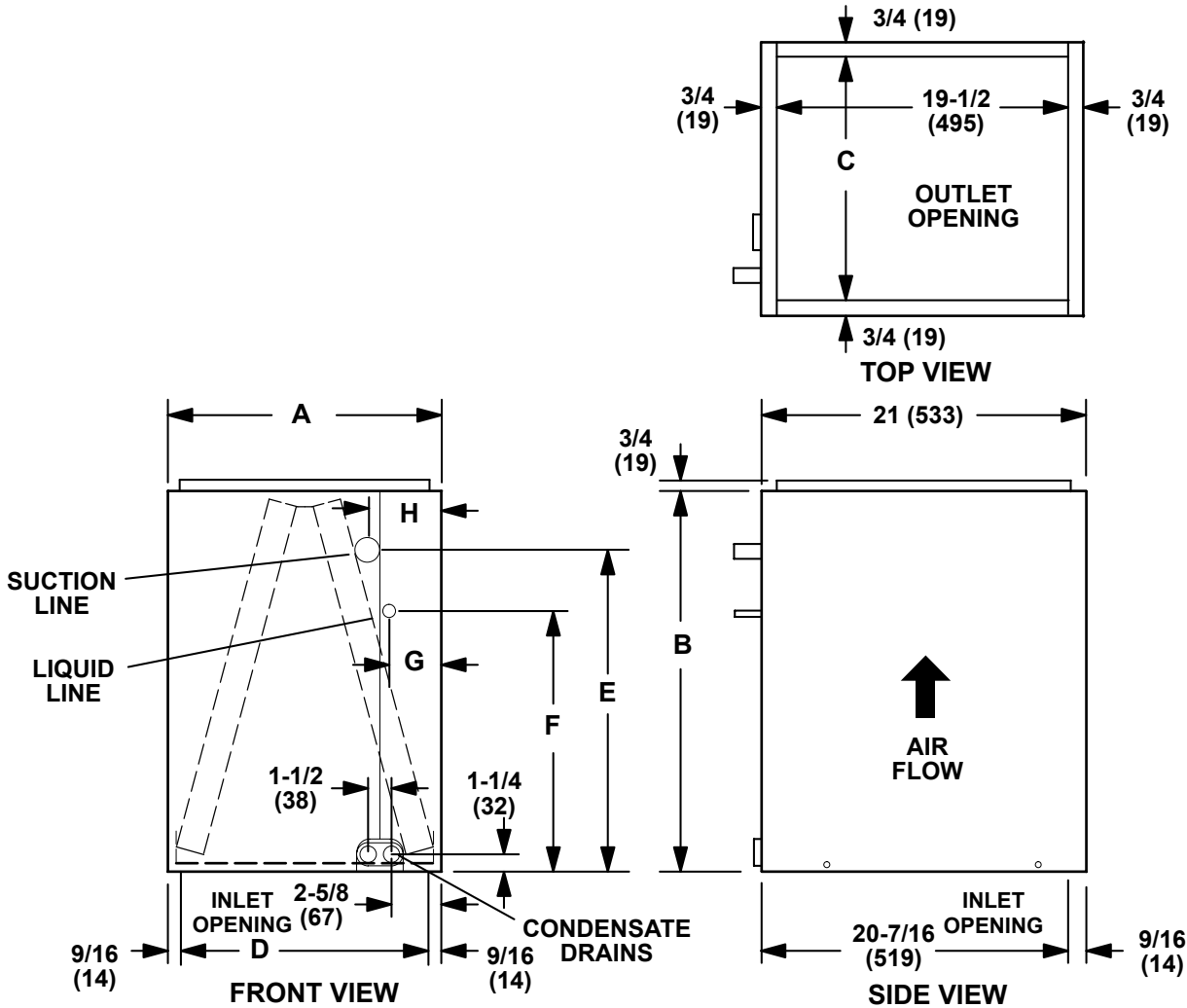
# MCVP\*NPA

## AIR RESISTANCE

Model No.	Air Volume cfm	Total Resistance	
		Dry Coil	Wet Coil
		in. w.g.	in. w.g.
MCVP24ANPA	400	0.05	0.05
	600	0.09	0.10
	800	0.16	0.18
	1000	0.23	0.26
	1200	0.32	0.36
MCVP24BNPA	400	0.03	0.04
	600	0.07	0.09
	800	0.11	0.15
	1000	0.17	0.22
	1200	0.23	0.31
MCVP30ANPA	600	0.07	0.08
	800	0.12	0.13
	1000	0.18	0.20
	1200	0.26	0.28
	1400	0.34	0.37
MCVP30BNPA	600	0.06	0.06
	800	0.09	0.11
	1000	0.13	0.16
	1200	0.19	0.23
	1400	0.25	0.31
MCVP36BNPA	800	0.08	0.11
	1000	0.13	0.16
	1200	0.17	0.21
	1400	0.22	0.28
	1600	0.29	0.34

Model No.	Air Volume cfm	Total Resistance	
		Dry Coil	Wet Coil
		in. w.g.	in. w.g.
MCVP48BNPA	1000	0.13	0.13
	1200	0.18	0.18
	1400	0.23	0.24
	1600	0.30	0.31
	1800	0.37	0.40
MCVP48CNPA	1000	0.07	0.09
	1200	0.10	0.12
	1400	0.13	0.16
	1600	0.16	0.20
	1800	0.20	0.24
MCVP49CNPA	1200	0.08	0.12
	1400	0.13	0.17
	1600	0.17	0.22
	1800	0.22	0.28
	2000	0.28	0.35
MCVP60DNPA	1400	0.11	0.15
	1600	0.14	0.18
	1800	0.17	0.21
	2000	0.21	0.27
	2200	0.25	0.32
	2400	0.30	0.37
MCVP60CNPA	1400	0.15	0.19
	1600	0.19	0.23
	1800	0.24	0.28
	2000	0.29	0.34
	2200	0.33	0.40
	2400	0.39	0.46

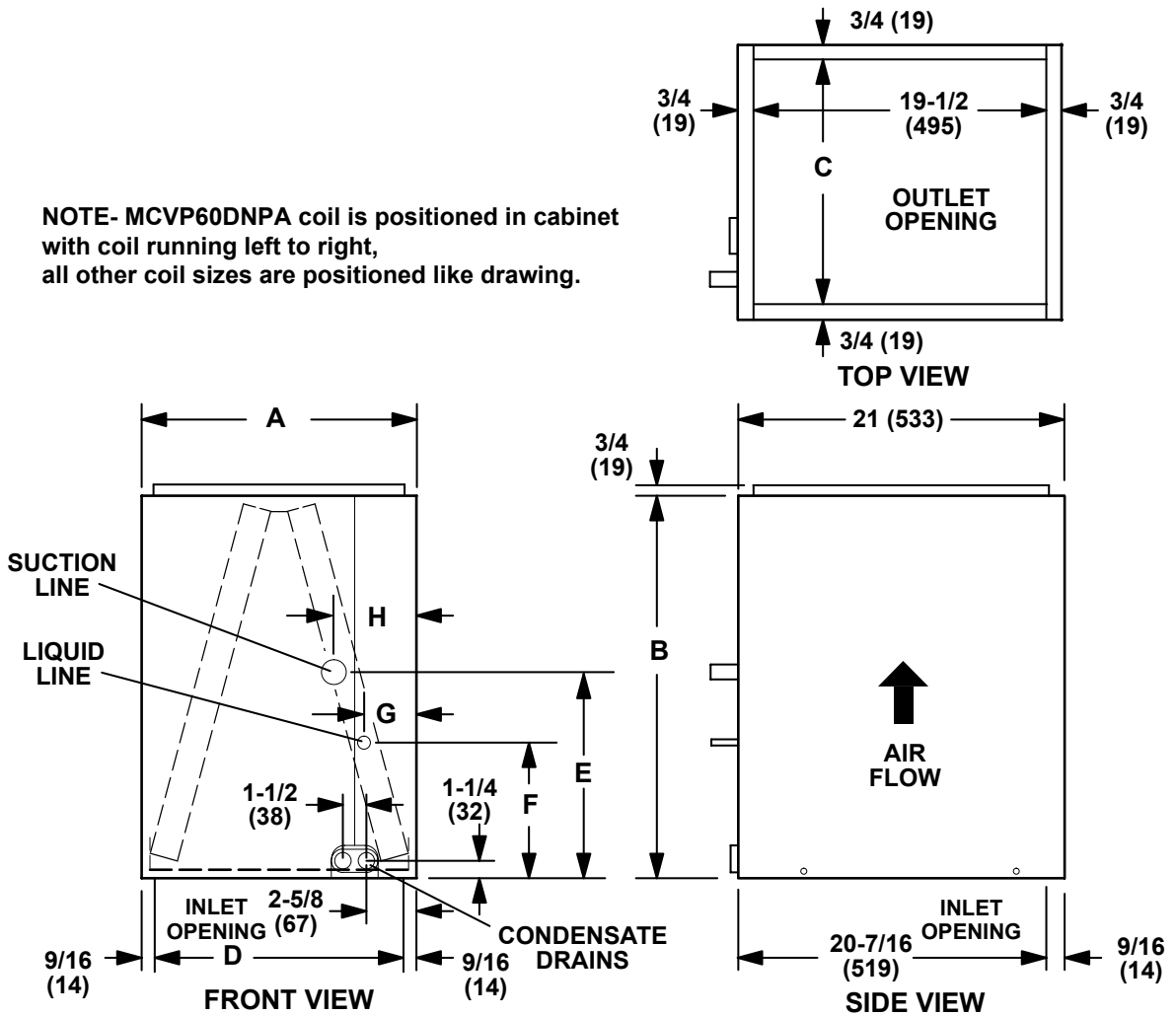
MCVP36BNPA Coil



Model Number	A		B		C		D		E		F		G		H	
	in.	mm	in.	mm	in.	mm	in.	mm	in.	mm	in.	mm	in.	mm	in.	mm
MCVP36BNPA	17-1/2	445	24-1/2	622	16	406	16-3/8	416	13-3/4	350	4-3/4	121	2-5/8	67	3-7/8	98

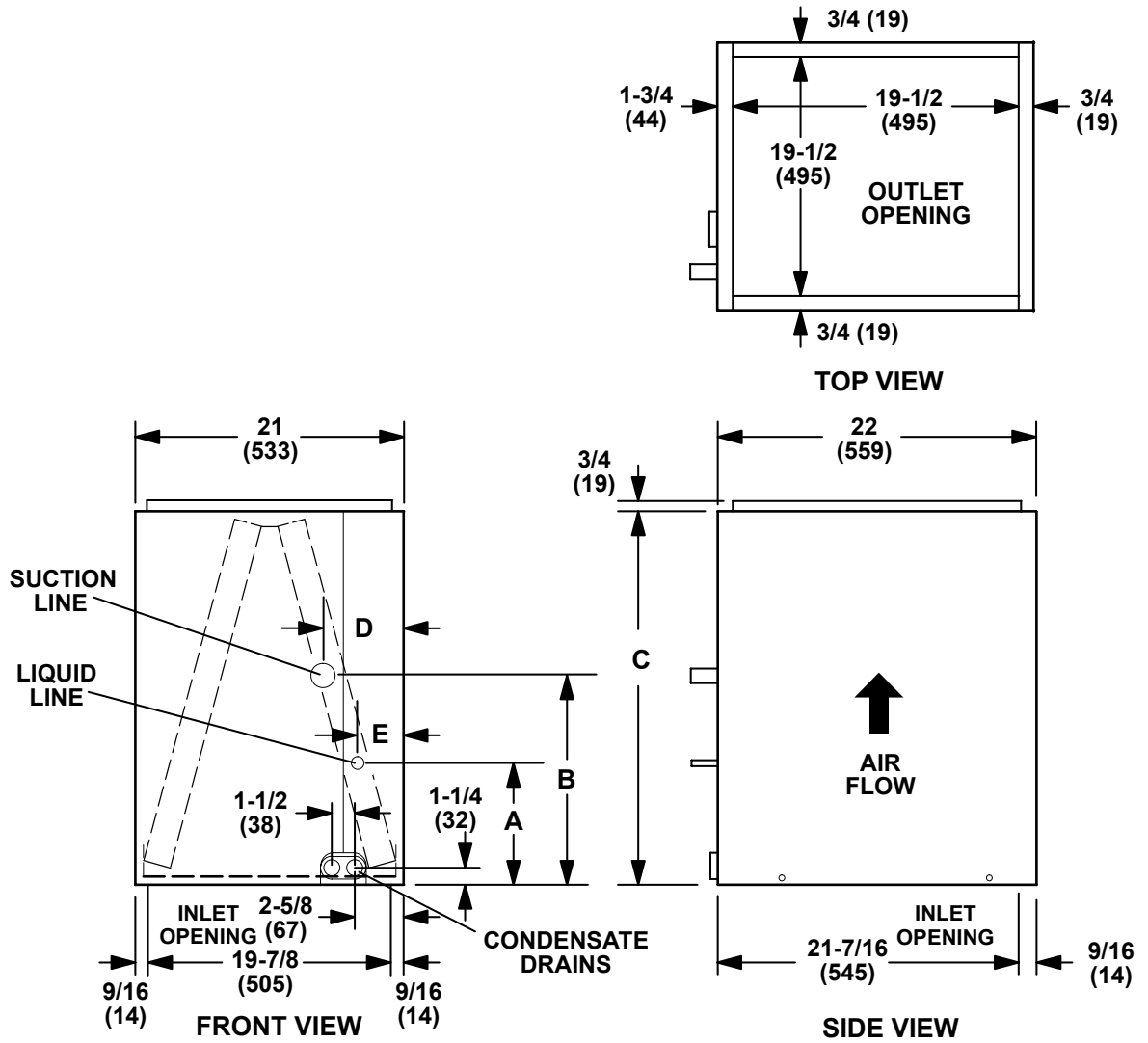
MCVP-24(A/B), -30(A/B), -48(B/C), and -60D Coils

NOTE- MCVP60DNPA coil is positioned in cabinet with coil running left to right, all other coil sizes are positioned like drawing.



Model Number	A		B		C		D		E		F		G		H	
	in.	mm	in.	mm	in.	mm	in.	mm	in.	mm	in.	mm	in.	mm	in.	mm
MCVP24ANPA	14-1/2	368	18-1/2	470	13	330	13-3/8	340	10-1/8	257	3-3/8	86	3	76	3-7/8	98
MCVP24BNPA	17-1/2	445	18-1/2	470	16	406	16-3/8	416	10	254	3-1/2	89	3	76	3-7/8	98
MCVP30ANPA	14-1/2	368	22-1/2	572	13	330	13-3/8	340	12	305	3-3/8	86	3	76	3-7/8	98
MCVP30BNPA	17-1/2	445	22-1/2	572	16	406	16-3/8	416	10-1/2	267	3-3/8	86	3	76	3-7/8	98
MCVP48BNPA	17-1/2	445	27-1/2	699	16	406	16-3/8	416	12-7/8	327	3-7/8	98	3	76	4	102
MCVP48CNPA	21	533	27-1/2	699	19-1/2	495	19-7/8	505	12-1/2	318	4-3/4	121	2-3/4	70	3-1/2	89
MCVP60DNPA	24-1/2	622	29-1/2	749	23	584	23-3/8	594	15-1/8	384	4-1/2	121	1-5/8	41	2-5/8	67

MCVP-49C and MCVP-60C



Model Number	A		B		C		D		E	
	in.	mm	in.	mm	in.	mm	in.	mm	in.	mm
MCVP49CNPA	4-3/4	121	12-1/8	308	29-1/2	749	3-3/8	86	2-1/2	64
MCVP60CNPA	4-3/4	121	14-1/2	368	31-1/2	800	3-3/8	86	2-1/2	64



# MCHP\*NPA

SPECIFICATIONS						1.5 TO 3 TON
General Data	Model No.	MCHP24ANPA	MCHP24BNPA	MCHP30ANPA	MCHP30BNPA	MCHP36BNPA
	Nominal size - Tons	2	2	2.5	2.5	3
Line connections in.	Suction o.d. - sweat	7/8	7/8	7/8	7/8	7/8
	Liquid o.d. - sweat	3/8	3/8	3/8	3/8	3/8
	Condensate drain (fpt)	(2) 3/4	(2) 3/4	(2) 3/4	(2) 3/4	(2) 3/4
Shipping Data - lbs.		45	49	55	53	48

SPECIFICATIONS					3 TO 5 TON
General Data	Model No.	MCHP48BNPA	MCHP48CNPA	MCHP51CNPA	MCHP60DNPA
	Nominal size - Tons	3.5/4	3.5/4	4	5
Line connections in.	Suction o.d. - sweat	7/8	7/8	7/8	7/8
	Liquid o.d. - sweat	3/8	3/8	3/8	3/8
	Condensate drain (fpt)	(2) 3/4	(2) 3/4	(2) 3/4	(2) 3/4
Shipping Data - lbs.		60	59	69	78

# MCHP\*NPA

## AIR RESISTANCE

Total Air Resistance - in. w.g.

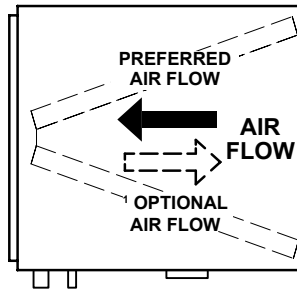
Air Volume (cfm)	MCHP24ANPA		MCHP24BNPA		MCHP30ANPA		MCHP30BNPA		MCHP36BNPA	
	Dry Coil	Wet Coil	Dry Coil	Wet Coil	Dry Coil	Wet Coil	Dry Coil	Wet Coil	Dry Coil	Wet Coil
200	---	---	---	---	---	---	---	---	---	---
400	0.04	0.05	0.03	0.04	0.04	0.05	0.02	0.02	---	---
600	0.09	0.11	0.05	0.07	0.09	0.10	0.05	0.06	---	---
800	0.15	0.19	0.09	0.11	0.15	0.17	0.09	0.11	0.08	0.10
1000	0.23	0.29	0.15	0.17	0.24	0.27	0.14	0.16	0.11	0.16
1200	0.32	0.40	0.21	0.23	0.34	0.38	0.19	0.23	0.16	0.21
1400	0.43	0.50	0.28	0.30	0.45	0.51	0.26	0.30	0.21	0.27
1600	---	---	---	---	---	---	---	---	0.27	0.35

## AIR RESISTANCE

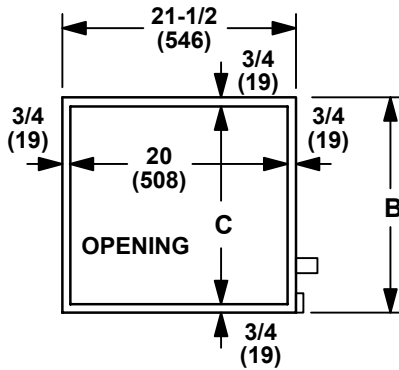
Air Volume (cfm)	MCHP48BNPA		MCHP48CNPA		MCHP51CNPA		MCHP60DNPA	
	Dry Coil	Wet Coil	Dry Coil	Wet Coil	Dry Coil	Wet Coil	Dry Coil	Wet Coil
800	---	---	---	---	---	---	---	---
1000	0.14	0.16	---	---	---	---	---	---
1200	0.19	0.23	0.16	0.19	0.15	0.16	---	---
1400	0.25	0.29	0.21	0.26	0.20	0.23	0.12	0.16
1600	0.30	0.38	0.27	0.30	0.25	0.29	0.16	0.20
1800	0.38	0.42	0.33	0.39	0.31	0.36	0.20	0.24
2000	---	---	0.39	0.49	0.40	0.44	0.24	0.30
2200	---	---	---	---	0.48	0.54	0.29	0.36
2400	---	---	---	---	---	---	0.34	0.42

MCHP24 Through MCHP60

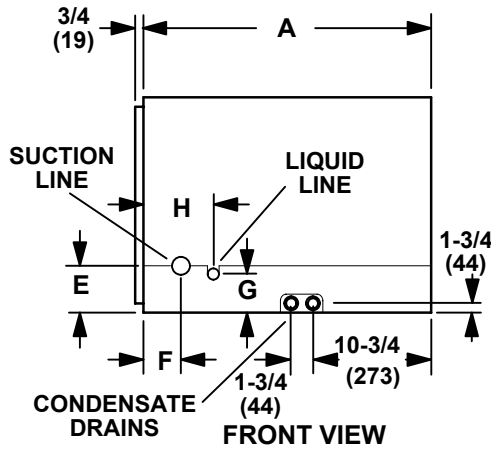
<sup>1</sup> Optional right-hand airflow requires a field fabricated 6 in. (152 mm) spacer in-between the furnace and coil.



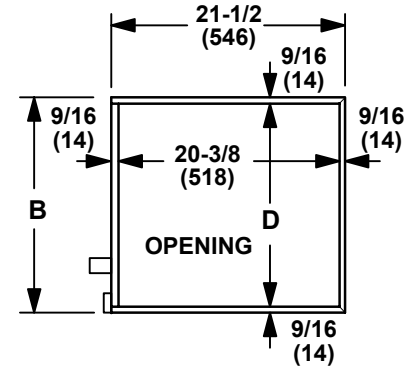
TOP VIEW



END VIEW



FRONT VIEW



END VIEW

Model No.	A		B		C		D		E		F		G		H	
	in.	mm	in.	mm	in.	mm	in.	mm	in.	mm	in.	mm	in.	mm	in.	mm
MCHP24ANPA	26-1/2	673	14-1/2	368	13	330	13-3/8	340	3-3/8	86	2-1/8	54	3-5/8	92	4-7/8	124
MCHP24BNPA	26-1/2	673	17-1/2	444	16	406	16-3/8	416	3-3/8	86	2-1/8	54	3-5/8	92	4-7/8	124
MCHP30ANPA	31-1/2	800	14-1/2	368	13	330	13-3/8	340	3-3/8	86	2-1/8	54	3-5/8	92	4-7/8	124
MCHP30BNPA	26-1/2	673	17-1/2	444	16	406	16-3/8	416	3-3/8	86	2-1/8	54	3-5/8	92	4-7/8	124
MCHP36BNPA	26-1/2	673	17-1/2	444	16	406	16-3/8	416	3-3/8	86	2-1/8	54	3-5/8	92	4-7/8	124
MCHP48BNPA	31-1/2	800	17-1/2	444	16	406	16-3/8	416	3-3/8	86	2-1/8	54	3-5/8	92	4-7/8	124
MCHP48CNPA	26-1/2	673	21	533	19-1/2	495	19-7/8	505	3-3/8	86	2-1/8	54	3-5/8	92	4-7/8	124
MCHP51CNPA	31-1/2	800	21	533	19-1/2	495	19-7/8	505	3-3/8	86	2-1/8	54	3-5/8	92	4-7/8	124
MCHP60DNPA	31-1/2	800	24-1/2	622	23	584	23-3/8	594	3-3/8	86	2-1/8	54	3-5/8	92	4-7/8	124

## MCDP\*NPA

SPECIFICATIONS						1.5 TO 3 TON
General Data	Model No.	MCDP0018ANPA	MCDP0024ANPA	MCDP0024BNPA	MCDP3036ANPA	MCD3036BNPA
	Nominal size - Tons	1.5 / 2	2	2	2.5 / 3	2.5 / 3
Line Connections in.	Suction / vapor o.d. - sweat	7/8	7/8	7/8	7/8	7/8
	Liquid o.d. - sweat	3/8	3/8	3/8	3/8	3/8
	Condensate drain (fpt)	(2) 3/4	(2) 3/4	(2) 3/4	(2) 3/4	(2) 3/4
Shipping Data - lbs.		44	44	49	58	57

SPECIFICATIONS						2.5 TO 5 TON
General Data	Model No.	MCDP3036CNPA	MCDP0048BNPA	MCDP0048CNPA	MCDP5060CNPA	MCDP0060DNPA
	Nominal size - Tons	2.5 / 3	4	4	4 / 5	5
Line Connections in.	Suction / vapor o.d. - sweat	7/8	7/8	7/8	7/8	7/8
	Liquid o.d. - sweat	3/8	3/8	3/8	3/8	3/8
	Condensate drain (fpt)	(2) 3/4	(2) 3/4	(2) 3/4	(2) 3/4	(2) 3/4
Shipping Data - lbs.		60	72	71	85	84

## MCDP\*NPA

### AIR RESISTANCE

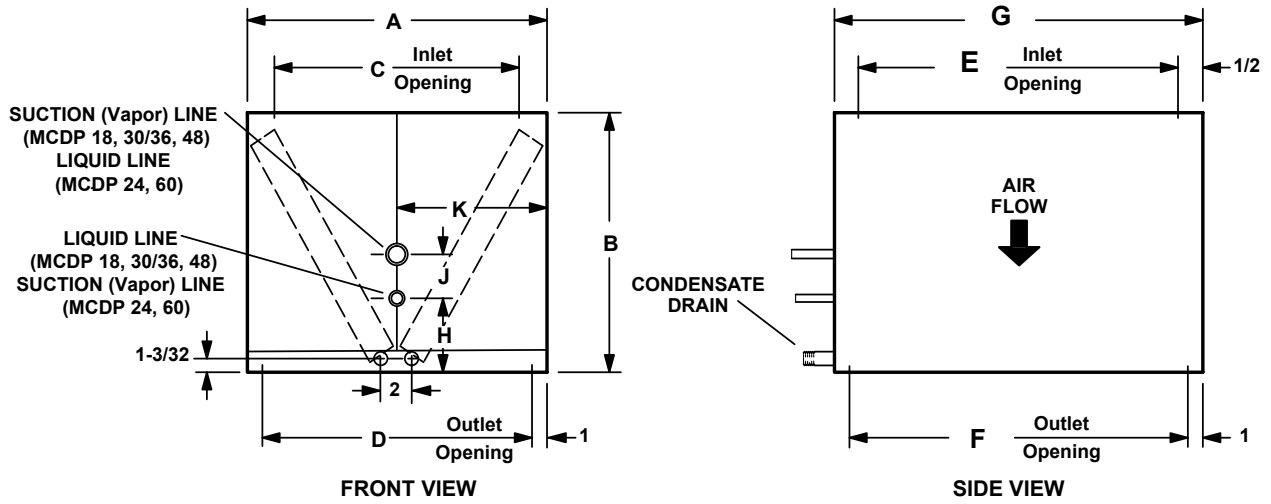
Model No.	Dry Coil		Wet Coil		Model No.	Dry Coil		Wet Coil	
	Air Volume	Total Resistance	Air Volume	Total Resistance		Air Volume	Total Resistance	Air Volume	Total Resistance
	cfm	in. w.g.	cfm	in. w.g.		cfm	in. w.g.	cfm	in. w.g.
MCDP0018 ANPA	370	0.05	255	0.05	MCDP0024 ANPA	315	0.05	335	0.05
	510	0.08	305	0.07		465	0.09	490	0.10
	645	0.10	355	0.09		595	0.14	600	0.15
	815	0.15	395	0.12		725	0.20	705	0.20
	980	0.20	435	0.15		825	0.25	790	0.25
	1115	0.25	520	0.18		910	0.30	870	0.30
	1250	0.30	600	0.20		1000	0.35	940	0.35
	1395	0.35	690	0.25		1080	0.40	1020	0.40
	1535	0.40	775	0.30		1225	0.50	1090	0.45
	1645	0.45	845	0.35		1370	0.60	1160	0.51
	1760	0.50	920	0.39					
	1870	0.55	1505	0.50					

# MCDP\*NVA

## AIR RESISTANCE

Model No.	Dry Coil		Wet Coil		Model No.	Dry Coil		Wet Coil	
	Air Volume	Total Resistance	Air Volume	Total Resistance		Air Volume	Total Resistance	Air Volume	Total Resistance
	cfm	in. w.g.	cfm	in. w.g.		cfm	in. w.g.	cfm	in. w.g.
<b>MCDP0024 BNPA</b>	400	0.06	400	0.07	<b>MCDP0048 BNPA</b>	1200	0.14	1200	0.17
	500	0.09	500	0.10		1300	0.16	1300	0.20
	600	0.13	600	0.15		1400	0.19	1400	0.23
	700	0.17	700	0.20		1500	0.22	1500	0.26
	800	0.23	800	0.26		1600	0.25	1600	0.29
	900	0.27	900	0.32		1700	0.28	1700	0.32
	1000	0.33	1000	0.39		1800	0.30	1800	0.36
	1100	0.39	1100	0.46		1900	0.34	1900	0.42
	1200	0.47	1200	0.54		2000	0.37	2000	0.45
	<b>MCDP3036 ANPA</b>	600	0.10	600		0.10	<b>MCDP0048 CNPA</b>	595	0.05
700		0.13	700	0.14	860	0.10		820	0.10
800		0.16	800	0.18	1060	0.15		995	0.15
900		0.20	900	0.23	1235	0.20		1170	0.20
1000		0.24	1000	0.27	1395	0.25		1320	0.25
1100		0.28	1100	0.32	1545	0.30		1445	0.30
1200		0.33	1200	0.38	1675	0.35		1575	0.35
1300		0.38	1300	0.43	1805	0.40		1710	0.40
1400	0.43	1400	0.49	1925	0.45	1825		0.45	
<b>MCDP3036 BNPA</b>	525	0.05	410	0.05	2030	0.50		1915	0.50
	660	0.08	495	0.08	<b>MCDP5060 CNPA</b>	1395	0.17	1400	0.19
	795	0.10	580	0.10		1500	0.19	1500	0.22
	980	0.15	785	0.15		1605	0.21	1600	0.24
	1165	0.20	995	0.20		1700	0.24	1710	0.27
	1320	0.25	1155	0.25		1805	0.27	1800	0.31
	1475	0.30	1320	0.30		1905	0.29	1890	0.33
	1605	0.35	1465	0.35		2000	0.32	2000	0.36
	1735	0.40	1610	0.40		2105	0.35	2105	0.40
	1805	0.43	1730	0.45		2200	0.39	2190	0.45
1875	0.46	1850	0.50	<b>MCDP0060 DNPA</b>		1395	0.17	1400	0.19
<b>MCDP3036 CNPA</b>	600	0.06	600		0.07	1500	0.19	1500	0.22
	700	0.08	700		0.10	1605	0.21	1600	0.24
	800	0.10	800		0.13	1700	0.24	1710	0.27
	900	0.13	900		0.17	1805	0.27	1800	0.31
	1000	0.16	1000		0.21	1905	0.29	1890	0.33
	1100	0.19	1100		0.25	2000	0.32	2000	0.36
	1200	0.22	1200		0.29	2105	0.35	2105	0.40
	1300	0.26	1300	0.34	2200	0.39	2190	0.45	
1400	0.29	1400	0.38						

MCDP\*NPA



NOTE - Liquid and Suction Line locations are reversed on MCDP24 and MCDP60 models.

Model Number	A	B	C	D	E	F	G	H	J	K
	in.	in.	in.	in.	in.	in.	in.	in.	in.	in.
MCDP0018ANPA	17-1/2	14-1/8	13-1/2	15-1/2	22-5/8	23-3/16	26-1/8	6 1/4	3	8 3/4
MCDP0024ANPA	17-1/2	14-1/8	13-1/2	15-1/2	22-5/8	23-3/16	26-1/8	5	5	8 3/4
MCDP0024BNPA	17-1/2	14-1/8	16-1/2	15-1/2	22-5/8	23-3/16	26-1/8	5	5	8 3/4
MCDP3036ANPA	17-1/2	16-1/8	13-1/2	15-1/2	22-5/8	23-3/16	26-1/8	6 1/8	3	8 3/4
MCDP3036BNPA	17-1/2	16-1/8	16-1/2	15-1/2	22-5/8	23-3/16	26-1/8	6 1/8	3	8 3/4
MCDP3036CNPA	21	16-1/8	20	19	22-5/8	23-3/16	26-1/8	6 1/8	3	10 1/2
MCDP0048BNPA	21	20	16-1/2	19	22-5/8	23-3/16	26-1/8	8 1/8	4	10 1/2
MCDP0048CNPA	21	20	20	19	22-5/8	23-3/16	26-1/8	8 1/8	4	10 1/2
MCDP5060CNPA	24-1/2	23-5/8	20	22-1/2	22-5/8	23-3/16	26-1/8	3 1/2	17-3/16	12 1/4
MCDP0060DNPA	24-1/2	23-5/8	23-1/2	22-1/2	22-5/8	23-3/16	26-1/8	3 1/2	17-3/16	12 1/4



**MRCOOL®**

COMFORT MADE SIMPLE

1-270-366-0457

©2021 MRCOOL LLC.

All specifications and illustrations subject to change without notice and without incurring obligations.