



# Baseboard Heater K Series



### Model Code:

|   |   |    |    |    |      |
|---|---|----|----|----|------|
| 4 | K | 24 | 10 | BW | -HAL |
| A | B | C  | D  | E  | F    |

A: Length  
 B: Series  
 C: Volts  
 D: Watts (375 to 2400)  
 E: Color (BW) Bright White (A) Almond  
 F: -HAL (High Altitude Limit)



- Aluminum ribbon fin element
- Full length safety cutout
- Crushproof element
- Natural convection heat
- Back wire design
- Built-in clamps coming soon
- Baked enamel finish
- Dent resistant die form cover
- 120, 208, 240 or 277 volts
- Available high altitude limit option
- Standard color: bright white (optional almond color)
- 1-year limited warranty

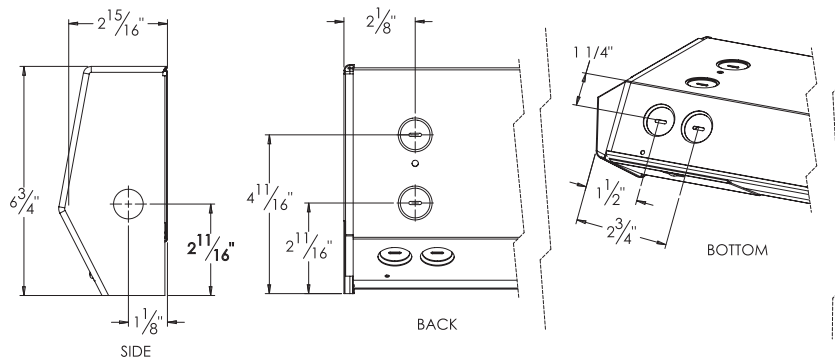


## The K Series Baseboard Heater

**Baseboard heaters** are an economical way to provide heat. They are typically used in apartment construction and other rental properties because of low initial cost and maintenance. Quality components guarantee a long-lasting, reliable heater. Standard color is bright white. Almond color available. Institutional grade 18 gauge front covers and 22 gauge back cans are available for special applications. All other specifications are the same as the standard heater.



### Dimensional Data Standard Backwire Junction Box



## Engineering Specifications

Contractor shall supply and install K Series electric convection baseboard heaters manufactured by King Electrical Mfg. Company of the wattage, voltage and length indicated on the plans.

### Construction:

- The heater shall take room air in the bottom (lower front) and discharge it through the top front.
- The heater front, back, bottom, and top shall be fabricated 22 gauge steel, ribbed longitudinally for extra strength and have center support to resist impact loads.
- The heater casing shall have modern rounded ends and corners to provide a smooth appearance, finished with a baked enamel.
- The heater shall be provided with a continuous capillary sensor tube for thermal protection, extending the full length of the heating element, rated at 175° F, and be a fail-safe type.

- The heater shall have a 44 cubic inch junction box at both ends, furnished with five  $\frac{1}{2}$ " knockouts located on the back, bottom, and side.
- Heater elements shall consist of high quality 80% Nickel and 20% Chromium alloy corrosion-resistant wire completely surrounded by Magnesium Oxide and enclosed in a rust-resistant sheath. Ribbon aluminum finning shall be compression welded to the sheathed element to provide chimney-type flue for heat transfer.
- Heaters shall be supplied with a one year limited warranty.

### Rating and Approval:

- The heaters shall be available in ratings from 375 through 1,500 Watts at 120 Volts, and 375 to 2,400 Watts at 208-240 and 277 Volts.
- The heaters shall be available in 187 or 250 Watts per lineal foot.
- cULus (E29778)

# Baseboard Heater K Series

**Ordering Information** Standard models Add suffix BW for bright white color and A for optional almond color.

|             | MODEL  | VOLTS   | WATTS     | AMPS     | LENGTH | SHIP WEIGHT lbs |
|-------------|--------|---------|-----------|----------|--------|-----------------|
| <b>120V</b> | 2K1205 | 120     | 500       | 4.2      | 27"    | 6.5             |
|             | 3K1207 | 120     | 750       | 6.3      | 3 ft.  | 8               |
|             | 4K1210 | 120     | 1000      | 8.3      | 4 ft.  | 10.5            |
|             | 5K1212 | 120     | 1250      | 10.4     | 5 ft.  | 13              |
|             | 6K1215 | 120     | 1500      | 12.5     | 6 ft.  | 15              |
| <b>208V</b> | 2K2005 | 208     | 500       | 2.4      | 27"    | 6.5             |
|             | 3K2007 | 208     | 750       | 3.6      | 3 ft.  | 8               |
|             | 4K2010 | 208     | 1000      | 4.8      | 4 ft.  | 10.5            |
|             | 5K2012 | 208     | 1250      | 6.0      | 5 ft.  | 13              |
|             | 6K2015 | 208     | 1500      | 7.2      | 6 ft.  | 15              |
| <b>240V</b> | 8K2020 | 208     | 2000      | 9.6      | 8 ft.  | 19              |
|             | 8K2024 | 208     | 2400      | 11.5     | 8 ft.  | 19              |
|             | 2K2405 | 240/208 | 500/375   | 2.1/1.8  | 27"    | 6.5             |
|             | 3K2407 | 240/208 | 750/563   | 3.1/2.7  | 3 ft.  | 8               |
|             | 4K2410 | 240/208 | 1000/750  | 4.2/3.7  | 4 ft.  | 10.5            |
| <b>277V</b> | 5K2412 | 240/208 | 1250/938  | 5.2/4.5  | 5 ft.  | 13              |
|             | 6K2415 | 240/208 | 1500/1125 | 6.3/5.5  | 6 ft.  | 15              |
|             | 8K2420 | 240/208 | 2000/1500 | 8.3/7.2  | 8 ft.  | 19              |
|             | 8K2424 | 240/208 | 2400/1800 | 10.0/8.7 | 8 ft.  | 19              |
|             | 2K2403 | 277     | 500       | 1.8      | 27"    | 6.5             |
| <b>277V</b> | 3K2405 | 277     | 750       | 2.7      | 3 ft.  | 8               |
|             | 4K2407 | 277     | 1000      | 3.6      | 4 ft.  | 10.5            |
|             | 5K2410 | 277     | 1250      | 4.5      | 5 ft.  | 13              |
|             | 6K2412 | 277     | 1500      | 5.4      | 6 ft.  | 15              |
|             | 8K2415 | 277     | 2000      | 7.2      | 8 ft.  | 19              |
|             | 8K2418 | 277     | 2400      | 9.0      | 8 ft.  | 19              |

**Ordering Information** \*Low Density: 187 Watts per foot Add suffix BW for bright white color and A for optional almond color.

|  | MODEL  | VOLTS | WATTS | AMPS | LENGTH | SHIP WEIGHT lbs |
|--|--------|-------|-------|------|--------|-----------------|
|  | 2K2405 | 208   | 375   | 1.8  | 27"    | 6.5             |
|  | 3K2407 | 208   | 563   | 2.7  | 3 ft.  | 8               |
|  | 4K2410 | 208   | 750   | 3.6  | 4 ft.  | 10.5            |
|  | 5K2412 | 208   | 938   | 4.5  | 5 ft.  | 13              |
|  | 6K2415 | 208   | 1125  | 5.4  | 6 ft.  | 15              |
|  | 8K2420 | 208   | 1500  | 7.2  | 8 ft.  | 19              |
|  | 8K2424 | 208   | 1800  | 9.0  | 8 ft.  | 19              |
|  | 2K2403 | 240   | 375   | 1.6  | 27"    | 6.5             |
|  | 3K2405 | 240   | 563   | 2.3  | 3 ft.  | 8               |
|  | 4K2407 | 240   | 750   | 3.1  | 4 ft.  | 10.5            |
|  | 5K2410 | 240   | 938   | 3.9  | 5 ft.  | 13              |
|  | 6K2412 | 240   | 1125  | 4.7  | 6 ft.  | 15              |
|  | 8K2415 | 240   | 1500  | 6.3  | 8 ft.  | 19              |
|  | 8K2418 | 240   | 1800  | 7.8  | 8 ft.  | 19              |

## Factory Installed Options

| ADD SUFFIX | DESCRIPTION   | SHIP WEIGHT lbs |
|------------|---|-----------------|
| BW         | Bright White Color  | 0               |
| A          | Almond Color  | 0               |
| -HAL       | High Altitude Limit (For Baseboards Used Above 7,000 Feet Altitude) | N/A             |
| -BK        | Optional Backwire Junction Box                                      | N/A             |

## Accessories

| MODEL           | UPC   | DESCRIPTION  | SHIP WEIGHT lbs |
|-----------------|-------|--|-----------------|
| BK-COVER-A      | 55517 | J-BOX Cover, K/CB Base Board, Blank, Almond                                | 0.2             |
| BK-COVER-BW     | 55518 | J-BOX Cover, K/CB Base Board, Blank, Bright White                          | 0.2             |
| BKT1BW          | 11484 | Built-In Thermostat Kit (SPST) - Bright White (Available in 5 Packs)       | 0.6             |
| BKT2BW          | 11488 | Built-In Thermostat Kit (DPST) - Bright White (Available in 5 Packs)       | 0.5             |
| BKT1A           | 20657 | Built-In Thermostat Kit (SPST) - Almond (Available in 5 Packs)             | 0.6             |
| BKT2A           | 14889 | Built-In Thermostat Kit (SPST) - Almond (Available in 5 Packs)             | 0.6             |
| BKT1BW-TP       | 11542 | Built-In Tamperproof Stat Kit (SPST) - Bright White (Available in 5 Packs) | 0.3             |
| BKT2BW-TP       | 11544 | Built-In Tamperproof Stat Kit (DPST) - Bright White (Available in 5 Packs) | 0.6             |
| BKT-TIMER3HR-BW | 11487 | 3 Hour spring wound timer/wire leads 16 amp/250 Vac. 15 Amp/125 Vac.       | 0.6             |

# Baseboard Heater Accessories K & CB Series

## Accessories

| MODEL       | UPC   | DESCRIPTION  | SHIP WEIGHT lbs |
|-------------|-------|--|-----------------|
| BKC-BW      | 11474 | Corner Connector - Bright White, inside cover                            | 1.5             |
| BKR120-BW   | 11494 | Duplex Cover Plate (includes 120V receptacle) - Bright White (See below) | 0.5             |
| BKLT120-BW* | 11481 | Load Transfer Cover Plate (Heat/Cool/Off) 120V - Bright White            | 0.5             |
| BKLT240-BW* | 11483 | Load Transfer Cover Plate (Heat/Cool/Off) 240V - Bright White            | 0.5             |
| BKCB1-BW    | 11532 | 3-3/4" Relay Control Box - Bright White                                  | 1.5             |
| BKCB2-BW    | 11534 | 7-1/8" Dual Relay Control Box - Bright White                             | 3.0             |

\*Requires BKCB1 Control box, order separately.

## Shield Options \* Specify Color: Almond or White NON Cancel-able - NON Returnable item (NCNR)

| MODEL       | UPC   | DESCRIPTION                     | SHIP WEIGHT lbs |
|-------------|-------|---------------------------------|-----------------|
| SHIELD-33"  | 10290 | Heater Shield for 27" Baseboard | 6               |
| SHIELD-42"  | 10291 | Heater Shield for 3' Baseboard  | 7               |
| SHIELD-54"  | 10292 | Heater Shield for 4' Baseboard  | 8.5             |
| SHIELD-66"  | 10293 | Heater Shield for 5' Baseboard  | 10              |
| SHIELD-78"  | 10294 | Heater Shield for 6' Baseboard  | 11              |
| SHIELD-102" | 10295 | Heater Shield for 8' Baseboard  | 14              |

## Cover Options \* Specify Color: Almond or White NON Cancel-able - NON Returnable item (NCNR)

| MODEL            | UPC   | DESCRIPTION                      | SHIP WEIGHT lbs |
|------------------|-------|----------------------------------|-----------------|
| BB-18ga Cover 2' | 52054 | 18 Gauge Cover for 27" Baseboard | 1.5             |
| BB-18ga Cover 3' | 52056 | 18 Gauge Cover for 3' Baseboard  | 2               |
| BB-18ga Cover 4' | 52058 | 18 Gauge Cover for 4' Baseboard  | 2.6             |
| BB-18ga Cover 5' | 52060 | 18 Gauge Cover for 5' Baseboard  | 3.7             |
| BB-18ga Cover 6' | 52062 | 18 Gauge Cover for 6' Baseboard  | 4               |
| BB-18ga Cover 8' | 52064 | 18 Gauge Cover for 8' Baseboard  | 5.3             |

## Thermostats, Options & Accessories

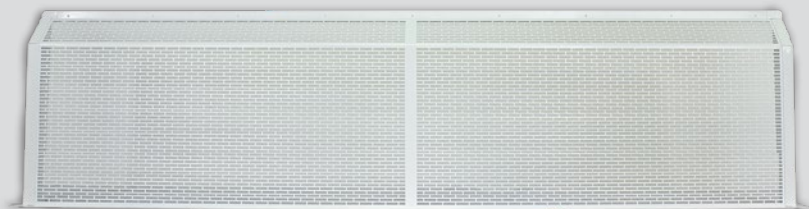


\*Shown with box

BKT-TIMER3HR-BW

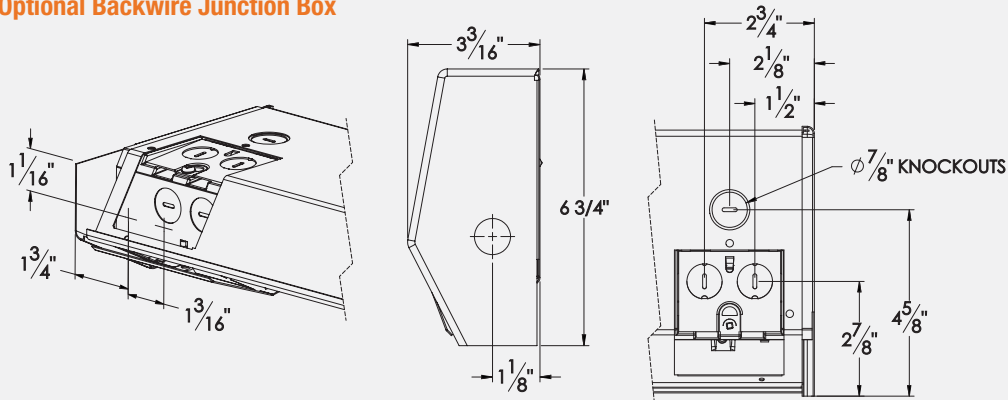


Heater Shield



# Baseboard Heater Accessories K & CB Series

## Optional Backwire Junction Box



## Crush Proof Design

