

Wall Heater PX ComfortCraft Series



Model Code:

PX 24 17 -WD -R
A B C D E

A: Series
B: 12 - 120V 20 - 208V 24 - 240V
C: Watts 15-(750-1500W)
17-(750-1750W)
D: Color
E: Color Box Packaging

ComfortCraft



Pic-A-Watt
Selectable Wattage Element



- Modern curved design
- Pic-A-Watt® element
- Multiple wattage options
- Whisper quiet blower design
- Zonal heating systems save money
- C-Frame motor
- Patented Smart Limit Protection®
- 20 gauge powder-coated grill
- Standard color: white dove
- Designer colors available
- 120, 208, 240 volts
- 5 Year limited warranty



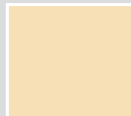
The PX ComfortCraft Series Wall Heater

King refines comfort with the modern architectural design of the PX ComfortCraft series wall heater. The PX series heater delivers nearly 100% efficient electric heat, perfect for large living areas yet whisper quiet enough for bedrooms. The premium combination of an efficient high-mass steel element and whisper quiet squirrel cage blower, offers top of the class performance and years of trouble-free operation. PX comes with five year warranty and 30+ year history of reliability. For best results use with an electronic line voltage wall thermostat. Also available with a built-in thermostat. King's exclusive Pic-A-Watt® heating element allows customers to select from a range of wattage options, tailoring the heater to a room's specific heating requirements. For smaller areas, choose a lower wattage to efficiently heat the room. For larger rooms, choose a higher wattage and maximize comfort. It's as easy as unplugging a wire to select the wattage during installation. Now That's Smart!

DESIGNER COLORS AVAILABLE



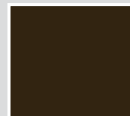
White Dove



Almondine



Satin Nickel



Oiled Bronze

"Complete" Stock Models For other color grill options use "Order A'la Carte" chart below to build your own complete heater.

BASE MODEL	VOLTS	COLOR	WATTS	AMPS	SHIP WEIGHT lbs
PX1215-WD-R	120	White Dove	250•500•750•1000•1250•1500	2.1 - 12.5	12.5
PX1215-AD-R	120	Almondine	250•500•750•1000•1250•1500	2.1 - 12.5	12.5
PX1215-SN-R	120	Satin Nickel	250•500•750•1000•1250•1500	2.1 - 12.5	12.5
PX1215-OB-R	120	Oiled Bronze	250•500•750•1000•1250•1500	2.1 - 12.5	12.5
PX2017-WD-R	208	White Dove	250•500•750•1000•1250•1500 • 1750	1.2 - 8.4	12.5
PX2017-AD-R	208	Almondine	250•500•750•1000•1250•1500 • 1750	1.2 - 8.4	12.5
PX2017-SN-R	208	Satin Nickel	250•500•750•1000•1250•1500 • 1750	1.2 - 8.4	12.5
PX2017-OB-R	208	Oiled Bronze	250•500•750•1000•1250•1500 • 1750	1.2 - 8.4	12.5
PX2417-WD-R	240/208*	White Dove	250•500•750•1000•1250•1500 • 1750	1.1 - 7.3	12.5
PX2417-AD-R	240/208*	Almondine	250•500•750•1000•1250•1500 • 1750	1.1 - 7.3	12.5
PX2417-SN-R	240/208*	Satin Nickel	250•500•750•1000•1250•1500 • 1750	1.1 - 7.3	12.5
PX2417-OB-R	240/208*	Oiled Bronze	250•500•750•1000•1250•1500 • 1750	1.1 - 7.3	12.5

(-R) Full color consumer packaging

*Dual rated heaters will draw 13% less amps and 25% less wattage when operated at 208V.

NOTE: Not all configurations listed above are stock items (A+ or A stock code). Refer to price book for the Stock code. For non-stock items refer to the table below to order heater parts separately.

Order A'la Carte **To build your own "Complete" with designer grill options (not noted above) select HRC model of proper voltage and PXG grill model of proper color.

STEP 1: Order Heatbox Interior and Recessed Wall Can

MODEL	UPC	DESCRIPTION	SHIP WEIGHT lbs
PX1215-HRC	32688	PX 120V, 1500W, Heatbox Interior & Recessed Wall Can	10.4
PX2017-HRC	32689	PX 208V, 1750W, Heatbox Interior & Recessed Wall Can	10.4
PX2417-HRC	32690	PX 240V, 1750W, Heatbox Interior & Recessed Wall Can	10.4

STEP 2: Order Grill

MODEL	UPC	DESCRIPTION	SHIP WEIGHT lbs
PXG-WD	17246	PX Grill, White Dove Color	2.1
PXG-AD	17247	PX Grill, Almondine Color	2.1
PXG-SN	17245	PX Grill, Satin Nickel Color	2.1
PXG-OB	17244	PX Grill, Oiled Bronze Color	2.1

NOTE: This is the quickest option when the factory installed heaters options are not in stock.

Accessories

MODEL	UPC	DESCRIPTION	SHIP WEIGHT lbs
PXSMF-WD	32695	PX Surface Mount Frame, White Dove Color (H 8-3/4 x W 16-15/16 x D 4-1/4)	2.4
PXSMF-AD	32696	PX Surface Mount Frame, Almondine Dove Color (H 8-3/4 x W 16-15/16 x D 4-1/4)	2.4
PXSMF-SN	32697	PX, Surface Mount Frame, Satin Nickel Color	2.4
PXSMF-OB	32698	PX, Surface Mount Frame, Oiled Bronze Color	2.4
PX-RP	32699	PX, Rough-In Plate for New Construction, (10 sets per Box).	6.0
PXIC	32704	PX Wall Can	3.0
TKIT-1BW	20654	Wall Heater Accessory SP Thermostat Kit Bright White	0.5
TKIT-2BW	20655	Wall Heater Accessory DP Thermostat Kit Bright White	0.5
TKIT-1A	20613	Wall Heater Accessory SP Thermostat Kit Almond	0.5
TKIT-2A	20614	Wall Heater Accessory DP Thermostat Kit Almond	0.5
TKIT-1B	17346	Wall Heater Accessory SP Thermostat Kit Black	0.5
TKIT-2B	17347	Wall Heater Accessory DP Thermostat Kit Black	0.5
TKIT-1-TP	11056	Built-in Tamper Proof Single Pole Single Throw Thermostat Kit	0.4
TKIT-2-TP	11057	Built-in Tamper Proof Double Pole Single Throw Thermostat Kit	0.4
DS15	13824	Disconnect Switch, Field Installed Kit (10A/ 240V / 15A/120V)	0.5

-All A'la Carte orders come in Kraft box packaging

Engineering Specifications

Contractor shall supply and install PX ComfortCraft Series in-wall forced-air electric heaters manufactured by King Electrical Mfg. Company, of the wattage and voltage as indicated on the plans.

Ratings: Heaters shall be available in wattages of 250 to 1,750 at 120 or 250-1750 at 208, or 240 Volts.

Blower and Motor: A whisper quiet tangential blower, delivering 75 CFM, shall be driven by a shaded pole, permanently lubricated, C-frame type motor with impedance protection and sealed bearings. Motors shall be the same voltage as the heater.

Elements: Element assemblies shall consist of three steel sheathed heating tubes in a furnace-brazed, plate-finned, block design. Each sheathed tube shall contain coiled Ni-Chrome wire embedded in an insulator of Magnesium Oxide. The element assembly shall provide up to seven (7) possible wattage configurations available for selection during field installation. The use of external resistors, diodes, or other weak links to obtain multiple wattages will not be acceptable.

Thermal Overload: Heaters shall be equipped with King's patented

thermal overload Smart Limit Protection®, which disconnects elements and motor in the event normal operating temperatures are exceeded. If thermal overload trips due to abnormal operating temperatures, thermal overload shall remain open until manually reset by turning the heater off for 15 minutes. Automatic reset of thermal overloads, which allow the element to continue to cycle under abnormal conditions, will not be accepted.

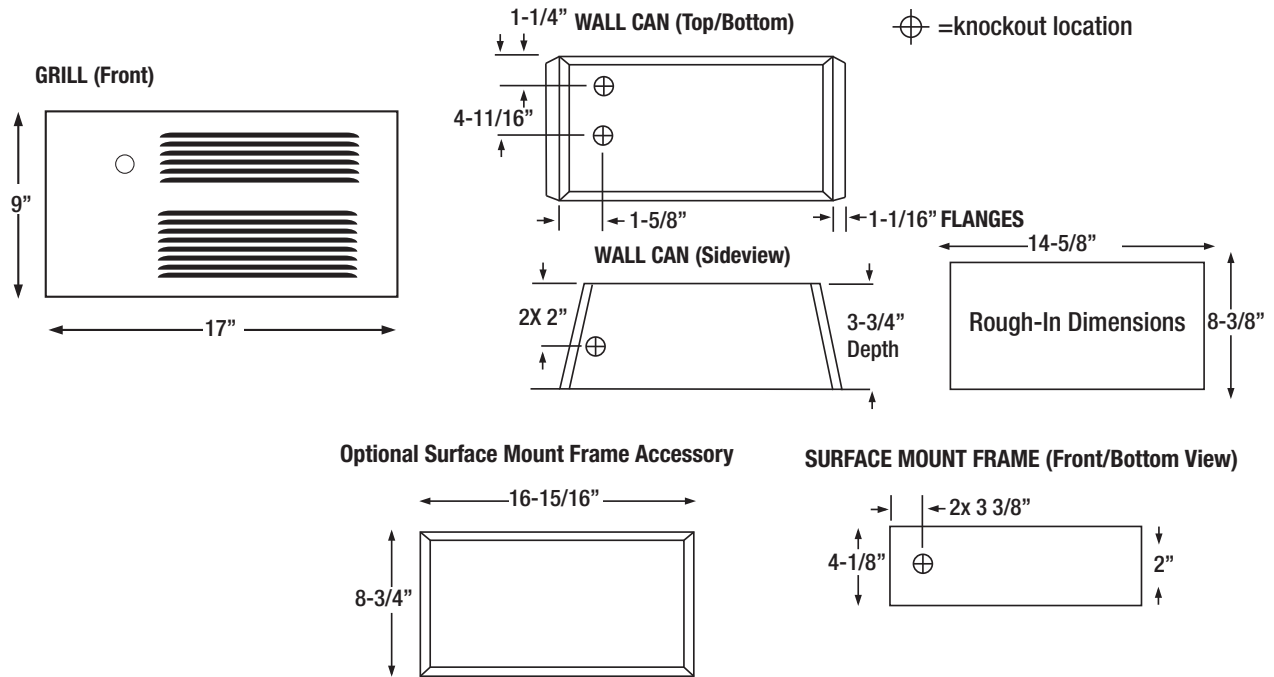
Wall Cans: The wall can shall be 20 gauge electro-galvanized steel and shall contain a minimum of three (3) knockouts. The wall can shall have a factory installed, insulated and stranded copper ground-wire. Minimum 4" clearance to floors and 6" sidewalls. Zero clearance to combustibles.

Grill: The grill shall be a louvered, one-piece curved front design with rounded edges on all four sides, with duct flange on outlet to achieve maximum heat transfer. The grill shall be epoxy powder-coated in white dove, almondine, oiled bronze or satin nickel.

Approvals: cULus (E41422)

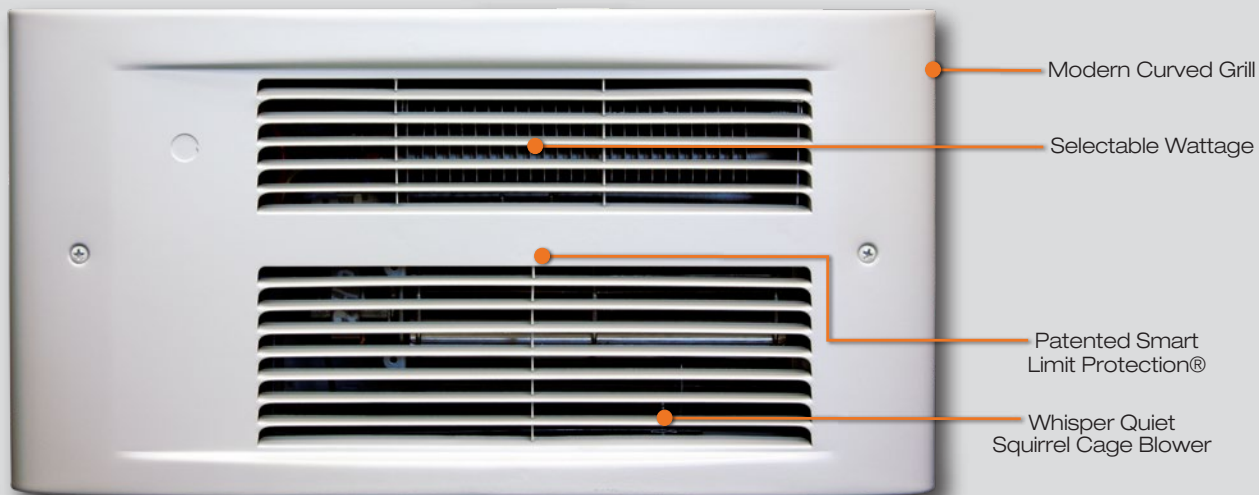
Wall Heater PX ComfortCraft Series

Dimensional Data



ComfortCraft

DESIGNER COLORS AVAILABLE



(Shown in White Dove)