

Architectural Draft Barrier KDIA Series



Model Code:

KDIA	24	250
A	B	C

A: Series
 B: 12=120V 20=208V
 24=240/208V 27=277V
 C: Watts (50=500 - 250=2500)



- Steel tubular heating elements with aluminum fins
- Front fresh air inlet or bottom (-BAI); top warm air outlet
- Standard watt density of 275W/ft. (900W/m)
- Low watt density of 200W/ft. (650W/m)
- Linear high-limit temperature control with automatic reset
- Standard color: bright white epoxy/polyester powder paint
- 18 gauge steel cabinet
- Available in 120, 208, 240, 277, 347 or 600 volts, 1 phase
- 1-year warranty against defects

The KDIA Series Slope-Top Architectural Draft Barrier

The KDIA Series is an economical sloped top draft barrier. The KDIA draft barrier is specifically designed with a sloped top to eliminate use of the unit as a shelf or seat. Made from steel, the KDIA is an economical alternative to the aluminum sloped top model, yet offering comparable performance. This sloped top draft barrier takes up less space and is well suited for areas where space is limited.

Ordering Information - Standard Models (275W/FT)

WATTS	240V/208V	120V	UPC	208V	UPC	240V/208V	UPC	277V	UPC	LENGTH	WT. (lbs.)
500	500/375	KDIA12050	31682	KDIA20050	31692	KDIA24050	31710	KDIA27050	31728	28 13/16	11.6
750	750/563	KDIA12075	31684	KDIA20075	31694	KDIA24075	31712	KDIA27075	31730	38 13/16	15.1
1000	1000/750	KDIA12100	31686	KDIA20100	31696	KDIA24100	31714	KDIA27100	31732	49 1/16	18.7
1250	1250/938	KDIA12125	31688	KDIA20125	31698	KDIA24125	31716	KDIA27125	31734	58 9/16	22
1500	1500/1125	KDIA12150	31690	KDIA20150	31700	KDIA24150	31718	KDIA27150	31736	67 1/4	25
1750	1750/1313			KDIA20175	31702	KDIA24175	31720	KDIA27175	31738	76 9/16	28.3
2000	2000/1500			KDIA20200	31704	KDIA24200	31722	KDIA27200	31740	85 3/8	31.3
2250	2250/1688			KDIA20225	31706	KDIA24225	31724	KDIA27225	31742	94 3/16	34.4
2500	2500/1875			KDIA20250	31708	KDIA24250	31726	KDIA27250	31744	103 3/8	37.6

Ordering Information - Low Density (200W/FT)

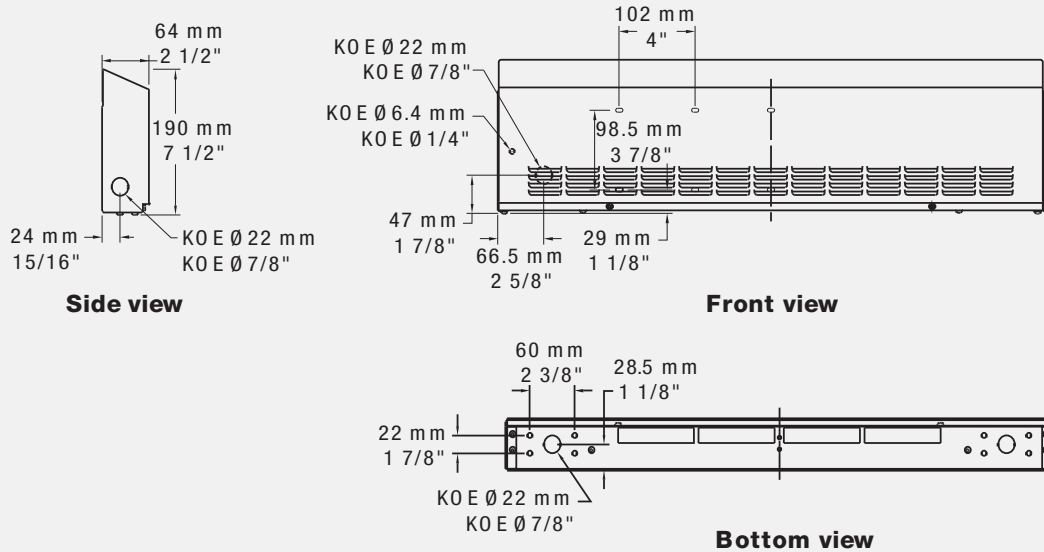
WATTS	240V/208V	120V	UPC	208V	UPC	240V/208V	UPC	277V	UPC	LENGTH	WT. (lbs.)
400	400/225	KDIA12040-733	31746	KDIA20040-733	31758	KDIA24040-733	31776	KDIA27040-733	31794	28 7/8	11.6
600	600/375	KDIA12060-987	31748	KDIA20060-987	31760	KDIA24060-987	31778	KDIA27060-987	31796	38 7/8	15.1
800	800/563	KDIA12080-1248	31750	KDIA20080-1248	31762	KDIA24080-1248	31780	KDIA27080-1248	31798	49 1/8	18.7
1000	1000/750	KDIA12100-1489	31752	KDIA20100-1489	31764	KDIA24100-1489	31782	KDIA27100-1489	31800	58 5/8	22
1200	1200/938	KDIA12120-1710	31754	KDIA20120-1710	31766	KDIA24120-1710	31784	KDIA27120-1710	31802	67 5/16	25
1600	1600/1125	KDIA12160-2170	31756	KDIA20160-2170	31768	KDIA24160-2170	31786	KDIA27160-2170	31804	85 7/16	28.3
1800	1800/1313			KDIA20180-2395	31770	KDIA24180-2395	31788	KDIA27180-2395	31806	94 5/16	31.3
2000	2000/1500			KDIA20200-2627	31772	KDIA24200-2627	31790	KDIA27200-2627	31808	103 7/16	34.4
2250	2250/1688			KDIA20225-2627	31774	KDIA24225-2627	31792	KDIA27225-2627	31810	103 7/16	37.6

Options

ADD SUFFIX	DESCRIPTION
-BW	Bright White
-A	Almond Color
-AE	Metallic Silver
-BZ	Bronze
-CM	Metallic Charcoal
-AL	Aluminum
-NL	Semi-Gloss Black
-HA	High altitude version linear high-limit temperature control with automatic reset
-BAI	Bottom fresh air inlet

Architectural Draft Barrier KDIA Series

Dimensional Data



Control Options

MODEL	DESCRIPTION
KDIA-T-AV (1-3)	Single-pole tamperproof thermostat adjustable with a screwdriver 120V, 208V, 240V/25A, 277V/10A
KDIA-T2-AV (1-2)	Double-pole tamperproof thermostat adjustable with a screwdriver 120V, 208V, 240V/25A, 277V/10A
KDIA-T (1-3)	Single-pole thermostat with control knob 120V, 208V, 240V/25A, 277V/10A
KDIA-T2 (1-2)	Double-pole thermostat with control knob 120V, 208V, 240V/25A, 277V/10A
KDIA-RT-120	24V relay with transformer - 120V/22A
KDIA-RT-208	24V relay with transformer - 208V/22A
KDIA-RT-240	24V relay with transformer - 240V/22A
KDIA-RT-277	24V relay with transformer - 277V/19A
KDIA-R	24V relay without transformer 120V, 208V, 240V/22A, 277V/19A
Product no-TRIAC-347	Factory installed 24V electronic relay 15A, 347V and less
Product no-TRIAC-347T	Factory installed 24V electronic relay with transformer - 15A, 208V to 347V max.
Product no-PM	Factory installed pneumatic relay - 20A, 480V max.
Product no-DIS	Factory installed disconnect switch 20A, 277V max.

Accessories

MODEL	DESCRIPTION	DIMENSIONS (in)
KDIA-CI	Inside corner	4
KDIA-CE	Outside corner	4
KDIA-PE	Round pedestal kit (2)	3
KDIA-PEC	Square-shaped pedestal kit (2)	2
KDIA-JT	Splice plate	2
KDIA-JT-PE	Contour splice plate for BD option and/or heater with pedestals	2
Product no-HA	Factory installed linear high-limit temperature control for high altitude (6000 ft. to 8200 ft.)	
Product no-BD	Factory installed clean back	
KDIA-SV-XX	Empty cabinet with length XX mm	
Product no-BAL	Factory installed bottom fresh air inlet with smooth front panel	