

Architectural Draft Barrier KDBA Series



Model Code:

| | | | |
|------|----|-----|------|
| KDBA | 12 | 040 | -731 |
| A | B | C | D |

- A: Series
- B: Volts (12=120, 24=240, 27=270)
- C: Watts (040=400)
- D: Length in mm (-731=731mm)

- Steel tubular heating elements with aluminum fins
- Front fresh air inlet or bottom (-BAI); top warm air outlet
- Standard watt density of 275W/ft. (900W/m)
- Low watt density of 200W/ft. (650W/m)
- Linear high-limit temperature control with automatic reset
- Standard color: bright white epoxy/polyester powder paint
- 18 gauge steel cabinet
- Available in 120, 208, 240, 277, 1 phase
- 1-year warranty against defects



The KDBA Series Draft Barrier

A compact, economical draft barrier. Made from steel the KDBA draft barrier is an economical alternative to the aluminum model, yet offering comparable performance. With its rectangular shape, the KDBA is perfect for wall-to-wall installations.

Ordering Information Standard models (275W/ft)

| WATTS | 240V/208V | 120V | UPC | 208V | UPC | 240V/208V | UPC | 277V | UPC | LENGTH | WT. (lbs.) |
|-------|-----------|-----------|-------|-----------|-------|-----------|-------|-----------|-------|----------|------------|
| 500 | 500/375 | KDBA12050 | 31552 | KDBA20050 | 31562 | KDBA24050 | 31580 | KDBA27050 | 31598 | 28 13/16 | 10.5 |
| 750 | 750/563 | KDBA12075 | 31554 | KDBA20075 | 31564 | KDBA24075 | 31582 | KDBA27075 | 31600 | 38 13/16 | 12.7 |
| 1000 | 1000/750 | KDBA12100 | 31556 | KDBA20100 | 31566 | KDBA24100 | 31584 | KDBA27100 | 31602 | 49 1/16 | 14.9 |
| 1250 | 1250/938 | KDBA12125 | 31558 | KDBA20125 | 31568 | KDBA24125 | 31586 | KDBA27125 | 31604 | 58 9/16 | 17 |
| 1500 | 1500/1125 | KDBA12150 | 31560 | KDBA20150 | 31570 | KDBA24150 | 31588 | KDBA27150 | 31606 | 67 1/4 | 18.8 |
| 1750 | 1750/1313 | | | KDBA20175 | 31572 | KDBA24175 | 31590 | KDBA27175 | 31608 | 76 9/16 | 20.8 |
| 2000 | 2000/1500 | | | KDBA20200 | 31574 | KDBA24200 | 31592 | KDBA27200 | 31610 | 85 3/8 | 22.7 |
| 2250 | 2250/1688 | | | KDBA20225 | 31576 | KDBA24225 | 31594 | KDBA27225 | 31612 | 94 3/16 | 24.6 |
| 2500 | 2500/1875 | | | KDBA20250 | 31578 | KDBA24250 | 31596 | KDBA27250 | 31314 | 103 3/8 | 26.6 |

Ordering Information Low density models (200W/ft)

| WATTS | 240V/208V | 120V | UPC | 208V | UPC | 240V/208V | UPC | 277V | UPC | LENGTH | WT. (lbs.) |
|-------|-----------|----------------|-------|----------------|-------|----------------|-------|----------------|-------|----------|------------|
| 400 | 400/225 | KDBA12040-731 | 31616 | KDBA20040-731 | 31628 | KDBA24040-731 | 31646 | KDBA27040-731 | 31664 | 28 13/16 | 10.5 |
| 600 | 600/375 | KDBA12060-985 | 31618 | KDBA20060-985 | 31630 | KDBA24060-985 | 31648 | KDBA27060-985 | 31666 | 38 13/16 | 12.7 |
| 800 | 800/563 | KDBA12080-1246 | 31620 | KDBA20080-1246 | 31632 | KDBA24080-1246 | 31650 | KDBA27080-1246 | 31668 | 49 1/16 | 14.9 |
| 1000 | 1000/750 | KDBA12100-1487 | 31622 | KDBA20100-1487 | 31634 | KDBA24100-1487 | 31652 | KDBA27100-1487 | 31670 | 58 9/16 | 17 |
| 1200 | 1200/938 | KDBA12120-1708 | 31624 | KDBA20120-1708 | 31636 | KDBA24120-1708 | 31654 | KDBA27120-1708 | 31672 | 67 1/4 | 18.8 |
| 1600 | 1600/1125 | KDBA12160-2168 | 31626 | KDBA20160-2168 | 31638 | KDBA24160-2168 | 31656 | KDBA27160-2168 | 31674 | 85 3/8 | 22.7 |
| 1800 | 1800/1313 | | | KDBA20180-2393 | 31640 | KDBA24180-2393 | 31658 | KDBA27180-2393 | 31676 | 94 3/16 | 24.6 |
| 2000 | 2000/1500 | | | KDBA20200-2625 | 31642 | KDBA24200-2625 | 31660 | KDBA27200-2625 | 31678 | 103 3/8 | 26.6 |
| 2250 | 2250/1688 | | | KDBA20225-2625 | 31644 | KDBA24225-2625 | 31662 | KDBA27225-2625 | 31680 | 103 3/8 | 26.6 |

Specifications

Contractor shall supply and install KDBA Series electric heaters of the wattage and voltage as indicated on the plans.

Color: Standard: white, almond. Optional: metallic silver, bronze, metallic charcoal, aluminum, semi-gloss black. Custom colors available.

Finish: Standard: epoxy/polyester powder paint. Optional: steel plated.

Voltage: 120V, 208V, 240V/208V, 277V, 50/60 Hz, 1-phase.

Construction: 16-gauge steel front cover. 18-gauge satin coat steel cabinet.

Screw assembly for added strength. Full length built-in wireway. Front fresh air inlet or bottom (-BAI); top warm air outlet. Clean back available (-BD). Linear high-limit temperature control with automatic reset. High altitude version available (-HA). End caps included.

Heating Element: Stainless steel tubular heating element with aluminum fins.

Floating heating element on high-temperature nylon bushings eliminating expansion noises.

Watt Density: Standard watt density. Low watt density.

Control: Built-in thermostat available with a control knob or tamperproof. Mechanical, electronic or pneumatic relays available (installed on the right end only). King highly recommends the use of an electronic wall thermostat for greater comfort.

Installation: Heater must be installed at least 2 in. from finished floor (for -BAI option). Mounting holes spaced on 4 in. intervals for ease of installation. Wall or floor mounted installation. Variety of accessories available for wall-to-wall installation. Pedestal kit available.

Warranty: 1-year warranty against defects.

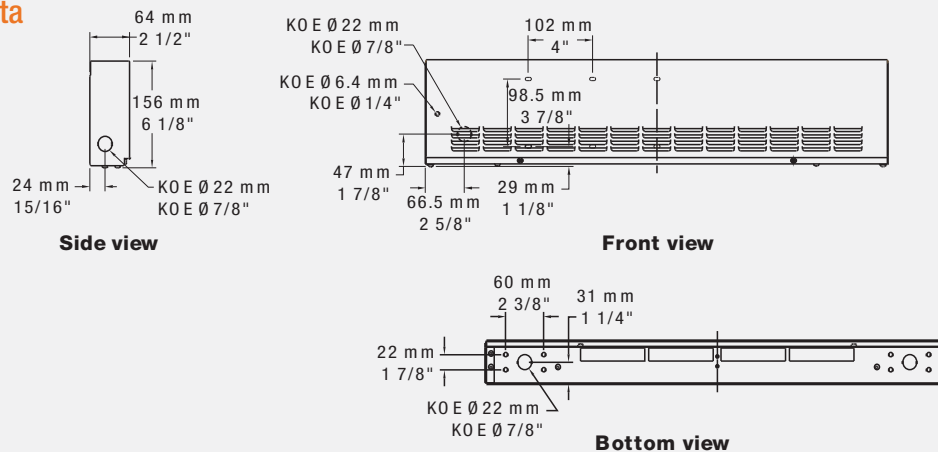
Application: Commercial building, office building, hospital, daycare center, private residence.

Architectural Draft Barrier KDBA Series

Options

| ADD SUFFIX | DESCRIPTION |
|------------|--|
| -BW | Bright White |
| -A | Almond Color |
| -AE | Metallic Silver |
| -BZ | Bronze |
| -CM | Metallic Charcoal |
| -AL | Aluminum |
| -NL | Semi-Gloss Black |
| -HA | High altitude version linear high-limit temperature control with automatic reset |
| -BAI | Bottom fresh air inlet |

Dimensional Data



Control Options

| MODEL | DESCRIPTION |
|-------------------|--|
| KDBA-T-AV (1-3) | Single-pole tamperproof thermostat adjustable with a screwdriver |
| | 120V, 208V, 240V/25A, 277V/10A |
| KDBA-T2-AV (1-2) | Double-pole tamperproof thermostat adjustable with a screwdriver |
| | 120V, 208V, 240V/25A, 277V/10A |
| KDBA-T (1-3) | Single-pole thermostat with control knob |
| | 120V, 208V, 240V/25A, 277V/10A |
| KDBA-T2 (1-2) | Double-pole thermostat with control knob |
| | 120V, 208V, 240V/25A, 277V/10A |
| KDBA-RT-120 | 24V relay with transformer - 120V/22A |
| KDBA-RT-208 | 24V relay with transformer - 208V/22A |
| KDBA-RT-240 | 24V relay with transformer - 240V/22A |
| KDBA-RT-277 | 24V relay with transformer - 277V/19A |
| KDBA-R | 24V relay without transformer |
| | 120V, 208V, 240V/22A, 277V/19A |
| Product no-TRIAC | Factory installed 24V electronic relay 15A, 347V and less |
| Product no-TRIACT | Factory installed 24V electronic relay with transformer - 15A, 208V to 347V max. |
| Product no-PM | Factory installed pneumatic relay - 20A, 480V max. |
| Product no-DIS | Factory installed disconnect switch 20A, 277V max. |

- 1) Setting range: 40°F to 100°F (5°C to 37°C)
- 2) "Off" position
- 3) Thermostat connect will remain open down to -31°F (-35°C) when set at its minimum

Accessories

| MODEL | DESCRIPTION | DIMENSIONS (in) |
|----------------|--|-----------------|
| KDBA-CI | Inside corner | 4 |
| KDBA-CE | Outside corner | 4 |
| KDBA-PE | Round pedestal kit (2) | 3 |
| KDBA-PEC | Square-shaped pedestal kit (2) | 2 |
| KDBA-JT | Splice plate | 2 |
| KDBA-JT-PE | Contour splice plate for BD option and/or heater with pedestals | 2 |
| Product no-HA | Factory installed linear high-limit temperature control for high altitude (6000 ft. to 8200 ft.) | |
| Product no-BD | Factory installed clean back | |
| KDBA-SV-XX | Empty cabinet with length XX mm | |
| Product no-BAI | Factory installed bottom fresh air inlet with smooth front panel | |