



KING ELECTRICAL MFG. CO.
9131 10th Avenue South, Seattle, WA 98108
Phone: 206-762-0400 - Fax: 206-763-7738
www.king-electric.com

INSTRUCTIONS "KAWH" Series



WARNING

When using electrical appliances, basic precautions should always be taken to reduce the risk of fire, electrical shock and injury, including the following.

Read carefully these instructions before installation, operation of the heater. Failure to adhere to the instructions could result in fire, electric shock, serious personal injury, and death or property damage. Review frequently for continuing safe operation and instruction of future users, if necessary.

IMPORTANT INSTRUCTIONS

- 1- Read all instructions before installing or using this heater.
- 2- This heater is hot when in use. To avoid burns, do not let bare skin touch hot surfaces. Keep combustible materials, like furniture, pillows, bedding, papers, clothes, and curtains at least 36 in. (915 mm) from the front of the heater.
- 3- Extreme caution is necessary when any heater is used by or near children or invalids and whenever the heater is left operating and unattended.
- 4- Do not operate any heater after it malfunctions. Disconnect power at service panel and have heater inspected by a reputable electrician before reusing.
- 5- Do not use outdoors.
- 6- Do not insert or allow foreign objects to enter any ventilation or exhaust opening as this may cause an electric shock or fire, or damage the heater.
- 7- Do not block air intakes or exhaust in any way whatsoever.
- 8- This heater has hot and arcing or sparking parts inside. Do not use it in areas where gasoline, paint, or flammable liquids are used or stored.
- 9- Use this heater only as described in this manual. Any other use not recommended by the manufacturer may cause fire, electric shock, or injury.
- 10- **Models up to 6000W maximum and 240V maximum:** These heaters include a visual alarm to warn that parts of the heater are getting excessively hot. If the light turns on, immediately turn the heater off and inspect for any objects on or adjacent to the heater that may have blocked the airflow or otherwise caused high temperatures to have occurred. If no obstruction is visible, the heater must be checked by a qualified person. **DO NOT OPERATE THE HEATER WHEN THE ALARM LIGHT IS ON.**
- 11- The thermostat should not be considered an infallible device in case where maintaining a temperature is considered critical. Examples: Hazardous material storage, computer server room, etc. In these particular cases, it is imperative to add a monitoring system to avoid the consequences of a thermostat failure.

SAVE THESE INSTRUCTIONS

OPERATING INSTRUCTIONS

- 1- The heater must be properly installed before it is used.
- 2- Turn the power on at the circuit breaker panel.
- 3- Electronic thermostat: be sure to set it on the fan mode.
- 4- Built-in tamperproof thermostat: to set thermostat at the desired temperature, follow these steps:
 - The setting can be done through the hole in the front cover with a small slotted screwdriver.
 - Set thermostat at maximum temperature (turn clockwise).
 - When the desired temperature is reached, turn the thermostat counter-clockwise slowly until you hear a click.
 - The thermostat will keep this room temperature.
- 5- **Models up to 6000W maximum and 240V maximum:** These heaters include a visual alarm to warn that parts of the heater are getting excessively hot. If the light turns on, immediately turn the heater off and inspect for any objects on or adjacent to the heater that may have blocked the airflow or otherwise caused high temperatures to have occurred. **DO NOT OPERATE THE HEATER WHEN THE ALARM LIGHT IS ON.**

OPTION:

Fan switch:

This option allows the use of the fan in continuous or automatic mode.

The switch can be switched through the upper grille with a screwdriver.

Position ON: The fan runs continuously, with or without heating demand.

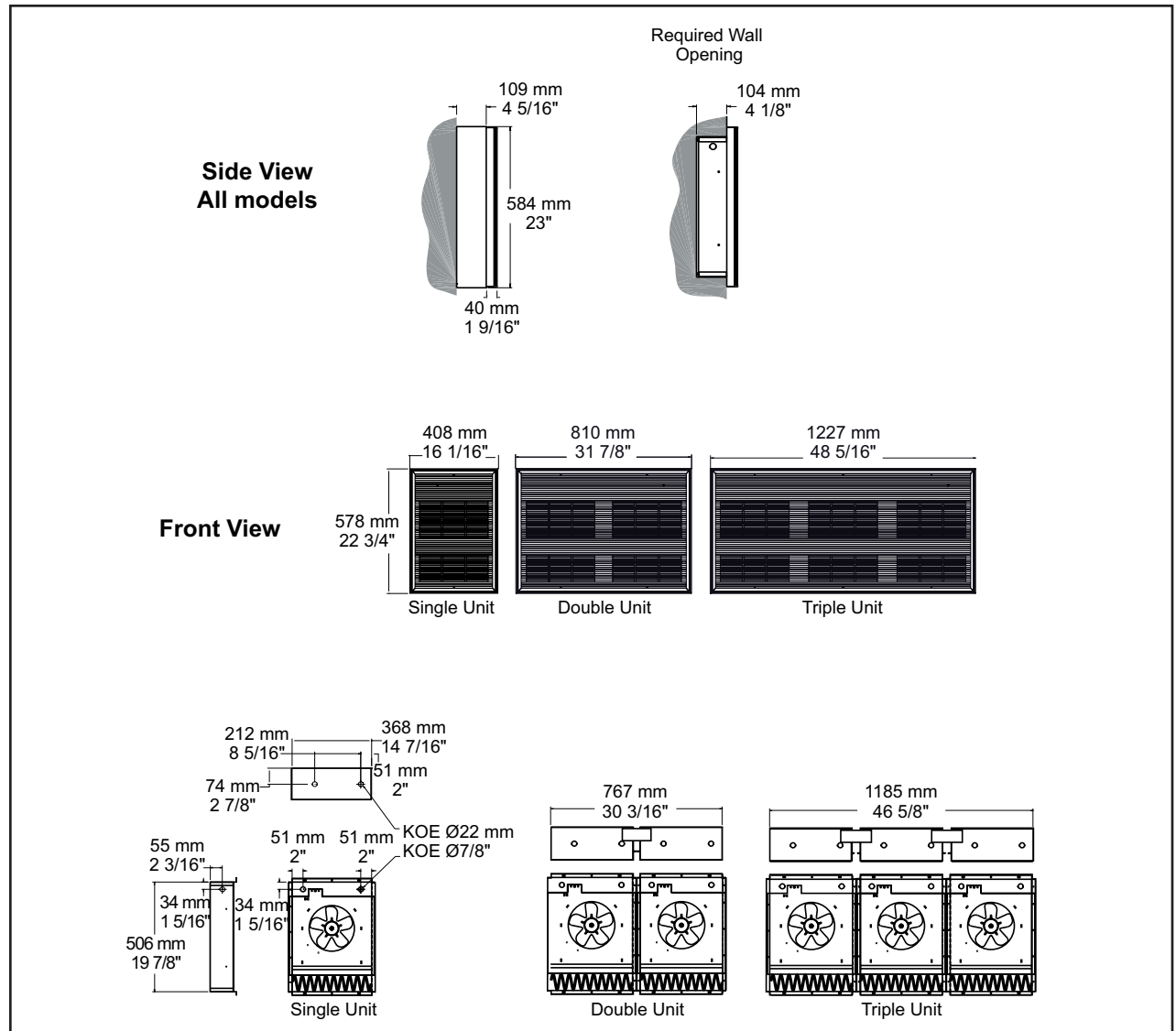
Position AUTO: The fan operates in automatic mode, only during a heating demand.

MAINTENANCE INSTRUCTIONS

- 1- Once a year, remove the front panel and use a vacuum cleaner to remove the dust accumulation inside the heater and through openings of the front panel.
- 2- Cleaning should be done while the heater is disconnected from the main service panel. Wait until the housing and heating element cool before performing maintenance.
- 3- Replace the front panel before energizing.
- 4- Any other servicing should be performed by a qualified technician.

WARRANTY

KING ELECTRICAL MFG. CO. warrants the component parts of its products against defects in material and workmanship for a three (3) year period following the date of purchase, under normal use and service, when proof of purchase of such is provided to the manufacturer. The obligation of KING ELECTRICAL MFG. CO., under the terms of this warranty, will be to supply a new unit and this releases the manufacturer from paying the installation costs or other secondary charges linked to replacing the unit or the component part(s).



INSTALLATION INSTRUCTIONS

RECESS MOUNTING:

- 1- Heater must be used with recess box.
- 2- Never install warm air outlet of heater less than 10 in. (250 mm) from floor or adjacent wall.
- 3- Provide a wall opening as:
Depth : 4 5/16 in. (109 mm)
Height : 19 7/8 in. (506 mm)
Length : - Single unit : 14 7/16 in. (368 mm)
 - Double unit : 30 3/16 in. (767 mm)
 - Triple unit : 46 5/8 in. (1185 mm)
- 4- Remove the appropriate knock-out from the recess box for the electrical supply.
- 5- Attach firmly the recess box using provided screws. Make sure that the edge on each side of the recess box lean on the gypsum panel and not on the structural parts of the wall. See marking on the sides of the recess box.
- 6- Install the heater to the recess box and be sure that the heater is attach firmly with four (4) provided screws.
- 7- Connect the heater leads to the supply leads according to national and local codes. See wiring diagram in the heater.
- 8- Make sure the fan rotates freely and that there is no foreign object in the heater.
- 9- Install the front cover using the provided screws.
IMPORTANT: Make sure that the part of the front cover without louver is at the top to insure proper air flow.
- 10- To test the heater temporarily, set thermostat at maximum temperature.

SURFACE MOUNTING:

Model 4 in. (102 mm)

- 1- The surface box must be used with recess box.
- 2- Never install warm air outlet of heater less than 10 in. (250 mm) from floor or adjacent wall.
- 3- Locate the power supply leads behind the planned location of the heater (surface box).
- 4- Mount the surface box securely to the wall with provided screws. See illustration to install properly.
- 5- Follow instructions 4 to 10 as above for recess mounting.

SEMI-RECESSED MOUNTING:

Model 1 in. (25 mm) and Model 2 in. (51 mm)

- 1- The surface box must be used with recess box.
- 2- Never install warm air outlet of heater less than 10 in. (250 mm) from floor or adjacent wall.
- 3- Provide a wall opening as:
Depth for 1 in. model : 3 5/16 in. (84 mm)
Depth for 2 in. model : 2 5/16 in. (59 mm)
Height : 19 7/8 in. (506 mm)
Length : - Single unit : 14 7/16 in. (368 mm)
 - Double unit : 30 3/16 in. (767 mm)
 - Triple unit : 46 5/8 in. (1185 mm)
- 4- Mount the surface box securely to the wall with provided screws. See illustration to install properly.
- 5- Follow instructions 4 to 10 as above for recess mounting.

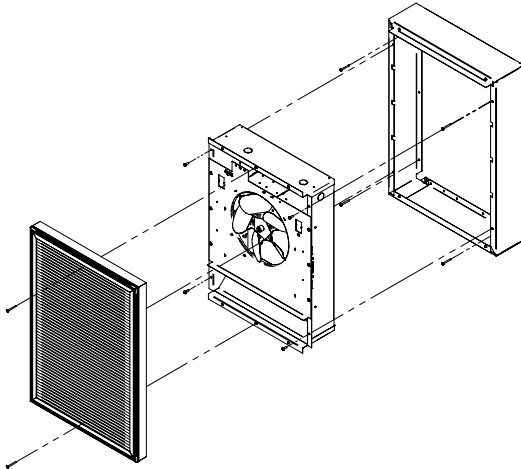
CAUTION:

High temperature, risk of fire, keep electrical cords, drapery, furnishings, and other combustibles at least 36 in. (915 mm) from the front of the heater. To reduce the risk of fire, do not store or use gasoline or other flammable vapors and liquids in the vicinity of the heater.

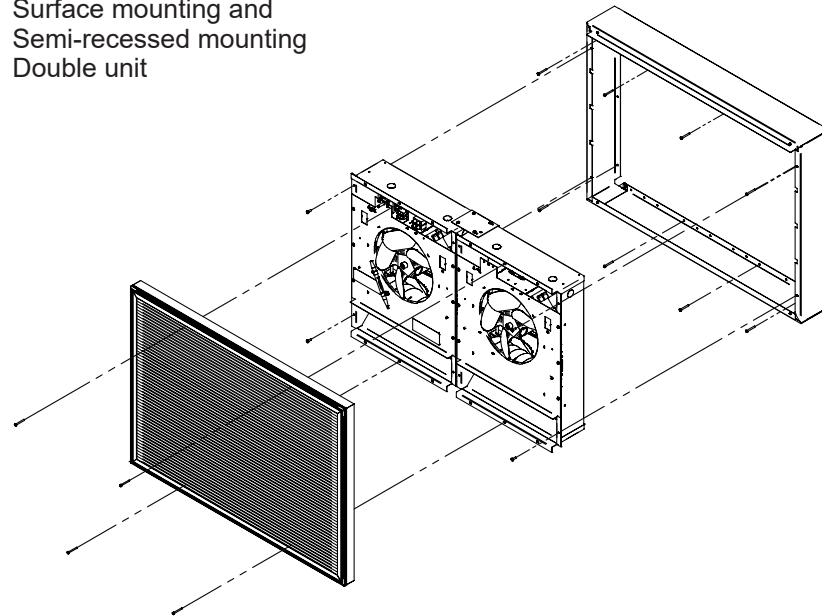
IMPORTANT

- 1- Do not obstruct front of heater for at least 48 in. (1220 mm).
- 2- Any remote thermostat or relay must be connected to the heater control terminal block.
- 3- Do not interrupt power supply to control this heater.

Surface mounting and
Semi-recessed mounting
Single unit



Surface mounting and
Semi-recessed mounting
Double unit



Surface mounting and
Semi-recessed mounting
Triple unit

