

Project Name:	Part Number:	Type:
---------------	--------------	-------

# FULL CUTOFF WALL PACK

## OUTDOOR WALL MOUNT



### FEATURES

- Architectural die-cast aluminum housing
- Factory Select Finishes: Bronze (BRZ), Black (BLK), Silver (SLV) & White (WHT)
- Custom colors finishes available
- Hinged full cutoff front frame
- ½" Coin plugs with o-rings for conduit or optional photocell
- Multiple optical distributions available: Type II, III, & IV
- Cast-in template for mounting directly over a 4" recessed outlet box
- 3000K, 4000K and 5000K CCT
- Motion & bi-level dim control options available
- 0-10V Dimmable Driver
- Dark Sky Compliant, 3000K is IDA Listed
- 120-277V Universal Voltage or 347-480V High Voltage
- Calculated L70>100,000 hrs @ 25°C per TM-21-11
- 5 Year Warranty (std); 10 Year Warranty Optional
- ETL Listed for Wet Location



### SUITABLE APPLICATIONS

- Parking Lots
- Loading Dock Areas
- Exterior Wall Lighting
- Building Entrance Ways

### ORDERING GUIDE:

SERIES	WATTS	DRIVER	CCT	OPTIC	FINISH <sup>6</sup>	WARRANTY
WPCS Full Cutoff Wall Pack	28W	UNIV 120-277V	50	T2	BLANK Bronze	BLANK 5 Year
	44W	HV 347-480V <sup>5,10</sup>	40	T3	BLK Black	10YR <sup>11,12</sup> 10 Year
		DD Dual Driver <sup>4</sup>	30	T4	SLV Silver	
WPCM Full Cutoff Wall Pack	28W				WHT White	
	44W				CC Custom Color	
	75W					
	105W					

OPTIONS		CONTROLS	
Factory Installed		BASIC - Factory Installed	
SP1 <sup>3,6</sup>	10KA Max Univolt Surge Protector	USBD <sup>3,4,8</sup>	User Select Bi-Level Dim Occ. Sensor
SP2 <sup>3,6</sup>	22KA Max Univolt Surge Protector	BDXX <sup>3,4</sup>	Preset Bi-Level Dim Sensor (xx=% ex: 20,30)
SP480V2	20kA Max 347-480V Surge Protector	BDXXPC <sup>3,4</sup>	Preset Bi-Level Dim Sensor w/ photocell (xx=% ex: 20,30)
FUSE/SXXX	Single-line Voltage Fuse (120, 277 or 347V)	WLOS <sup>3,4</sup>	PIR Occupancy Sensor
FUSE/DXXX	Dual-line Voltage Fuse (208, 240 or 480V)		
SMLxxxx	Specified Lumen Output (xxxx = lumen output)		
SD347 <sup>3</sup>	347V Step Down Transformer		
SD480 <sup>3</sup>	480V Step Down Transformer		
EM5 <sup>2,3</sup>	5W LED Factory Installed Battery Backup (32°F-104°F)	LPL/INT <sup>2,3,4</sup>	Limelight by Lutron Wireless Control System w/ Sensor (8-15ft)
EM5/HE <sup>2,3,4</sup>	5W 120-277V LED High Efficacy CEC Title 20 Battery Backup (32°F-104°F)	LPM/INT <sup>2,3,4</sup>	Limelight by Lutron Wireless Control System w/ Sensor (15-30ft)
EM7 <sup>2,3,4</sup>	7W LED Factory Installed Battery Backup (32°F-104°F)	LPH/INT <sup>2,3,4</sup>	Limelight by Lutron Wireless Control System w/ Sensor (30-40ft)
EM7/HE <sup>2,3,4</sup>	7W 120-277V LED High Efficacy CEC Title 20 Battery Backup (32°F-104°F)		
EM10 <sup>2,3,4</sup>	10W LED Factory Installed Battery Backup (32°F-104°F)		
EM10/HE <sup>2,3,4</sup>	10W 120-277V LED High Efficacy CEC Title 20 Battery Backup (32°F-104°F)		
EM12 <sup>2,3,4</sup>	12W LED Factory Installed Battery Backup (32°F-104°F)		
LEDBBCT7 <sup>2,3,4</sup>	7W LED Factory Installed Battery Backup (-4°F-104°F)		
LEDBBCT <sup>2,3,4</sup>	14W LED Factory Installed Battery Backup (-4°F-104°F)		
Ship with Accessories		Ship with Accessories	
WPC15WG <sup>13</sup>	Wire Guard (WPCS) Not available with Glare Shield	PCU <sup>3</sup>	Electronic UNIV Photocell (120-277V)
WPC25WG <sup>4</sup>	Wire Guard (Not available with Glare Shield)		
GSWPCS <sup>13</sup>	3-Sided Glare Shield (WPCS)		
GSWPCM <sup>4</sup>	3-Sided Glare Shield		

<sup>1</sup> Does not qualify for DLC  
<sup>2</sup> Not available with SD347/SD480 options  
<sup>3</sup> Not available with HV option  
<sup>4</sup> WPCM Only  
<sup>5</sup> WPCM 44W, 75W, & 105W Only  
<sup>6</sup> SP1/SP2 specified in combination w/ battery backups, separate surge protectors are required per electrical line  
<sup>8</sup> Requires bluetooth enabled device for programming (provided by others)  
<sup>10</sup> Not available with USBD, BDxx, BDxxPC and WLOS options  
<sup>11</sup> Contact Factory for more details  
<sup>12</sup> Requires additional surge protection (SP1, SP2, SP480V2); For additional details see general terms and conditions  
<sup>13</sup> WPCS Only

# FULL CUTOFF WALL PACK

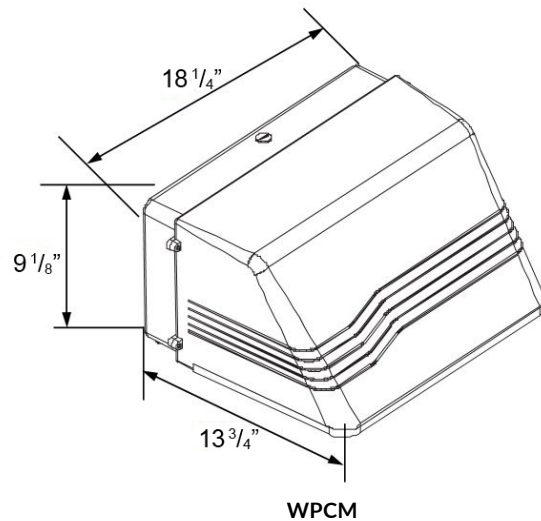
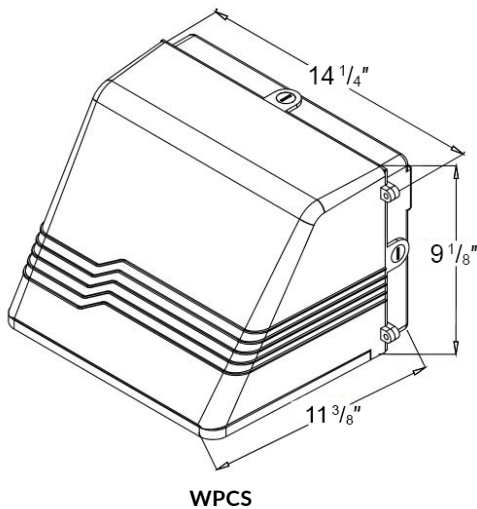
## OUTDOOR WALL MOUNT

LED SYSTEMS INFO <sup>1</sup>		3000K		4000K		5000K			
Part Numbers	Optic	Lumens	Efficacy	Lumens	Efficacy	Lumens	Efficacy	Watts <sup>2</sup>	Ambient Temperature
WPCS-28WLED-UNIV	T2	3,212 lm	113 lm/W	3,439 lm	121 lm/W	3,666 lm	129 lm/W	29W	131°F (55°C)
WPCS-28WLED-UNIV	T3	3,132 lm	110 lm/W	3,354 lm	118 lm/W	3,575 lm	125 lm/W	29 W	
WPCS-28WLED-UNIV	T4	3,110 lm	107 lm/W	3,277 lm	115 lm/W	3,444 lm	129 lm/W	29W	
WPCS-44WLED-UNIV	T2	4,941 lm	117 lm/W	4,849 lm	115 lm/W	4,757 lm	112 lm/W	42 W	122°F (50°C)
WPCS-44WLED-UNIV	T3	4,877 lm	115 lm/W	4,786 lm	113 lm/W	4,694 lm	111 lm/W	42 W	
WPCS-44WLED-UNIV	T4	4,706 lm	111 lm/W	4,618 lm	109 lm/W	4,530 lm	107 lm/W	42 W	
WPCM-28WLED-UNIV	T2	3,427 lm	129 lm/W	3,655 lm	138 lm/W	3,882 lm	146 lm/W	27 W	131°F (55°C)
WPCM-28WLED-UNIV	T3	3,351 lm	126 lm/W	3,574 lm	135 lm/W	3,796 lm	143 lm/W	27 W	
WPCM-28WLED-UNIV	T4	3,321 lm	123 lm/W	3,513 lm	131 lm/W	3,701 lm	139 lm/W	27 W	
WPCM-44WLED-UNIV	T2	4,777 lm	122 lm/W	5,082 lm	129 lm/W	5,386 lm	137 lm/W	39 W	113°F (45°C)
WPCM-44WLED-UNIV	T3	4,652 lm	118 lm/W	4,949 lm	126 lm/W	5,245 lm	134 lm/W	39 W	
WPCM-44WLED-UNIV	T4	4,688 lm	117 lm/W	4,930 lm	124 lm/W	5,166 lm	132 lm/W	40 W	
WPCM-75WLED-UNIV	T2	8,222 lm	111 lm/W	8,767 lm	119 lm/W	9,313 lm	126 lm/W	74 W	113°F (45°C)
WPCM-75WLED-UNIV	T3	8,070 lm	109 lm/W	8,606 lm	116 lm/W	9,141 lm	124 lm/W	74 W	
WPCM-75WLED-UNIV	T4	7,399 lm	103 lm/W	8,344 lm	113 lm/W	8,863 lm	120 lm/W	74 W	
WPCM-105WLED-UNIV	T2	12,724 lm	121 lm/W	12,246 lm	116 lm/W	11,767 lm	112 lm/W	105 W	113°F (45°C)
WPCM-105WLED-UNIV	T3	12,179 lm	116 lm/W	11,721 lm	111 lm/W	11,263 lm	107 lm/W	105 W	
WPCM-105WLED-UNIV	T4	11,850 lm	112 lm/W	11,404 lm	108 lm/W	10,990 lm	104 lm/W	105 W	

<sup>1</sup>Values are nominal, see IES file for more detail

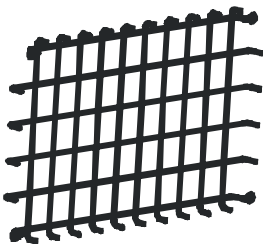
<sup>2</sup>Electrical data at 25C (77F). Actual wattage may differ by +/-10%.

### LINE DRAWING



### SECURITY OPTIONS

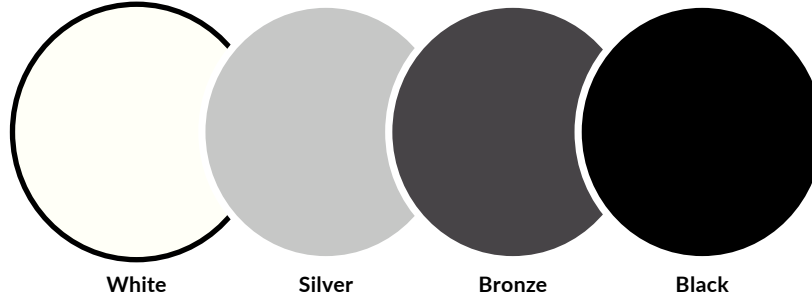
WPCxxWG - Wire Guard,SS Construction



# FULL CUTOFF WALL PACK

## OUTDOOR WALL MOUNT

### FACTORY SELECT FINISH GUIDE



COLOR NAME AND DESCRIPTION		SHEEN	PRICING
WHT	- ILP White	SEMI GLOSS	Standard
SLV	- ILP Silver - Ultrasonic Chrome	GLOSS	Standard
BRZ	- ILP Bronze	SEMI GLOSS	Standard
BLK	- ILP Black	SEMI GLOSS	Standard

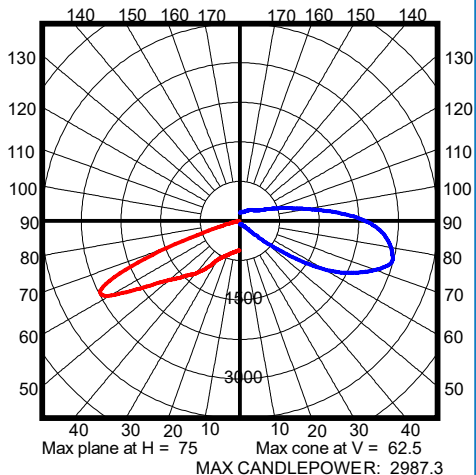
COLORS SHOWN ABOVE ARE TO BE USED AS REFERENCE, NOT EXACT MATCH. PLEASE REQUEST PAINT CHIPS FOR EXACT MATCH.

### PHOTOMETRIC REPORTS

#### WPCM-28WLED-UNIV-40-T2

##### SUMMARY DATA

HEMISPHERES TESTED: BOTH  
 EFFICIENCY (Downlight / Uplight): 100.0 % / 0.0 %  
 EFFICIENCY (Street / House): 62.7 % / 37.3 %  
 ROADWAY CLASSIFICATION: TYPE II, SHORT  
 CUTOFF CLASSIFICATION: NONCUTOFF  
 LUMENS: 3,384.48  
 INPUT WATTS: 26.62

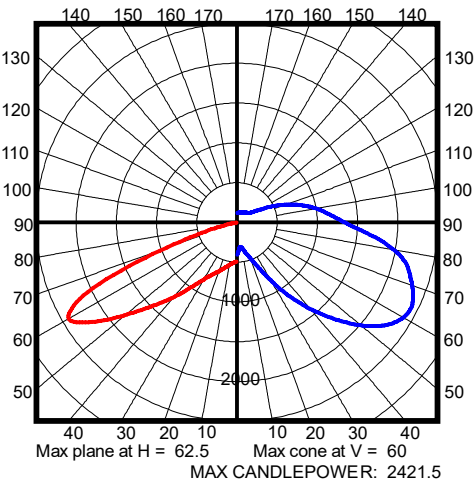


Photometric values based upon tests performed in compliance w/ LM-79.

#### WPCM-28WLED-UNIV-40-T3

##### SUMMARY DATA

HEMISPHERES TESTED: BOTH  
 EFFICIENCY (Downlight / Uplight): 100.0 % / 0.0 %  
 EFFICIENCY (Street / House): 71.9 % / 28.1 %  
 ROADWAY CLASSIFICATION: TYPE III, SHORT  
 CUTOFF CLASSIFICATION: CUTOFF  
 LUMENS: 3,314.18  
 INPUT WATTS: 26.59

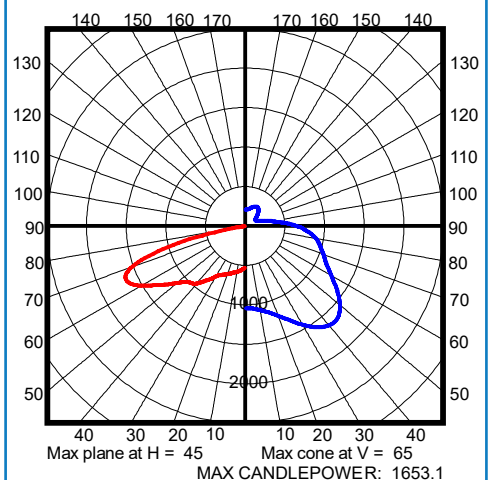


Photometric values based upon tests performed in compliance w/ LM-79.

#### WPCM-28WLED-UNIV-40-T4

##### SUMMARY DATA

HEMISPHERES TESTED: BOTH  
 EFFICIENCY (Downlight / Uplight): 100.0 % / 0.0 %  
 EFFICIENCY (Street / House): 76.1 % / 23.9 %  
 ROADWAY CLASSIFICATION: TYPE IV, SHORT  
 CUTOFF CLASSIFICATION: SEMICUTOFF  
 LUMENS: 3,238.04  
 INPUT WATTS: 26.60



Photometric values based upon tests performed in compliance w/ LM-79.