

Project Name:

Part Number:

Type:



VALUE LANCE

TROFFER RETROFIT KIT

407-478-3759
www.ilp-inc.com

FEATURES

- LED Retrofit Kit for recessed lighting applications
- One-piece unit with two universal mounting brackets
- Universal brackets allow for installation in grid or hard lid ceilings
- Average install time less than 3 minutes
- Frosted acrylic lens
- Advanced Control Option
- 3500K & 4000K CCT
- >80 Color Rendering Index (CRI)
- Calculated L70>100,000 hours
- 0-10V Dimmable Driver (100% - 10%)
- 120-277V Universal Driver
- 5 Year Warranty
- UL Classified for Damp Locations
- DesignLights Consortium® Premium Qualified Luminaire



2'x2'

2'x4'



SUITABLE APPLICATIONS

- Education
- Healthcare
- Offices
- Hallways
- Multipurpose Rooms
- Conference Rooms

ORDERING GUIDE:

SERIES	LUMENS	DRIVER	COLOR
VLN22 Value LANCE Troffer Kit 2' x 2'	3L	U 120-277V	40
	4L		35
VLN24 Value LANCE Troffer Kit 2' x 4'	3L		
	4L		
	7L		

OPTIONS

Factory Installed

SR	Sensor Ready Driver
DR	Dali Ready Driver
BLD ¹	Bi-level Dimming Driver with 2 Hot Leads
FI/ILBCP05	5W LED Factory Installed Battery Backup
FI/ILBCP07	7W LED Factory Installed Battery Backup
FI/ILBCP10	10W LED Factory Installed Battery Backup
FI/ILBCP12	12W LED Factory Installed Battery Backup

SHIP WITH ACCESSORIES

Advanced

ES	EasySense Sensor
----	------------------

Ship With Accessories

ES/PCD ²	EasySense Pre-programmed Control Device
ES/WWS/DR	EasySense Dual Rocker Wireless Wall Switch

¹ Does not qualify for DLC
² One needed per project



QUICK SHIP ITEMS:

SERIES	LUMENS	DRIVER	COLOR
VLN22 Value LANCE Troffer Kit 2' x 2'	3L	U 120-277V	40
	4L		35
VLN24 Value LANCE Troffer Kit 2' x 4'	3L		
	4L		
	7L		



VALUE LANCE

TROFFER RETROFIT KIT

LED SYSTEMS INFO

PART NUMBER	LUMENS	WATTS	EFFICACY	REPLACES
VLN22-3L-U-40	3,295 lm	25 W	134 lm/W	2T8
VLN22-4L-U-40	4,511 lm	35 W	129 lm/W	3T8
VLN24-3L-U-40	3,375 lm	25 W	137 lm/W	2T8
VLN24-4L-U-40	4,590 lm	35 W	132 lm/W	3T8
VLN24-7L-U-40	6,782 lm	53 W	129 lm/W	4T8

LED System data above was tested at 120V on VLN22-3L-U-40, VLN22-4L-U-40, VLN24-3L-U-40, VLN24-4L-U-40 & VLN22-7L-U-40.

PART NUMBER	LUMENS	WATTS	EFFICACY	REPLACES
VLN22-3L-U-35	3,240 lm	25 W	132 lm/W	2T8
VLN22-4L-U-35	4,440 lm	35 W	128 lm/W	3T8
VLN24-3L-U-35	3,322 lm	24 W	136 lm/W	2T8
VLN24-4L-U-35	4,525 lm	35 W	131 lm/W	3T8
VLN24-7L-U-35	6,705 lm	52 W	128 lm/W	4T8

LED System data above was tested at 120V on VLN22-3L-U-35, VLN22-4L-U-35, VLN24-3L-U-35, VLN24-4L-U-35 & VLN22-7L-U-35.

SPECIFICATIONS

CONSTRUCTION

Post painted white steel body for maximum rigidity and durability. One-piece unit with two universal mounting brackets for quick and easy installation into grid and hard-lid ceilings.

ELECTRICAL

Class 2 LED light engine for high efficacy and long life. Calculated L70 > 100,000 hours. LED Lumen Maintenance Estimates based on TM-21 projections for the light source at 25°C ambient. Power Factor > 0.90. Standard 120-277 Vac 0-10V dimmable (10%-100%). Optional Sensor Ready and DALI ready drivers for pairing with controls and integrated controls networks.

MOUNTING

One-piece door frame light engine with two universal mounting brackets for easy installation. The one-piece door frame can be hinged to the universal mounting brackets for the completion of installation. See page 3 for step-by-step troffer kit installation instructions.

WARRANTY

5 Year Warranty (Terms and Conditions apply)

OPTICS

Standard PMMA frosted acrylic volumetric lens for durability and LED glare reduction. Removeable lens for easy access to LED boards and maintenance.

TROFFER COMPATIBILITY

VLN is designed to fit into most existing parabolic and lensed troffers with a housing depth of 3 1/8" or greater. ILP recommends a test installation prior to ordering project quantities. Contact factory for additional troffer compatibility confirmation. VLN maintains insulation contact (IC) rating of existing fixture.

CONTROLS

Factory installed Advanced integral EasySense option available. Sensor mounts within the body of the fixture.

CERTIFICATIONS

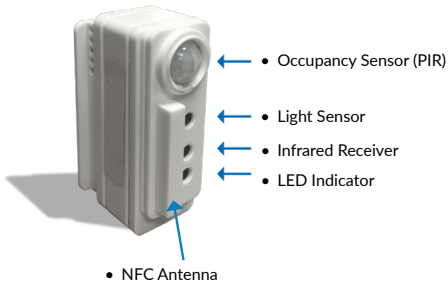
UL Classified to US and Canadian safety standards. Suitable for damp locations. DLC (DesignLights Consortium) Premium Qualified. Please refer to the DLC Qualified Products List at www.designlights.org/QPL to confirm specific product qualifications.



VALUE LANCE

TROFFER RETROFIT KIT

CONTROLS OPTIONS



ES

EasySense sensor combines occupancy sensing, daylight harvesting & institutional tuning in one compact solution. This is an ideal control for any commercial application. Each sensor allows you to turn on/off occupancy and/or daylight harvesting functions as well as set the full light output, background light level, occupancy prolong time, occupancy grace fading time and occupancy time out/hold time. Requires use of EasySense Pre-Programmed Control Device (ES/PCD), or approved phone from compatibility list; one needed per project.

Compatible Cell Phones:

- LG G3
- LG G Vista
- LG G4
- Samsung S5
- Samsung S5 WHT
- Samsung Note 4
- Samsung Note Edge
- Samsung Galaxy S7 Edge
- Samsung Galaxy J3
- Samsung Galaxy J7
- Samsung S8
- Samsung Galaxy S9
- Nexus 5X
- Nexus 6P

ES/PCD

Pre-Programmed EasySense Control Device. One needed per project. Sensor can also be programmed with the above approved compatible cell phone.



Specifications:

- Wireless
- Batteryless
- Dual Rocker
- ZigBee®
- 30 - 100ft Range

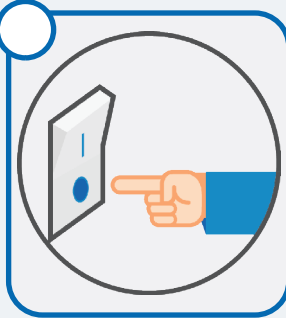
Functions:

1. On (Hold to brighten up)
2. Off (Hold to dim down)
3. Scene 1
4. Scene 2

ES/WWS/DR

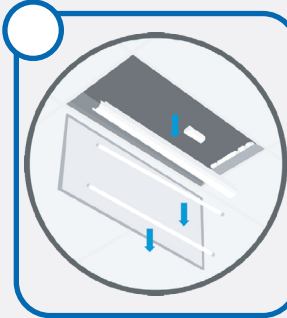
Optional Wireless / Batteryless Dual Rocker Wall Switch. Up to 100ft range. Functions include: On/Off, dimming and setting of (2) scences for full room control.

TROFFER KIT INSTALLATION INSTRUCTIONS



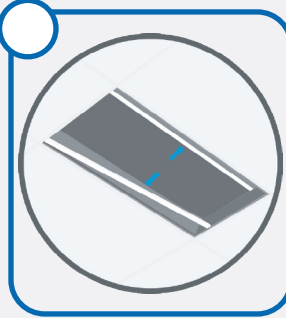
STEP 1

Shut off or disconnect power to the fixture.



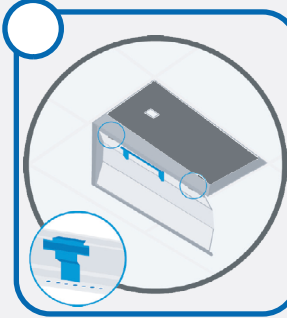
STEP 2

Remove existing fluorescent lamps and components, then disconnect existing connections to the fluorescent ballast.



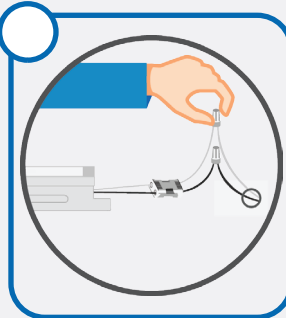
STEP 3

Gently lift the original housing and insert the brackets between the housing and the T-grid. Allow the housing to rest on the brackets, securing them in place. Optional tether included on the mounting brackets to secure the kit to the housing.



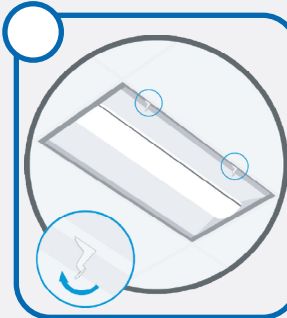
STEP 4

Hang the Value LANCE body by hooking the T-hinges into the respective slots in the bracket.



STEP 5

Connect the Value LANCE to AC power and ground.



STEP 6

Rotate the Value LANCE body up into the fixture and close the latches. Turn on or reconnect power to the fixture to complete the installation.

ILP recommends a test installation prior to ordering project quantities.

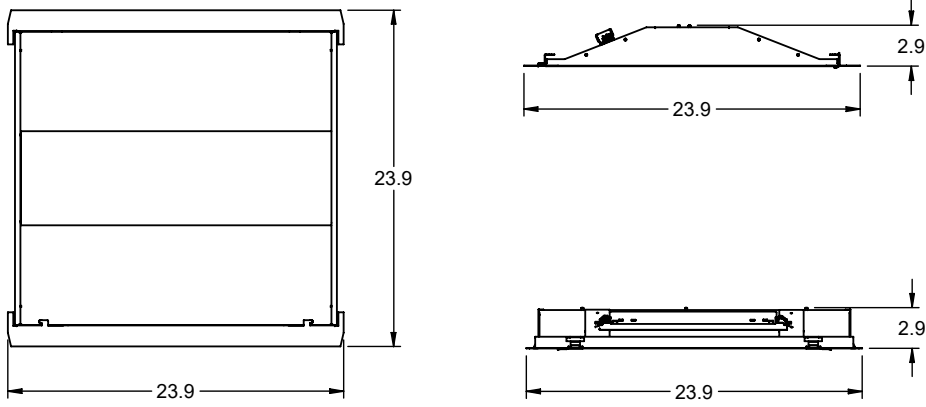


VALUE LANCE

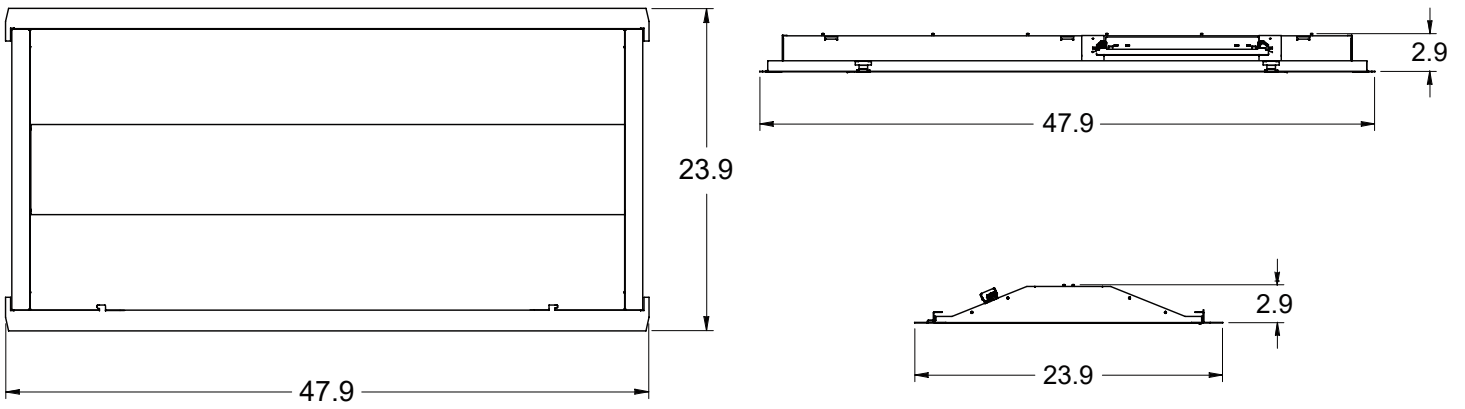
TROFFER RETROFIT KIT

LINE DRAWINGS

2 x 2 Dimensions



2 x 4 Dimensions





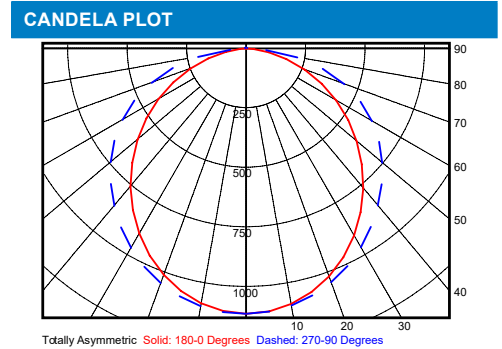
VALUE LANCE

TROFFER RETROFIT KIT

PHOTOMETRIC DATA

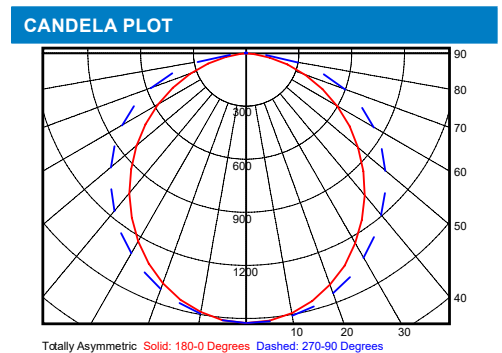
LUMINAIRE DATA	
Part Number	VLN22-3L-U-40
Description	Value LANCE Troffer Kit, 2'x2', 3000lm, 4000K
Fixture Lumens (lm)	3,295 lm
Wattage (W)	25 W
Efficacy (lm/W)	134 lm/W
Mounting	Recessed
Spacing Criteria	0° = 1.22, 90° = 1.30

ZONAL LUMEN SUMMARY		
Zone	Lumens (lm)	% Fixture
0° - 40°	1,410	43%
0° - 60°	2,516	76%
0° - 90°	3,288	100%
90° - 180°	4	0%
0° - 180°	3,292	100%



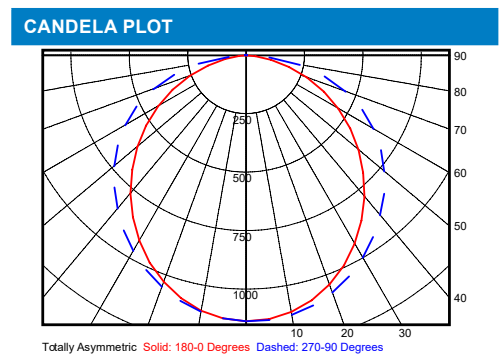
LUMINAIRE DATA	
Part Number	VLN22-4L-U-40
Description	Value LANCE Troffer Kit, 2'x2', 4000lm, 4000K
Fixture Lumens (lm)	4,511 lm
Wattage (W)	35 W
Efficacy (lm/W)	129 lm/W
Mounting	Recessed
Spacing Criteria	0° = 1.22, 90° = 1.32

ZONAL LUMEN SUMMARY		
Zone	Lumens (lm)	% Fixture
0° - 40°	1,929	43%
0° - 60°	3,441	76%
0° - 90°	4,500	100%
90° - 180°	8	0%
0° - 180°	4,507	100%



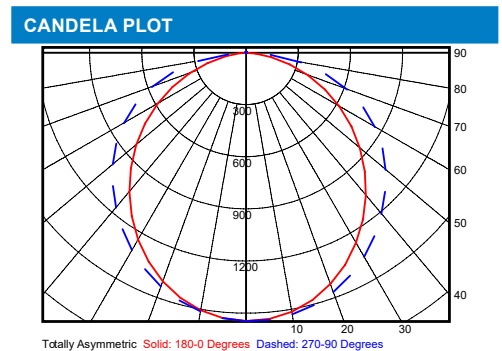
LUMINAIRE DATA	
Part Number	VLN24-3L-U-40
Description	Value LANCE Troffer Kit, 2'x4', 3000lm, 4000K
Fixture Lumens (lm)	3,375 lm
Wattage (W)	25 W
Efficacy (lm/W)	137 lm/W
Mounting	Recessed
Spacing Criteria	0° = 1.22, 90° = 1.32

ZONAL LUMEN SUMMARY		
Zone	Lumens (lm)	% Fixture
0° - 40°	1,437	43%
0° - 60°	2,564	76%
0° - 90°	3,368	100%
90° - 180°	5	0%
0° - 180°	3,373	100%



LUMINAIRE DATA	
Part Number	VLN24-4L-U-40
Description	Value LANCE Troffer Kit, 2'x4', 4000lm, 4000K
Fixture Lumens (lm)	4,590 lm
Wattage (W)	35 W
Efficacy (lm/W)	132 lm/W
Mounting	Recessed
Spacing Criteria	0° = 1.22, 90° = 1.32

ZONAL LUMEN SUMMARY		
Zone	Lumens (lm)	% Fixture
0° - 40°	1,952	43%
0° - 60°	3,482	76%
0° - 90°	4,578	100%
90° - 180°	9	0%
0° - 180°	4,586	100%



LUMINAIRE DATA	
Part Number	VLN24-7L-U-40
Description	Value LANCE Troffer Kit, 2'x4', 7000lm, 4000K
Fixture Lumens (lm)	6,782 lm
Wattage (W)	52 W
Efficacy (lm/W)	129 lm/W
Mounting	Recessed
Spacing Criteria	0° = 1.22, 90° = 1.30

ZONAL LUMEN SUMMARY		
Zone	Lumens (lm)	% Fixture
0° - 40°	2,879	43%
0° - 60°	5,144	76%
0° - 90°	6,763	100%
90° - 180°	14	0%
0° - 180°	6,777	100%

