

Project Name:

Part Number:

Type:



viewpoint FLOOD SERIES

LARGE, X-LARGE



407-478-3759
www.ilp-inc.com

FEATURES

- Low profile die-cast aluminum housings available in 5 sizes
- Bronze polyester powder coat finish (std.)
- Custom and factory select colors available¹
- Fully adjustable NEMA 7x6 distribution or Optional NEMA 5x5
- Adjustable Trunnion, Slip fitter, Pole mounting options
- 4000K & 5000K CCTs
- 4-Level Field Adjustable Output (FAO) allows individual luminaire lumen output control
- Embedded Electronic photocell with override switch (std.)
- 120-277V Universal Voltage or 347V-480V High Voltage
- 0-10V Dimmable Driver (std.)
- 6kV Surge protection (std.)
- 3' 600V power cord(s) provided standard with 5 conductors for 0-10V dimming (10-100%)
- Calculated L70 >100,000 hrs @ 25°C per TM-21-11
- IP66 Rated Luminaire
- 5 Year Warranty
- ETL Listed for Wet Locations, suitable for ground mounting
- DesignLights Consortium® Premium Qualified Luminaire

¹Contact factory for pricing and availability



SUITABLE APPLICATIONS

- Parking Lots
- General Area Lighting
- Buildings
- Loading Docks



ORDERING GUIDE

SERIES	LUMENS	VOLTAGE	CCT	DISTRIBUTION	MOUNTING	CONTROLS	FINISH ²
VFL Large	20L 20,000 lm	U 120-277v	40 4000K CCT	W 7x6 Wide	TRN Trunnion Mount (Std)	(Blank) None	BRZ
	30L 30,000 lm	HV 347-480v		M 5x5 Medium	SLPF 2-3/8" Adjustable Slip Fitter	CR3 3-Pin NEMA Receptacle	BLK
			50 5000K CCT		PMB Pole Mount Bracket Adjustable Wall Mount Bracket	CR7 7-Pin NEMA Receptacle	WHT SLV
VFX X-Large	40L 40,000 lm						

OPTIONS - FACTORY INSTALLED

CORD/6FT ³	6ft 5-Conductor cord without a plug (120V-277V)
CORD/10FT ³	10ft 5-Conductor cord without a plug (120V-277V)
SP1 ³	10KA 120-277V Univolt Surge Protector
SP2 ³	22KA 120-277V Univolt Surge Protector
SP480V2	20kA Max 480V Surge Protector
FUSE/SXXX	Fuse - Single-line Voltage (120, 277 or 347) - Contact Factory
FUSE/DXXX	Fuse - Dual-line Voltage (208V, 240V or 480V) - Contact Factory

ACCESSORIES

xxx/Visor ²	Reversible Visor/Glare Shield
JP275	Shorting Cap for CRx NEMA Receptacle
TLPC/UNV	Photocell for use w/ CRx option (120-277V)
TLPC/HV	Photocell for use w/ CRx option (347-480)

¹ Bronze finish standard, Consult factory for pricing & availability of other finishes; subject to longer lead-times

²xxx = Corresponding series VFL and VFX

³Not Available with HV Option



QUICK SHIP ORDERING:

SERIES	LUMENS	VOLTAGE	CCT	DISTRIBUTION	MOUNTING	FINISH
VFL Large	20L 20,000 lm	U 120-277v	40 4000K CCT	W 7x6 Wide	TRN Trunnion Mount (Std)	BRZ
	30L 30,000 lm		50 5000K CCT		SLPF 2-3/8" Adjustable Slip Fitter	
VFX X-Large	40L 40,000 lm				PMB Pole Mount Bracket	
					WMB Adjustable Wall Mount Bracket	



viewpoint FLOOD SERIES

LARGE, X-LARGE

LED SYSTEMS INFO ¹		4000K			5000K				DLC Listing	Replaces	
Part Numbers	Optic	Lumens	Efficacy	BUG Rating	Lumens	Efficacy	BUG Rating	Watts ²			
VFL-20L	Medium (5x5)	Full	19952	136.7	B5-U0-G1	20400	139.7	B5-U0-G1	146.1	PREMIUM	400W MH
		Set 1 (90%)	16959	141.7	B4-U0-G1	17340	144.8	B4-U0-G1	119.8		
		Set 2 (80%)	15563	146.1	B4-U0-G1	15912	149.2	B4-U0-G1	106.6		
		Set 3 (70%)	13966	149.5	B4-U0-G1	14280	152.8	B4-U0-G1	93.5		
	Wide (7x6)	Full	20525	140.2	B4-U0-G3	21065	143.2	B4-U0-G3	147.1		
		Set 1 (90%)	17446	145.3	B4-U0-G2	17905	148.4	B4-U0-G2	120.6		
		Set 2 (80%)	16010	149.8	B3-U0-G2	16431	153.0	B3-U0-G2	107.4		
		Set 3 (70%)	14367	153.3	B3-U0-G2	14745	156.6	B3-U0-G2	94.2		
VFL-30L	Medium (5x5)	Full	27118	138.2	B5-U0-G1	27733	141.2	B5-U0-G1	196.4		750W MH
		Set 1 (90%)	22779	143.3	B5-U0-G1	23296	146.4	B5-U0-G1	159.1		
		Set 2 (80%)	20881	147.8	B5-U0-G1	21354	151.0	B5-U0-G1	141.4		
		Set 3 (70%)	18440	149.2	B5-U0-G1	18858	152.4	B5-U0-G1	123.7		
	Wide (7x6)	Full	27666	140.9	B4-U0-G3	28303	144.3	B4-U0-G3	196.1		
		Set 1 (90%)	23239	146.2	B4-U0-G3	23775	149.7	B4-U0-G3	158.8		
		Set 2 (80%)	21303	150.7	B4-U0-G3	21793	154.4	B4-U0-G3	141.2		
		Set 3 (70%)	18813	152.1	B4-U0-G2	19246	155.8	B4-U0-G2	123.5		
VFX-40L	Medium (5x5)	Full	43168	153.0	B5-U0-G3	43946	152.3	B5-U0-G3	288.5	1000W MH	
		Set 1 (90%)	36693	156.7	B5-U0-G3	37354	156.0	B5-U0-G3	239.5		
		Set 2 (80%)	33239	157.1	B5-U0-G3	33838	156.4	B5-U0-G3	216.4		
		Set 3 (70%)	29786	160.0	B5-U0-G2	30323	159.3	B5-U0-G2	190.4		
	Wide (7x6)	Full	43981	151.7	B5-U0-G3	44261	152.4	B5-U0-G3	290.5		
		Set 1 (90%)	37384	155.3	B5-U0-G3	37622	156.0	B5-U0-G3	241.1		
		Set 2 (80%)	33865	155.7	B5-U0-G3	34081	156.4	B5-U0-G3	217.9		
		Set 3 (70%)	30347	158.6	B5-U0-G2	30540	159.3	B5-U0-G2	191.7		

¹Values are nominal, see IES file for more detail
²Electrical data at 25C (77F). Actual wattage may differ by +/-10%.

EPA RATINGS AND VIBRATION CHART

	LUMEN PACKAGE	TRN	PMB	SLPF	WMB	WEIGHT				
VFL	20L - 20,000 lm / 30L - 30,000 lm	1.26	3G	1.41	1.5G	1.43	1.5G	N/A	1.5G	13.7 lbs
VFX	40L - 40,000 lm	1.6	1.5G	1.75	1.5G	1.76	1.5G	N/A	1.5G	22.3 lbs

* EPA Ratings listed assume fixture is mounted horizontally. For adjustable mounting options, EPA will vary with selected angle.



viewpoint FLOOD SERIES

LARGE, X-LARGE

SPECIFICATIONS

CONSTRUCTION

The Value Flood Series features a slim profile die-cast aluminum housing available in 5 different sizes for a fully scalable solution. The low-profile die-cast aluminum housings are provided with a durable bronze polyester powder coat finish tailored to withstand extreme weather changes without cracking or peeling (Optional ILP White (WHT), Black (BLK), or Silver (SLV) wet paint finishes available; Consult factory for alternate finishes). The driver cover seals to the housing with a one-piece silicone gaskets creating an IP66 rating for maximum ingress protection. Salt Spray tested for 500 hrs.

OPTICS

The IP66 silicone gasket sealed optical chamber utilizes UV stabilized polycarbonate refractive optics to provide exceptional coverage in NEMA Types 7Hx6V (std.) or optional 5Hx5V. CCT selectable via an integral. Available in 5000K or 4000K color temperatures per ANSI C78.377. Consult factory for availability of alternate CCTs. Minimum CRI of 70. Optional visor accessory is available for additional cut-off.

ELECTRICAL

High-performance driver features over-voltage, under-voltage, short circuit and over temperature protection. 0-10V dimming 10% - 100% standard. Standard Universal Voltage (120-277 Vac) Input 50/60 Hz or optional High Voltage 347-480 Vac. L70 >100,000 hrs. in accordance of IESNA TM-21-11 Projected values at 25°C Ambient temperature. Total harmonic distortion: 0.90. Input power stays constant over life. Minimum 6kV surge rating VFC-2L 2.5kV meets a minimum Category C Low operation per ANSI/IEEE C62.41.2. Additional protection is available in 10kV and 20kV options. Integral Field Adjustable Output (FAO) device allows for easy tuning of luminaire light levels for individual site conditions 70%, 80%, 90%, 100%.

THERMAL

The Value Flood Series features an array of High-efficacy midpower LED's on a metal core board. The LED board is mounted directly to a cast aluminum housing with heat dissipating fins to provide excellent thermal performance extending the life of electronic components. Operating Ambient Temperature: -40°C to +50°C (-40°F to 122°F); 30L is rated to +45°C (113°F).

INSTALLATION

The versatile Value Flood Series comes with 4 optional housing dependent mounting methods. A fully adjustable Trunnion (TRN), Adjustable Slip fitter (SLPF) to mount to any vertical or horizontal tenon 2" pipe (2-3/8" OD), adjustable wall mount bracket (WMB), or adjustable pole mounting bracket (PMB), see table on page 2 for mounting compatibility and vibration ratings. 3' 600V power cord(s) provided standard with 5 conductors for 0-10V dimming (10-100%).

CONTROLS

Factory installed 3-Pin & 7-Pin ANSI C136.41 Control Receptacle Options available. Twist lock photocells sold separately (See accessories).

WARRANTY

5 Year Warranty (Terms and Conditions apply). See Website for more details. <https://www.ilp-inc.com/documents/>

CERTIFICATIONS

ETL Listed for wet locations, suitable for ground mounting. Tested in accordance with IESNA LM-79 and LM-80 standards. IP66 rated Luminaire per IEC 60598. DesignLights Consortium® (DLC) Premium qualified product. Not all versions of this product may be DLC Premium qualified. Please check the DLC Qualified Products List at www.designlights.org/QPL to confirm which versions are qualified.



viewpoint FLOOD SERIES

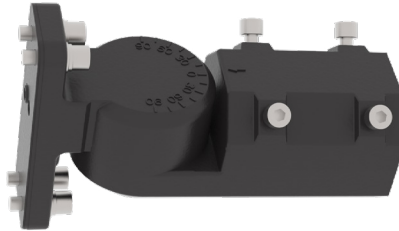
LARGE, X-LARGE

MOUNTING OPTIONS

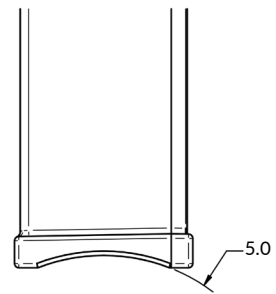
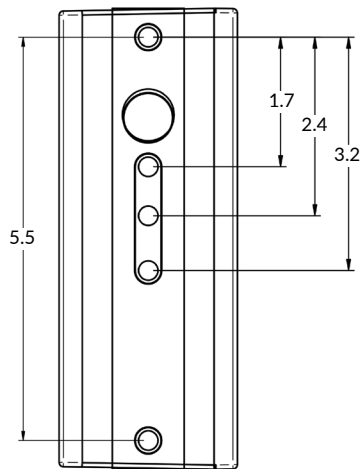
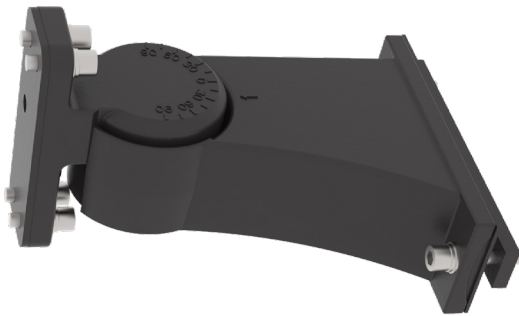
TRN - Trunnion/Yoke Mount



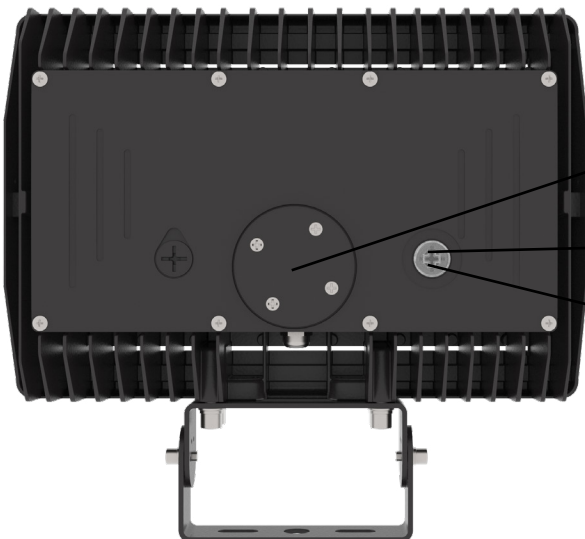
SLPF - 2-3/8" Slip Fitter



PMB - Pole Mount Bracket



ADDITIONAL FEATURES

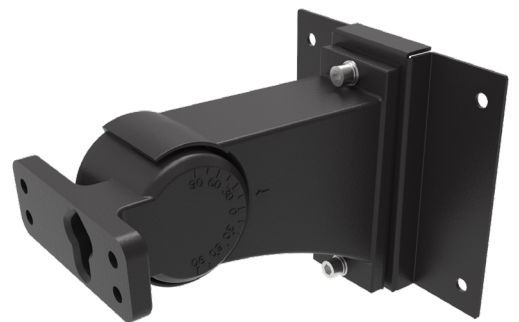


Optional Twist Lock NEMA 3-PIN Photocontrol Receptacle

Lumen, & Photocell Quick Access Switches

Integrated Photocell

WMB - Adjustable Wall Mount Bracket



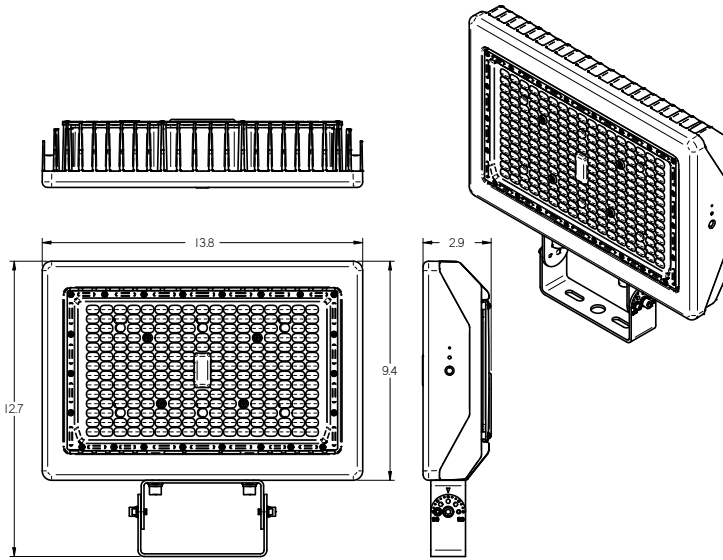


viewpoint FLOOD SERIES

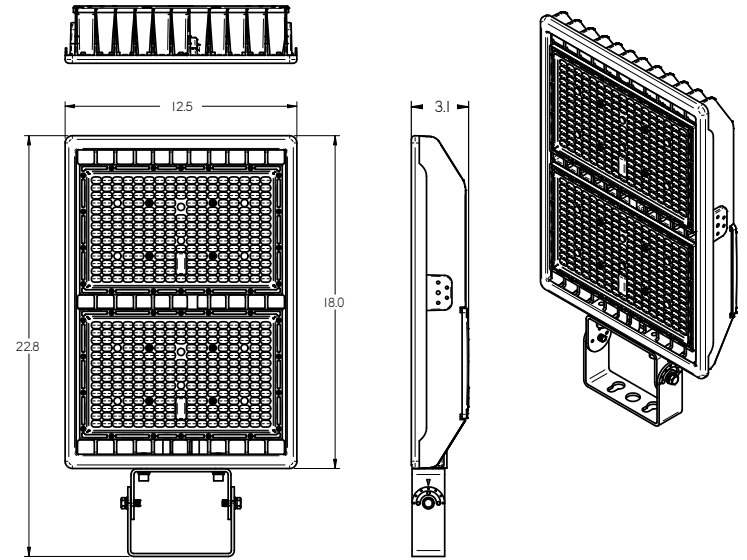
LARGE, X-LARGE

LINE DRAWINGS

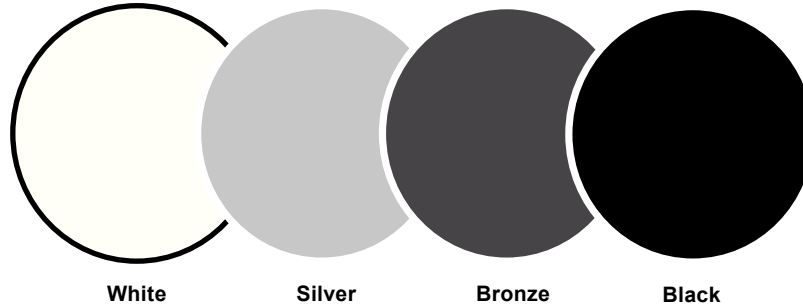
VFL Dimensions



VFX Dimensions



FACTORY SELECT FINISH GUIDE



COLOR NAME AND DESCRIPTION	SHEEN	PRICING
WHT - ILP White	SEMI GLOSS	Contact Factory for Pricing
SLV - ILP Silver - Ultrasonic Chrome	GLOSS	Contact Factory for Pricing
BRZ - ILP Bronze	SEMI GLOSS	Standard
BLK - ILP Black	SEMI GLOSS	Contact Factory for Pricing
COLORS SHOWN ABOVE ARE TO BE USED AS REFERENCE, NOT EXACT MATCH. PLEASE REQUEST PAINT CHIPS FOR EXACT MATCH.		