

Project Name:	Part Number:	Type:
---------------	--------------	-------

viewpoint

AREA LIGHT SERIES

FEATURES

- Low profile die-cast aluminum housings available in 2 sizes
- Bronze polyester powder coat finish
- Factory Rotable Type 3, 4, 5 optical distributions
- Factory select finishes and custom colors available ⁴
- Adjustable Slip Fitter, Wall or Pole Mounting for Square or Round 4"-5" Poles
- 4000K & 5000K CCTs
- Toolless hinged drop down driver access
- 120-277V Universal Voltage or 347V-480V High Voltage
- PIR Occupancy, Photocell, & Bi-Level Dimming Sensors Available
- Wireless control integrated luminaire via 7-Pin Receptacle
- 3-Pin & 7-Pin ANSI C136.41 Control Receptacle Options
- 6kV Surge protection (std.)
- 3' 600V power cord(s) provided standard with 0-10V dimming (10-100%)
- Calculated L80 >100,000 hrs @ 25°C per TM-21-11
- >70 Color Rendering Index (CRI)
- IP66 Rated Luminaire
- 5 Year Warranty
- ETL Listed for Wet Locations



407-478-3759
www.ilp-inc.com

Product Overview



SCAN ME



SUITABLE APPLICATIONS

- Parking Lots
- Parking Structure
- Parks
- Education
- Hospitals
- Car Dealerships
- Shopping Centers
- Roadways

ORDERING GUIDE

SERIES	LUMENS	VOLTAGE	CCT	DISTRIBUTION	ORIENTATION	MOUNTING	FINISH	WARRANTY
VAS	14L	14,000 lm	U 120-277v	40 4000K	T3 Type 3	(Blank) Standard	SLPF 2 3/8" Adjustable Slip Fitter	(Blank) Bronze (Blank) 5YR
	17L	17,000 lm	HV 347-480v	50 5000K	T4 Type 4	L ^a Optics Rotated Left	PMB Adjustable Pole Mount	BLK ^o Black 10 Year ¹ 10YR
	21L	21,000 lm			T5 Type 5	R ^a Optics Rotated Right	WMB Adjustable Wall Mount Bracket	WHT ^o White
	14L/17L/21L	14/17/21,000 lm selectable						SLV ^o Silver
VAM	21L	21,000 lm						
	24L	24,000 lm						
	28L	28,000 lm						
	21L/24L/28L	21/24/28,000 lm selectable						
	33L	33,000 lm						
	37L	37,000 lm						
	42L	42,000 lm						
33L/37L/42L	33/37/42,000 lm selectable							

OPTIONS - FACTORY INSTALLED

CR3P	3-Pin NEMA Control receptacle
CR7P ⁷	7-Pin NEMA Control receptacle
FSP-311/Lx ^{2,3}	Legrand FSP-311 120-277V Sensor for 40' Mounting Height (X = Mounting Height 3=10-20', 7=20-40')
FSP-321/Lx ³	Legrand FSP-321 347-480V Sensor for 40' Mounting Height (X = Mounting Height 3=10-20', 7=20-40')

ACCESSORIES

VAX/BIRD	Bird Spikes (x = Fixture size, S or M)	JP275 ^{2,5}	Shorting Cap
VAX/GS ⁸	Rotatable Glare Shield (x = Fixture size, S or M)	TLPC/HV ⁵	347-480V Twist Lock Photocell
TL7/B2 ^{2,6}	Synapse 7-Pin Mesh Network Option 120-277V	TLPC/UNV ^{2,5}	120-277V Twist Lock Photocell
TL7/HVG ⁶	Synapse 7-Pin Mesh Network Option 480V		
VT2-4-BRZ 2-3/8	Steel Wall Tenon Bracket for use with SLPF mounting		

¹ Requires additional surge protection (SP1, SP2, SP480V2); For additional details see general terms and conditions

² Not Available with HV Option

³ Requires Bluetooth enabled device provided by others

⁴ Contact factory for pricing and availability

⁵ Only Compatible with CR3 or CR7

⁶ CR7 Required, Consult Factory for Site Layout

⁷ Dimming leads will be wired to the receptacle unless otherwise specified

⁸ Not DLC Listed

⁹ Bronze Finish Standard, consult factory for pricing & availability of other finishes; subject to longer lead times



AREA LIGHT SERIES



QUICK SHIP ORDERING:

SERIES	LUMENS	VOLTAGE	CCT	DISTRIBUTION	MOUNTING	FINISH	WARRANTY
VAS	14L/17L/21L	U 120-277v	40 4000K	T3 Type 3 Medium	SLPF2 3/8" Adjustable Slip Fitter	(Blank) Bronze	(Blank) 5 YR
			50 5000K	T4 Type 4 Medium	PMB Pole Mount Bracket		10 Year ¹ 10 YR
VAM	21L/24L/28L 33L/37L/42L			T5 Type 5			

LED SYSTEMS INFO ¹	Distribution Type	4000K		BUG Rating	5000K		BUG Rating	Watts ²	Replaces
		Lumens	Efficacy		Lumens	Efficacy			
VAS-14L	T5	15100	143.4	B4-U0-G4	15699	148.8	B2-U0-G3	103.0	400W MH
	T3	16282	153.6	B2-U0-G3	16927	159.4	B3-U0-G3		
	T4	16254	153.6	B2-U0-G3	16897	159.4	B4-U0-G4		
VAS-17L	T5	16979	135.3	B4-U0-G4	17652	140.4	B3-U0-G3	127.1	400W MH
	T3	18308	144.9	B3-U0-G3	19033	150.3	B3-U0-G3		
	T4	18276	144.9	B3-U0-G3	19000	150.4	B4-U0-G4		
VAS-21L	T5	19856	135.1	B4-U0-G4	20643	140.2	B3-U0-G3	147.5	400W MH
	T3	21410	144.7	B3-U0-G3	22259	150.1	B3-U0-G3		
	T4	21373	144.7	B3-U0-G3	22220	150.2	B4-U0-G5		
VAM-21L	T5	21742	146.7	B4-U0-G5	22767	153.3	B3-U0-G3	150.2	400W MH
	T3	23063	151.2	B3-U0-G3	24149	158.1	B3-U0-G3		
	T4	22818	154.8	B3-U0-G3	23894	161.9	B4-U0-G5		
VAM-24L	T5	24043	140.3	B4-U0-G5	25176	146.7	B3-U0-G4	173.1	400W MH
	T3	25503	144.7	B3-U0-G4	26705	151.2	B3-U0-G4		
	T4	25233	148.1	B3-U0-G4	26423	154.8	B4-U0-G5		
VAM-28L	T5	27345	139.7	B4-U0-G5	28635	146.1	B3-U0-G4	197.1	750W MH
	T3	29006	144.1	B3-U0-G4	30373	150.6	B3-U0-G4		
	T4	28699	147.5	B3-U0-G4	30052	154.2	B5-U0-G5		
VAM-33L	T5	34841	145.8	B5-U0-G5	36043	150.7	B3-U0-G4	237.7	750W MH
	T3	36956	155.1	B3-U0-G4	38232	160.4	B3-U0-G5		
	T4	36569	153.3	B3-U0-G5	37831	158.5	B5-U0-G5		
VAM-37L	T5	36581	139.0	B5-U0-G5	37843	143.6	B4-U0-G4	263.0	750W MH
	T3	38802	147.9	B4-U0-G4	40141	152.8	B3-U0-G5		
	T4	38395	146.1	B3-U0-G5	39720	151.1	B5-U0-G5		
VAM-42L	T5	39310	135.9	B5-U0-G5	40666	140.4	B4-U0-G5	288.8	1000W MH
	T3	41696	144.6	B4-U0-G5	43135	149.4	B4-U0-G5		
	T4	41258	142.9	B4-U0-G5	42683	147.7	B5-U0-G5		

¹Values are nominal, see IES file for more detail ²Electrical data at 25C (77F). Actual wattage may differ by +/-10%.

AREA LIGHT SERIES

EPA RATINGS AND VIBRATION CHART

	SLPF		PMB		WEIGHT
VAS-21L/17L/14L	0.46	3g	0.49	3g	14 lbs
VAM-28L/24L/21L	0.61	3g	0.63	3g	18 lbs
VAM-42L/37L/33L	0.61	3g	0.63	3g	20 lbs
WEIGHT	3 lbs		4 lbs		

* EPA Ratings listed assume fixture is mounted horizontally. For adjustable mounting options, EPA will vary with selected angle.

RECOMMENDED LUMEN MAINTENANCE¹

AMBIENT TEMP C	INITIAL ²	25k hr ²	50k hr ²	75k hr ³	100k hr ³
0 C	1	0.97	0.95	0.92	0.9
10 C	1	0.97	0.95	0.92	0.9
20 C	1	0.97	0.95	0.92	0.9
25 C	1	0.97	0.95	0.92	0.9
30 C	1	0.97	0.95	0.92	0.9
40 C	1	0.96	0.92	0.89	0.86
50 C	1	0.94	0.90	0.86	0.82

¹Lumen maintenance values at 25C are calculated per TM-21 based on LM-80 data and in-situ testing.

²In accordance with IESNA TM-21-11, Projected Values represent interpolated value based on time durations that are within six times the IESNA LM-80-08 total test duration for the device under testing.

³In accordance with IESNA TM-21-11, Calculated Values represent time durations that exceed six times the IESNA LM-80-08 total test duration for the device under testing'

EPA DIAGRAMS AND MOUNTS

TILT DEGREE		0°	30°	45°	TILT DEGREE		0°	30°	45°
Single	VAS	0.46	1.37	1.80	T90°	VAS	1.10	1.90	2.50
	VAM	0.61	1.98	2.62		VAM	1.46	2.75	3.64
D180°	VAS	1.01	1.37	1.80	TN120°	VAS	1.20	2.88	3.74
	VAM	1.34	1.98	2.62		VAM	1.59	4.16	5.45
D90°	VAS	0.83	1.64	1.80	Q90°	VAS	1.10	1.90	2.50
	VAM	1.10	2.38	2.62		VAM	1.46	2.75	3.64

*Based on SPLF

ELECTRICAL DATA (AMPS)*

Lumen Package	120V	208V	240V	277V	347V	480V
VAS-14L	0.86	0.51	0.44	0.40	0.28	0.22
VAS-17L	1.06	0.63	0.55	0.49	0.35	0.28
VAS-21L	1.23	0.73	0.63	0.57	0.41	0.32
VAM-21L	1.25	0.75	0.65	0.58	0.43	0.34
VAM-24L	1.44	0.86	0.75	0.67	0.50	0.39
VAM-28L	1.64	0.98	0.85	0.76	0.56	0.44
VAM-33L	1.98	1.18	1.03	0.92	0.70	0.55
VAM-37L	2.19	1.31	1.13	1.02	0.78	0.61
VAM-42L	2.41	1.44	1.25	1.12	0.86	0.67

*Electrical data at 25C (77F). Actual wattage may differ by +/-10%.

SPECIFICATIONS

CONSTRUCTION

The Viewpoint series features a slim profile die-cast aluminum housing available in 2 different sizes for a fully scalable solution. The fully gasketed housing is IP66 rated for whole luminaire ingress protection against moisture and environmental contaminants. The Viewpoint's low-profile design results in a low EPA, allowing pole optimization to thinner or smaller size pole shafts. Vibration rated per ANSI C136.31 on all mountings (see table on page 3). The Viewpoint Series is protected with a durable bronze polyester powder coat finish to withstand extreme weather changes without cracking or peeling. Salt Spray tested for 500 hrs.

OPTICS

The IP66 silicone gasket sealed optical chamber utilizes proprietary polycarbonate refractive optics to provide exceptional coverage and uniformity in factory rotatable IES Types 3, 4, or 5. Available in 5000K or 4000K color temperatures per ANSI C78.377. Minimum CRI of 70. Optional field installed 3-sided glare shield accessory is available for on-site external house side protection.

ELECTRICAL

Class 1 High-performance drivers features over-voltage, under-voltage, short circuit and over temperature protection. 0-10V dimming (10% - 100%) standard. Standard Universal Voltage (120-277 Vac) Input 50/60 Hz or optional High Voltage (347-480 Vac). L80 >100,000 hrs. in accordance with IESNA TM-21-19 projected values at 25°C Ambient temperature. Total harmonic distortion: <20%. Power factor: >0.90. Input power stays constant over life. Minimum 6kV surge rating meets a minimum Category C Low operation (per ANSI/IEEE C62.41.2). Additional protection is available in 10kV and 20kV options.

THERMAL

The Viewpoint Series features an array of High-efficacy LED's mounted on a metal core circuit board. The LED boards are mounted directly to the cast aluminum housing with heat dissipating fins to provide excellent thermal performance extending the life of electronic components. Operating Ambient Temperature: -40°C to +50°C (-40°F to 122°F).

INSTALLATION

The versatile Viewpoint comes with 3 mounting method options. A fully adjustable Slip fitter (SLPF) to mount to any vertical or horizontal tenon 2" pipe (2-3/8" OD), adjustable pole mounting bracket (PMB) for Square or 4-5" Round Poles, and an adjustable wall mount bracket, see table on page 2 for mounting compatibility and vibration ratings. 3' 600V power cord(s) provided standard with 0-10V dimming (10-100%).

CONTROLS

Standalone Controls:

Factory installed 3-Pin & 7-Pin ANSI C136.41 Control Receptacle Options available. Dusk to Dawn twist lock photocells sold separately (See accessories). Optional PIR sensors available installed in housing hinged door. Sensors provide optional on/off control, photocell capability, bi-level dimming, high-end trim, and bluetooth configuration allows for on-site modifications.

Wireless Control Systems:

The Viewpoint Series is wireless mesh controls ready with Synapse wireless controls via 7-Pin receptacles. Available with and without PIR sensors. Inquire with factory for more information or for additional controls options, including customer supplied items.

WARRANTY

5 Year Warranty Standard; 10 Year Warranty Optional (Terms and Conditions apply).

CERTIFICATIONS

ETL Listed for wet locations. Tested in accordance with IESNA LM-79 and LM-80 standards. RoHS Compliant. Title 24 Compliant; see local ordinance for qualification information. IP66 rated Luminaire per IEC 60598. IP66 rated optical chamber. Not all versions of this product may be DLC Premium qualified. Please check the DLC Qualified Products List at www.designlights.org/QPL to confirm which versions are qualified.

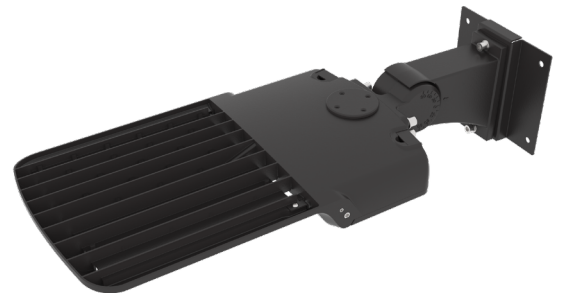
MOUNTING OPTIONS



PMB
Pole Mount Bracket



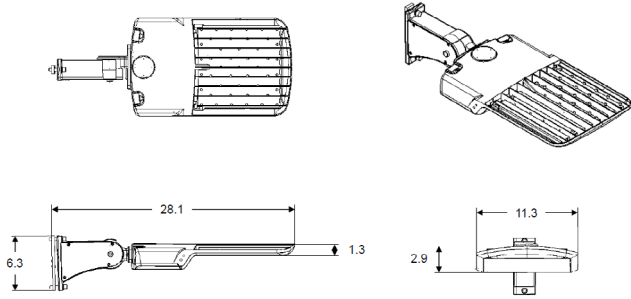
SLPF
Adjustable Slip Fitter



WMB
Wall Mount Bracket

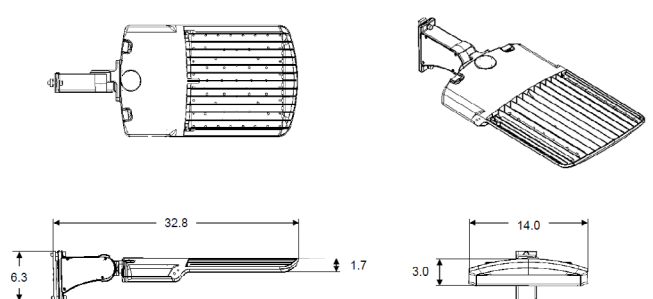
LINE DRAWINGS

VAS Pole Mount Bracket (PMB)



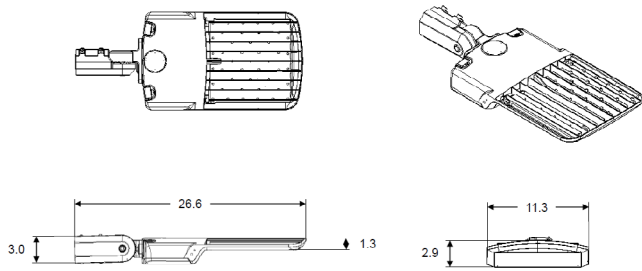
*Suitable for Square or 4"-5" Round Poles

VAM Pole Mount Bracket (PMB)

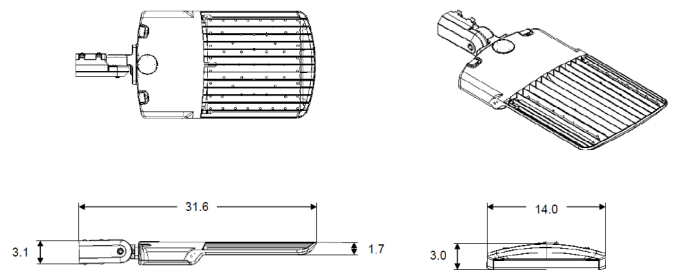


*Suitable for Square or 4"-5" Round Poles

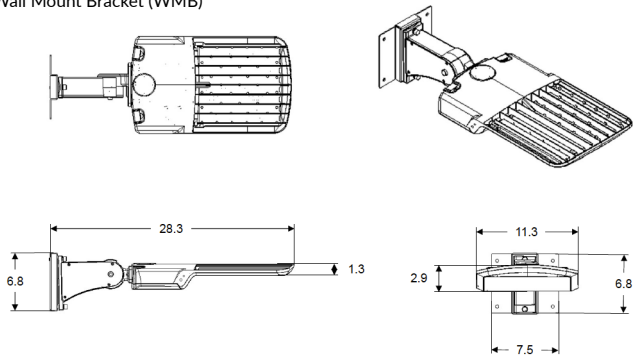
VAS Adjustable Slip Fitter (SPLF)



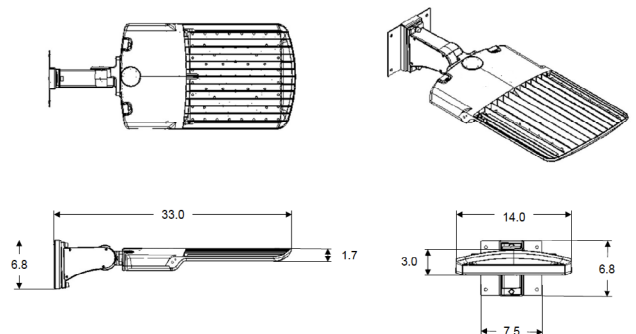
VAM Adjustable Slip Fitter (SPLF)



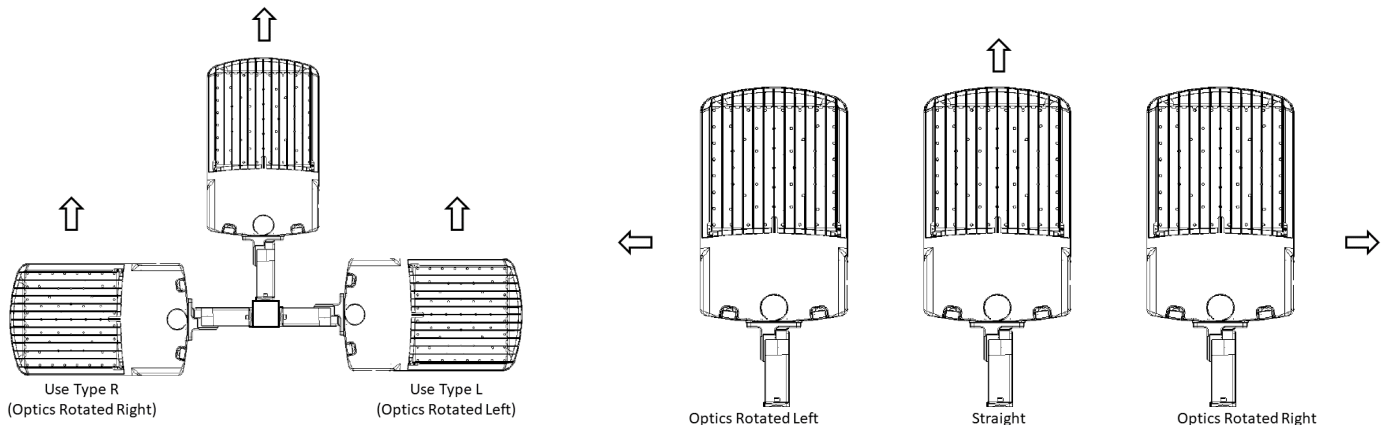
VAS Wall Mount Bracket (WMB)



VAM Wall Mount Bracket (WMB)



OPTICS ORIENTATION



viewpoint

AREA LIGHT SERIES

CONTROLS

BASIC

CRxP

3-Pin or 7-pin ANSI C136.41-2013 control receptacle option available for NEMA twist lock photocontrols or wireless control modules. Control accessories sold separately. Dimming leads from the receptacle will be connected to the driver dimming leads (Consult factory for alternate wiring). x = Number of pins (3 or 7).

FSP-311/Ly - FSP-321/Ly

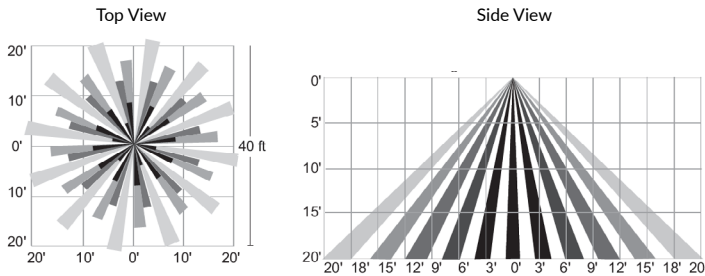
Optional Bluetooth Programmable PIR sensor allows for Continuous Dimming, Motion and/ or daylight harvesting, Fully adjustable high/low dimmed light levels, and Adjustable time delay/ cutoff delay. The sensor is programmed via a free iOS® or Android® Sensor Configuration App (compatible device provided by others). Available in 10'-20' or 20'-40' mounting lenses. See coverage patterns below, L7=20'-40', L3=20'-40'.

Default Settings:

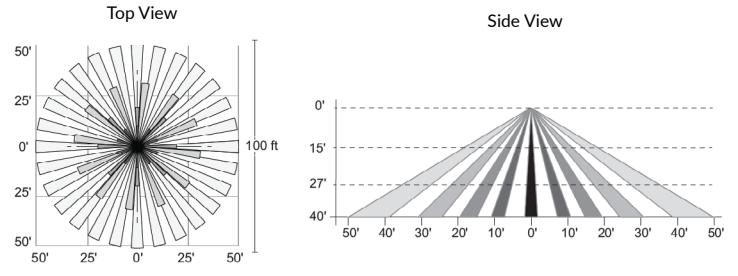
- High Mode: 100% Output
- Low Mode: 10% Output
- Time Delay: 5 mins
- Cutoff: 1 hr
- Sensitivity: High
- Photocell: Disabled
- Continuous Dimming: Disabled

COVERAGE PATTERNS

FSP-3xx/L3



FSP-3xx/L7



ADVANCED

Synapse (TL7)

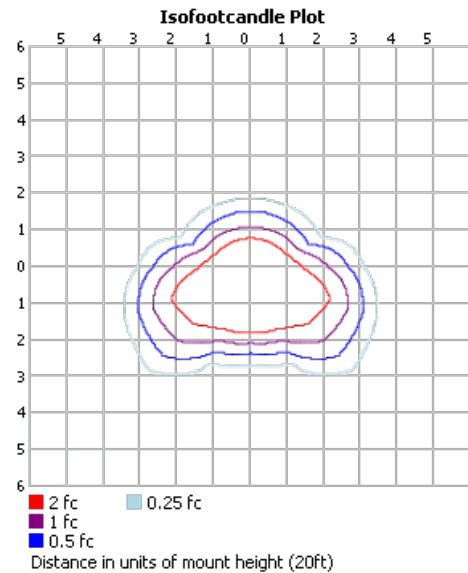
Utilizing a robust 2.4 GHz Self-Healing Mesh Network, Synapse provides flexibility and scalability making it a perfect outdoor solution for both new construction and retrofit projects. The easy-to-use web application is accessible on any device with an internet connection and allows for complete customization of the system and its features. External radio (TL7) includes (1) low voltage input for a Wattstopper sensor, available in both universal(120-277V) or high voltage (480V). Sensors available in 20' or 40' mounting lenses. See coverage patterns below. Sensor mounted on hinged driver cover.



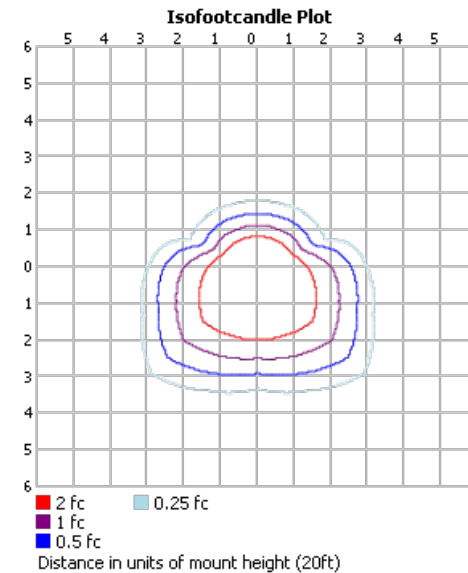
PHOTOMETRIC REPORTS

Photometric values based upon tests performed in compliance with LM-79. IES files can be downloaded at www.ilp-inc.com

Type 3



Type 4



Type 5

