

# SKYLINE

## AREA LIGHT SERIES



407-478-3759  
www.ilp-inc.com

Product Overview



SCAN ME



\* Shown with UMB Mounting

### FEATURES

- Specification Grade die-cast aluminum housing
- Bronze polyester powder coat finish (standard)
- Custom and factory select colors available
- 5 Optical Distributions with Highest Uniformity in their product class
- Factory Rotatable Type 2, 3, 4, 5 Square, & Automotive Front Row Optics
- Optional Spill Light Control Integral Shield (HSS)
- Universal Quick Pole Mount Allows for 1 man installation on existing poles with no drilling required
- 9 Different Optional Mounting Methods (3G Rated)<sup>3</sup>
- Single Fastener hinged door driver access
- 120-277V Universal Voltage or 347-480V High Voltage
- 0-10V Dimmable Driver (std.)
- PIR Occupancy, Photocell, & Bi-Level Dimming Sensors Available
- 3-Pin & 7-Pin ANSI C136.41 Control Receptacle Options
- Wireless control integrated luminaire
- 3000K, 4000K & 5000K CCT
- >70 Color Rendering Index (CRI)
- Calculated L80 >100,000 hrs @ 25°C per TM-21-11
- IP66 Rated Luminaire
- Dark Sky Compliant<sup>1,2</sup>
- 5 Year Warranty; 10 Year Optional Warranty<sup>4</sup>
- ETL Listed for Wet Locations
- DesignLights Consortium® Premium Qualified Luminaire



<sup>1</sup> 3000K is IDA Listed    <sup>2</sup> Must select UMB, WFM, or HTM mounting options to qualify  
<sup>3</sup> TRN & SLPF 1.5G Rated    <sup>4</sup> Requires additional Surge Protection (SP1, SP2, SP480V2);  
 For additional details see General Terms and Conditions



### SUITABLE APPLICATIONS

- Parking Lots
- Parking Structure
- Parks
- Education
- Hospitals
- Car Dealerships
- Roadways
- Shopping Centers

### ORDERING GUIDE

| SERIES           | LUMENS               | VOLTAGE            | CCT             | DISTRIBUTION                        | ORIENTATION                   | MOUNTING   | FINISH                     | WARRANTY                      |
|------------------|----------------------|--------------------|-----------------|-------------------------------------|-------------------------------|--|----------------------------|-------------------------------|
| <b>SAS</b> Small | <b>6L</b> 6,000 lm   | <b>U</b> 120-277v  | <b>30</b> 3000K | <b>T2</b> T2 - Type 2               | (Blank) - Standard            | <b>SLPF</b> Adjustable Slip Fitter                   | <b>BRZ</b>                 | <b>(Blank)</b> 5YR            |
|                  | <b>9L</b> 9,000 lm   | <b>HV</b> 347-480v | <b>40</b> 4000K | <b>T3</b> T3 - Type 3               | <b>L</b> Optics Rotated Left  | <b>UMB</b> Universal Fixed                           | <b>BLK</b>                 | <b>10YR<sup>10</sup></b> 10YR |
|                  | <b>12L</b> 12,000 lm |                    | <b>50</b> 5000K | <b>T4</b> T4 - Type 4               | <b>R</b> Optics Rotated Right | <b>UMB/R</b> Universal Mount Sqr/Rnd pole 3"-6"      | <b>WHT</b>                 |                               |
|                  | <b>15L</b> 15,000 lm |                    |                 | <b>T5S</b> Type 5 Square            |                               | <b>UAB</b> Universal Adjustable                      | <b>SLV</b>                 |                               |
|                  | <b>18L</b> 18,000 lm |                    |                 | <b>FTA</b> Forward Throw Automotive |                               | <b>UAB/R</b> Universal Adjustable Sqr/Rnd pole 3"-6" | <b>RALxxxx<sup>9</sup></b> |                               |
| <b>SAM</b> Med   | <b>24L</b> 24,000 lm |                    |                 |                                     |                               | <b>WFM</b> Wall Fixed Mount                          |                            |                               |
|                  | <b>30L</b> 30,000 lm |                    |                 |                                     |                               | <b>WAM</b> Wall Adjustable Mount                     |                            |                               |
|                  | <b>36L</b> 36,000 lm |                    |                 |                                     |                               | <b>TRN</b> Trunnion Mount                            |                            |                               |
|                  | <b>42L</b> 42,000 lm |                    |                 |                                     |                               | <b>HTM</b> Horizontal Tenon Mount                    |                            |                               |
|                  | <b>50L</b> 50,000 lm |                    |                 |                                     |                               |  |                            |                               |

| BASIC CONTROLS                    |  | ADVANCED CONTROLS                 |  |
|-----------------------------------|--|-----------------------------------|--|
| <b>(Blank)</b>                    | None   | <b>(Blank)</b>                    | None   |
| <b>FAO<sup>1,8</sup></b>          | Field Adjustable Output  | <b>SYN<sup>5,8</sup></b>          | Synapse Control System   |
| <b>CR3P<sup>8</sup></b>           | 3-Pin NEMA Control receptacle  | <b>SYNS/LX<sup>5,8</sup></b>      | Synapse Control System w/ Sensor (X = Mounting Height 3=10-20', 7=20-40')                        |
| <b>CR7P<sup>6,8</sup></b>         | 7-Pin NEMA Control receptacle  | <b>SU/5S/LR/IL<sup>1,8</sup></b>  | Enlighted 5S Individual Lighting (IL) Sensor with Control Unit                                   |
| <b>FSP-311/LX<sup>1,3,8</sup></b> | Legrand FSP-311 120-277V Sensor (X = Mounting Height 3=10-20', 7=20-40')   | <b>SU/5S/LR/CL<sup>1,8</sup></b>  | Enlighted 5S Connected Lighting (CL) Sensor with Control Unit                                    |
| <b>FSP-321/LX<sup>3,8</sup></b>   | Legrand FSP-321 347-480V Sensor (X = Mounting Height 3=10-20', 7=20-40')   | <b>SU/5S/LR/IOT<sup>1,8</sup></b> | Enlighted 5S Internet of Things (IOT) Sensor with Control Unit                                   |
| <b>CR3P/FAO<sup>8</sup></b>       | Universal 3-Pin control receptacle (See acc. for photocells) with Field Adjustable Output - 7 level selection connected to 0-10V dimming wires | <b>ZLD1Z<sup>1,3,8</sup></b>      | Leviton ZLD1Z 120-277V Bluetooth Groupable Sensor (16 Devices) with 8-20' & 20-40' lens included |
| <b>CR7P/FSP/Lx<sup>8</sup></b>    | Universal 7-Pin control receptacle with FSP Sensor (X= Mounting Height, 3=20', 7=40') (Controls provided by others)                            |                                   |  |

| OPTIONS - FACTORY INSTALLED |                                    | ACCESSORIES                   |  |
|-----------------------------|------------------------------------|-------------------------------|--|
| <b>(Blank)</b>              | None                               | <b>SAx/BIRD</b>               | Bird Spikes (x= fixture size)            |
| <b>SP1<sup>1</sup></b>      | 10kA Surge Protection Device       | <b>TL7/HVG<sup>5,7</sup></b>  | Synapse Twist Lock Mesh Network 480V     |
| <b>SP2<sup>1</sup></b>      | 20kA Surge Protection Device       | <b>SAx/GS<sup>2</sup></b>     | Rotatable Glare Shield (x= fixture size) |
| <b>HSS<sup>2</sup></b>      | Rotatable House Side Shield        | <b>TL7/B2<sup>1,5,7</sup></b> | Synapse Twist Lock Mesh Network 120-277V |
| <b>FUSE/SXXX</b>            | FUSE 120V, 277V, 347V (x= voltage) | <b>ILP PAINT CHIP PACK</b>    | ILP Standard Color Paint Chips           |
| <b>FUSE/DXXX</b>            | FUSE 208V, 240V, 480V (x= voltage) |                               |  |

<sup>1</sup> Not available with HV option    <sup>2</sup> Option Not DLC qualified    <sup>3</sup> Requires Bluetooth Enabled device for programming (provided by others)    <sup>4</sup> Only Compatible with CR3P and CR7P    <sup>5</sup> Contact Factory for Site Layout, For HV models contact Factory for pricing.    <sup>6</sup> Dimming Leads will be wired to receptacle unless otherwise specified    <sup>7</sup> CR7P Required    <sup>8</sup> Only one control option allowed    <sup>9</sup> Contact factory for pricing and availability    <sup>10</sup> Requires additional Surge Protection (SP1, SP2, SP480V2); For additional details see General Terms and Conditions. Consult Factory for pricing

# SKYLINE

## AREA LIGHT SERIES

| LED SYSTEMS INFO |              | 3000K  |          | 4000K  |          | 5000K  |          | BUG Rating | Watts <sup>2</sup> | Replaces |
|------------------|--------------|--------|----------|--------|----------|--------|----------|------------|--------------------|----------|
| Part Numbers     | Distribution | Lumens | Efficacy | Lumens | Efficacy | Lumens | Efficacy |            |                    |          |
| SAS-6L           | 2            | 6322   | 138.0    | 6655   | 145.3    | 6788   | 148.2    | B1-U0-G1   | 46 W               | 175W MH  |
|                  | 3            | 6301   | 137.6    | 6633   | 144.8    | 6766   | 147.7    | B1-U0-G2   |                    |          |
|                  | 4            | 6234   | 136.1    | 6562   | 143.3    | 6693   | 146.1    | B1-U0-G1   |                    |          |
|                  | 5S           | 6345   | 138.5    | 6679   | 145.8    | 6813   | 148.7    | B3-U0-G2   |                    |          |
|                  | FTA          | 6824   | 149.0    | 7183   | 156.8    | 7327   | 160.0    | B1-U0-G1   |                    |          |
| SAS-9L           | 2            | 8941   | 127.9    | 9412   | 134.6    | 9600   | 137.3    | B1-U0-G2   | 70 W               | 250W MH  |
|                  | 3            | 8912   | 127.5    | 9381   | 134.2    | 9569   | 136.9    | B2-U0-G2   |                    |          |
|                  | 4            | 8817   | 126.1    | 9281   | 132.8    | 9467   | 135.4    | B2-U0-G2   |                    |          |
|                  | 5S           | 8973   | 128.4    | 9445   | 135.1    | 9634   | 137.8    | B4-U0-G2   |                    |          |
|                  | FTA          | 9650   | 138.1    | 10158  | 145.3    | 10361  | 148.2    | B1-U0-G1   |                    |          |
| SAS-12L          | 2            | 12693  | 154.4    | 13361  | 162.5    | 13628  | 165.8    | B2-U0-G2   | 82 W               | 320W MH  |
|                  | 3            | 12652  | 153.9    | 13318  | 162.0    | 13584  | 165.3    | B2-U0-G2   |                    |          |
|                  | 4            | 12516  | 152.3    | 13175  | 160.3    | 13439  | 163.5    | B2-U0-G2   |                    |          |
|                  | 5S           | 12739  | 155.0    | 13409  | 163.1    | 13677  | 166.4    | B4-U0-G2   |                    |          |
|                  | FTA          | 13700  | 166.7    | 14421  | 175.4    | 14709  | 178.9    | B2-U0-G1   |                    |          |
| SAS-15L          | 2            | 16013  | 148.1    | 16856  | 155.9    | 17193  | 159.0    | B2-U0-G2   | 108 W              | 400W MH  |
|                  | 3            | 15962  | 147.7    | 16802  | 155.4    | 17138  | 158.5    | B2-U0-G2   |                    |          |
|                  | 4            | 15791  | 146.1    | 16622  | 153.8    | 16954  | 156.8    | B2-U0-G2   |                    |          |
|                  | 5S           | 16070  | 148.7    | 16916  | 156.5    | 17254  | 159.6    | B4-U0-G2   |                    |          |
|                  | FTA          | 17283  | 159.9    | 18193  | 168.3    | 18557  | 171.7    | B2-U0-G1   |                    |          |
| SAS-18L          | 2            | 18245  | 138.5    | 19205  | 145.8    | 19589  | 148.7    | B3-U0-G2   | 132 W              | 400W MH  |
|                  | 3            | 18186  | 138.1    | 19143  | 145.4    | 19526  | 148.3    | B3-U0-G3   |                    |          |
|                  | 4            | 17984  | 136.6    | 18931  | 143.7    | 19310  | 146.6    | B3-U0-G3   |                    |          |
|                  | 5S           | 18310  | 139.0    | 19274  | 146.3    | 19659  | 149.3    | B5-U0-G3   |                    |          |
|                  | FTA          | 19692  | 149.5    | 20728  | 157.4    | 21143  | 160.5    | B2-U0-G1   |                    |          |
| SAM-24L          | 2            | 23494  | 142.4    | 24730  | 149.9    | 25225  | 152.9    | B3-U0-G3   | 165 W              | 400W MH  |
|                  | 3            | 23373  | 141.7    | 24603  | 149.1    | 25095  | 152.1    | B3-U0-G4   |                    |          |
|                  | 4            | 23203  | 140.6    | 24424  | 148.0    | 24912  | 151.0    | B3-U0-G4   |                    |          |
|                  | 5S           | 23911  | 144.9    | 25169  | 152.5    | 25672  | 155.6    | B5-U0-G3   |                    |          |
|                  | FTA          | 23559  | 142.8    | 24799  | 150.3    | 25295  | 153.3    | B2-U0-G2   |                    |          |
| SAM-30L          | 2            | 30061  | 135.0    | 31643  | 142.1    | 32276  | 144.9    | B3-U0-G3   | 222 W              | 750W MH  |
|                  | 3            | 29906  | 134.3    | 31480  | 141.4    | 32110  | 144.2    | B3-U0-G4   |                    |          |
|                  | 4            | 29688  | 133.3    | 31251  | 140.3    | 31876  | 143.1    | B3-U0-G4   |                    |          |
|                  | 5S           | 30594  | 137.4    | 32204  | 144.6    | 32848  | 147.5    | B5-U0-G4   |                    |          |
|                  | FTA          | 30144  | 135.4    | 31730  | 142.5    | 32365  | 145.3    | B3-U0-G2   |                    |          |
| SAM-36L          | 2            | 36547  | 153.6    | 38470  | 161.7    | 39239  | 164.9    | B3-U0-G3   | 237 W              | 750W MH  |
|                  | 3            | 36357  | 152.8    | 38271  | 160.9    | 39036  | 164.1    | B3-U0-G5   |                    |          |
|                  | 4            | 34913  | 146.8    | 36750  | 154.5    | 37485  | 157.6    | B3-U0-G5   |                    |          |
|                  | 5S           | 35977  | 151.2    | 37871  | 159.2    | 38628  | 162.4    | B5-U0-G4   |                    |          |
|                  | FTA          | 35448  | 149.0    | 37314  | 156.8    | 38060  | 160.0    | B3-U0-G2   |                    |          |
| SAM-42L          | 2            | 39231  | 141.6    | 41296  | 149.0    | 42122  | 152.0    | B4-U0-G3   | 277 W              | 1000W MH |
|                  | 3            | 39099  | 141.1    | 41157  | 148.5    | 41980  | 151.5    | B3-U0-G5   |                    |          |
|                  | 4            | 38885  | 140.3    | 40932  | 147.7    | 41751  | 150.7    | B3-U0-G5   |                    |          |
|                  | 5S           | 39927  | 144.1    | 42028  | 151.7    | 42869  | 154.7    | B5-U0-G4   |                    |          |
|                  | FTA          | 39340  | 142.0    | 41410  | 149.4    | 42238  | 152.4    | B3-U0-G2   |                    |          |
| SAM-50L          | 2            | 48196  | 142.3    | 50732  | 149.8    | 51747  | 152.8    | B4-U0-G4   | 338.6              | 1000W MH |
|                  | 3            | 48033  | 141.9    | 50561  | 149.3    | 51573  | 152.3    | B4-U0-G5   |                    |          |
|                  | 4            | 47771  | 141.1    | 50285  | 148.5    | 51291  | 151.5    | B4-U0-G5   |                    |          |
|                  | 5S           | 49050  | 144.9    | 51631  | 152.5    | 52664  | 155.5    | B5-U0-G5   |                    |          |
|                  | FTA          | 48329  | 142.7    | 50872  | 150.2    | 51890  | 153.2    | B3-U0-G3   |                    |          |

<sup>1</sup>Values are nominal, see IES file for more detail

<sup>2</sup>Electrical data at 25C (77F). Actual wattage may differ by +/-10%.







# SKYLINE

## AREA LIGHT SERIES

### EPA RATINGS AND VIBRATION CHART

|        | SLPF    |      | UMB     |    | UAB     |    | WFM     |    | WAM     |    | TRN     |      | HTM     |    | WEIGHT |
|--------|---------|------|---------|----|---------|----|---------|----|---------|----|---------|------|---------|----|--------|
| SAS    | 0.53    | 1.5g | 0.47    | 3g | 0.53    | 3g | 0.47    | 3g | 0.53    | 3g | 0.47    | 1.5g | 0.47    | 3g | 11 lbs |
| SAM    | 0.71    | 1.5g | 0.64    | 3g | 0.71    | 3g | 0.64    | 3g | 0.71    | 3g | 0.64    | 1.5g | 0.64    | 3g | 22 lbs |
| WEIGHT | 4.5 lbs |      | 2.5 lbs |    | 5.5 lbs |    | 3.0 lbs |    | 6.0 lbs |    | 2.5 lbs |      | 3.5 lbs |    |        |

\* EPA Ratings listed assume fixture is mounted horizontally. For adjustable mounting options, EPA will vary with selected angle.

| TILT DEGREE   |     | 0°   | 30°  | 45°  | TILT DEGREE   |     | 0°   | 30°  | 45°  |
|---|-----|------|------|------|---|-----|------|------|------|
| <br>Single | SAS | 0.47 | 1.32 | 1.72 | <br>T90°   | SAS | 1.13 | 1.83 | 2.39 |
|   | SAM | 0.64 | 2.49 | 3.32 |   | SAM | 1.54 | 3.46 | 4.61 |
| <br>D180°   | SAS | 1.03 | 1.32 | 1.72 | <br>TN120° | SAS | 1.22 | 2.77 | 3.58 |
|   | SAM | 1.41 | 2.49 | 3.32 |   | SAM | 1.66 | 5.23 | 6.91 |
| <br>D90°   | SAS | 0.85 | 1.58 | 1.72 | <br>Q90°   | SAS | 1.13 | 1.83 | 2.39 |
|   | SAM | 1.15 | 2.99 | 3.32 |   | SAM | 1.54 | 3.46 | 4.61 |

\*EPA for UMB, WFM, TRN, and HTM mounts

### ELECTRICAL DATA (AMPS)

| Lumen Package | 120V   | 208V   | 240V   | 277V   | 347V   | 480V   |
|---------------|--------|--------|--------|--------|--------|--------|
| 6L            | 0.38 A | 0.22 A | 0.19 A | 0.17 A | 0.13 A | 0.10 A |
| 9L            | 0.58 A | 0.34 A | 0.29 A | 0.25 A | 0.20 A | 0.15 A |
| 12L           | 0.73 A | 0.42 A | 0.37 A | 0.32 A | 0.25 A | 0.18 A |
| 15L           | 0.92 A | 0.53 A | 0.46 A | 0.40 A | 0.32 A | 0.23 A |
| 18L           | 1.14 A | 0.66 A | 0.57 A | 0.49 A | 0.39 A | 0.29 A |
| 24L           | 1.39 A | 0.80 A | 0.70 A | 0.60 A | 0.48 A | 0.35 A |
| 30L           | 1.83 A | 1.06 A | 0.92 A | 0.79 A | 0.63 A | 0.46 A |
| 36L           | 1.96 A | 1.13 A | 0.98 A | 0.85 A | 0.68 A | 0.49 A |
| 42L           | 2.27 A | 1.31 A | 1.13 A | 0.98 A | 0.78 A | 0.57 A |
| 50L           | 2.82 A | 1.63 A | 1.41 A | 1.22 A | 0.98 A | 0.71 A |

<sup>1</sup>Electrical data at 25C (77F). Actual wattage may differ by +/-10%.

# SKYLINE

## AREA LIGHT SERIES

### SPECIFICATIONS

#### CONSTRUCTION

The Skyline series features a slim profile die-cast aluminum housing available in 2 different sizes for a fully scalable solution. The versatile 9 optional mounting methods allow for easy installation while the hinged door allows for quick drop-down driver access for maintenance. The standard Keyhole / slotted UMB mounting bracket allows for a “no-drilling” 1-man installation by mounting the UMB on existing pole drillings and the luminaire head onto the UMB, substantially reducing installation labor. The fully gasketed housing is IP66 rated for whole luminaire ingress protection against moisture and environmental contaminants. The Skyline’s low-profile design results in a low EPA, allowing pole optimization to thinner or smaller size pole shafts. Vibration rated per ANSI C136.31 on all mountings (see table Above). The Skyline Series is protected with a durable bronze polyester powder coat finish to withstand extreme weather changes without cracking or peeling.

#### OPTICS

The IP66 silicone gasket sealed optical chamber utilizes proprietary polycarbonate refractive optics to provide exceptional coverage and uniformity in factory rotatable IES Types 2, 3, 4, 5S (Square) or FTA (Forward Throw Automotive). Polycarbonate optics are impact resistant and UV stabilized for maximum longevity. Available in 5000K, 4000K, and 3000K, color temperatures per ANSI C78.377. Minimum CRI of 70. The optical integrated House side shield (HSS) option allows for improved backlight control without any large shields taking away from the site. The Skyline series produces Zero uplight and is IDA listed in 3000K color temperature. Optional field installed 3-sided glare shield accessory is available for on-site external house side protection.

#### ELECTRICAL

Class 1 High-performance drivers features over-voltage, under-voltage, short circuit and over temperature protection. 0-10V dimming (10% - 100%) standard. Standard Universal Voltage (120-277 Vac) Input 50/60 Hz or optional High Voltage (347-480 Vac). L80 >100,000 hrs. in accordance with IESNA TM-21-19 projected values at 25°C Ambient temperature. Total harmonic distortion: <20%. Power factor: >0.90. Input power stays constant over life. Minimum 6kV surge rating meets a minimum Category C Low operation (per ANSI/IEEE C62.41.2). Additional protection is available in 10kV and 20kV options.

#### THERMAL

The Skyline Series features an array of High-efficacy LED’s mounted on a metal core circuit board. The LED boards are mounted directly to the cast aluminum housing with heat dissipating fins to provide excellent thermal performance extending the life of electronic components. Operating Ambient Temperature: -40°C to +50°C (-40°F to 122°F) 50L Lumen -- Package: -40°C to +45°C (-40°F to 113°F).

#### INSTALLATION

The versatile Skyline series comes with 9 optional mounting methods. The standard keyhole / slotted universal mounting bracket (UMB) allows for a “no-drilling” 1-man installation by mounting the UMB on existing pole drillings and the luminaire head onto the UMB, substantially reducing installation labor. The 3G rated UMB quick mount allows for pole mounting to any round 3"-6" or square 4-6" poles with a vertical mounting pattern between 2"-5". The 3G rated universal adjustable mount (UAB) model adds full range tilting to the standard UMB fixed model.

The 3G rated wall fixed mount (WFM) allows for easy installation to any vertical wall surface or J-box. The optional 3G rated wall adjustable mount (WAM) adds full range wall mount tilting. The 3G rated horizontal mast arm (HMA) mount is designed for straight horizontal 2"(2-3/8" OD) mast arms. The 1.5G rated adjustable slip fitter (SLPF) mounts to any vertical or horizontal tenon 2" pipe (2-3/8" OD) allowing for full range tilting.

The trunnion/yoke bracket (TRN) enables the Skyline to be used for general flood applications with full range tilting as required.

All mounting methods are provided with a 3-wire 3' outdoor rated cord is provided for wiring. 5-wire cord optional for external dimming, consult factory. See charts above for all vibration, weight, and EPA results.

#### CONTROLS

Standalone Controls:

Factory installed 3-Pin & 7-Pin ANSI C136.41 Control Receptacle Options available. Dusk to Dawn twist lock photocells sold separately (See accessories). Optional PIR sensors available installed in housing hinged door. Sensors provide optional on/off control, photocell capability, bi-level dimming, high-end trim, and bluetooth configuration allows for on-site modifications.

Wireless Control Systems:

The Skyline Series is wireless mesh controls ready with Synapse, Enlighted, and Leviton Bluetooth Mesh wireless control platforms. Available with and without PIR sensors. Inquire with factory for more information or for additional controls options, including customer supplied items.

#### WARRANTY

5 Year Warranty Standard; 10 Year Warranty Optional (Terms and Conditions apply).

#### CERTIFICATIONS

ETL Listed for wet locations. Tested in accordance with IESNA LM-79 and LM-80 standards. BAA compliant. RoHS Compliant. Title 24 Compliant; see local ordinance for qualification information. IP66 rated Luminaire per IEC 60598. IP66 rated optical chamber. ASTM B117 Salt Spray Tested 500 Hrs.

DLC Premium Listed Product, Not all versions of this product may be DLC Premium qualified. Please check the DLC Qualified Products List at [www.designlights.org/QPL](http://www.designlights.org/QPL) to confirm which versions are qualified.

# SKYLINE

## AREA LIGHT SERIES

### BASIC

#### FAO

Internal bi-level switch offers adjustable light levels for greater flexibility within one product. Utilizes 0-10V dimming wires and cannot be combined with other sensor or control options.

#### CRxP

3-Pin or 7-pin ANSI C136.41-2013 control receptacle option available for NEMA twist lock photocontrols or wireless control modules. Control accessories sold separately. Dimming leads from the receptacle will be connected to the driver dimming leads (Consult factory for alternate wiring). x = Number of pins (3 or 7).

#### FSP-311/Ly - FSP-321/Ly

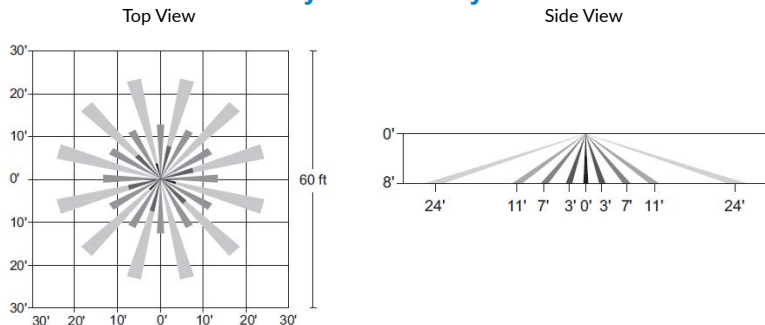
Optional Bluetooth Programmable PIR sensor allows for Continuous Dimming, Motion and/ or daylight harvesting, Fully adjustable high/low dimmed light levels, and Adjustable time delay/ cutoff delay. The sensor is programmed via a free iOS® or Android® Sensor Configuration App (compatible device provided by others). Available in 10'-20' or 20'-40' mounting lenses. See coverage patterns below, L7=20'-40', L3=20'-40'.

Default Settings:

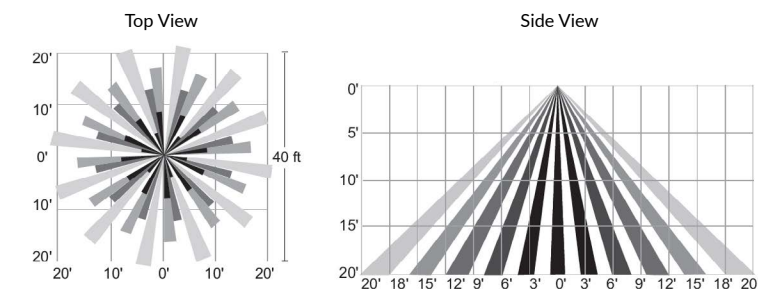
- High Mode: 100% Output
- Low Mode: 10% Output
- Time Delay: 5 mins
- Cutoff: 1 hr
- Sensitivity: High
- Photocell: Disabled
- Continuous Dimming: Disabled

### COVERAGE PATTERNS

#### SYNS/L2 and FSP-311/Ly - FSP-321/Ly



#### SYNS/L3 and FSP-311/Ly - FSP-321/Ly



### ADVANCED

#### Synapse (SYN or TL7)

Utilizing a robust 2.4 GHz Self-Healing Mesh Network, Synapse provides flexibility and scalability making it a perfect outdoor solution for both new construction and retrofit projects. The easy-to-use web application is accessible on any device with an internet connection and allows for complete customization of the system and its features. Integral radio (SYN) includes (2) 24V inputs for a Wattstopper sensor or twist lock photocell into the wireless lighting system. External radio (TL7) includes (1) low voltage input for a Wattstopper sensor, available in both universal(120-277V) or high voltage (480V). Sensors available in 20' or 40' mounting lenses. See coverage patterns below. Sensor mounted on hinged driver cover. Antenna exits side of luminaire for maximum connectivity.

#### Enlighted

Enlighted's three-tier, over-the-air upgradeable wireless control platforms provide out-of-the-box compliance with energy use regulations. The comprehensive capabilities of the sensor include vacancy detection, daylight harvesting, demand response, and energy savings reporting. Enlighted's enterprise system allows for easy integration of indoor and outdoor lighting with building management systems for site-wide IOT management. Enlighted ruggedized sensor mounted on hinged driver cover.

#### • Enlighted One (SU/5S/LR/IL)

-Fixtures are controlled based on occupancy and ambient light. Includes ability to group fixtures together and connect to a switch to zone fixtures for group operation.

#### • Enlighted Connected (SU/5S/LR/CL)

-Fixtures are controlled based on occupancy & ambient light. Includes individual lighting control plus connection to Enlighted Energy Manager. The Energy Manager provides data analysis for all data collected by the Enlighted Smart Sensors for energy, occupancy & environment.

#### • Enlighted IOT (SU/5S/LR/IOT)

-Fixtures are controlled based on occupancy and ambient light. Includes individual lighting control plus connection to Enlighted Energy Manager. The Energy Manager provides data analysis for all data collected by Enlighted Smart Sensors for energy, occupancy & environment. Additionally, the IOT functionality takes the data access and function beyond just lighting to a wide range of applications beyond the standard connected lighting controls.

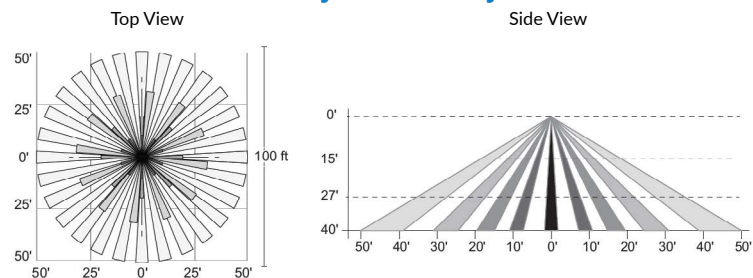
#### Leviton ZLD1Z

Optional Bluetooth Groupable PIR sensor that allows for Programmable Options such as, Continuous Dimming, Motion and/ or daylight harvesting, fully adjustable high/ low dimmed light levels, and Adjustable time delay/ cutoff delay. The sensor is programmed via a free iOS® or Android® Sensor Configuration App (compatible device provided by others). Sensor Mesh Grouping allows for 16 devices per group, with both Occupancy and Daylight Control. Recommended spacing < 100'. Comes standard with both 8'-20' or 20'-40' mounting lenses. See coverage patterns on page 6.

Default Settings:

- High Mode: 100% Output
- Auto-ON/Auto-OFF with 20-minute timeout
- Sensitivity: High
- Daylight Harvesting: Enabled

#### SYNS/L7 and FSP-311/Ly - FSP-321/Ly



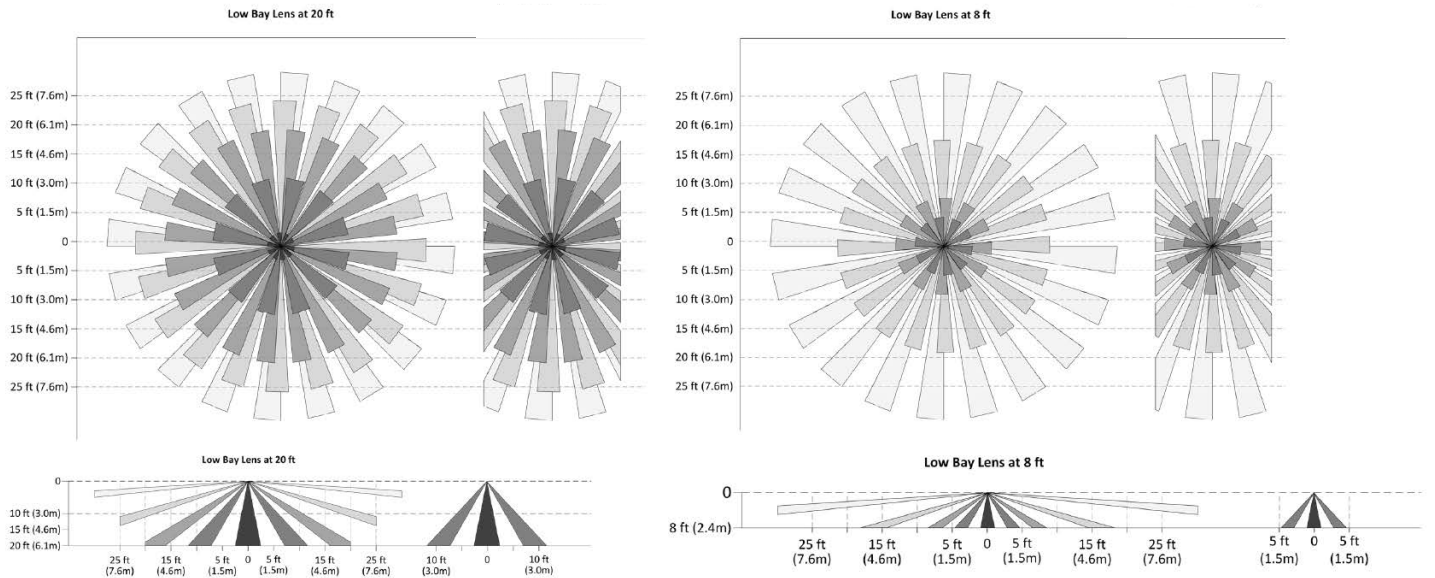


# SKYLINE

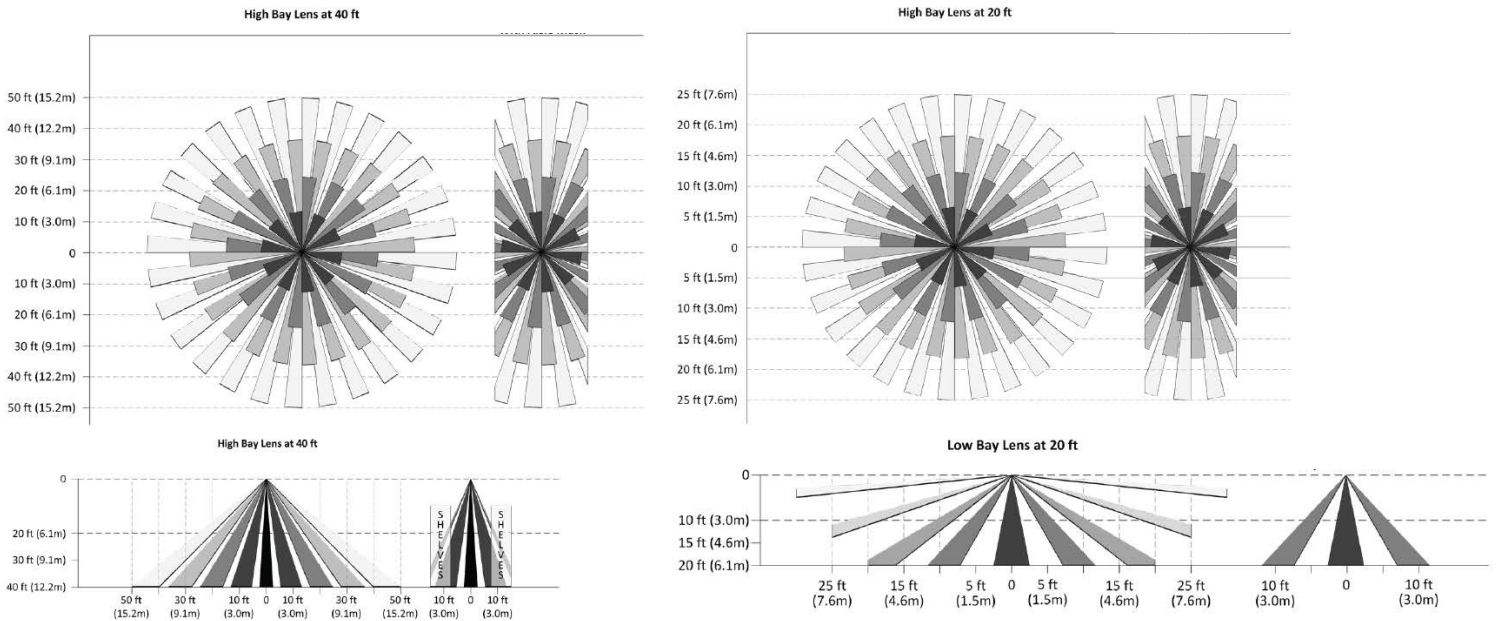
## AREA LIGHT SERIES

### COVERAGE PATTERNS

#### Leviton Low Mount



#### Leviton High Mount



### BACK LIGHT CONTROL OPTIONS



#### HSS

##### Integral House Side Shield

Delivers backlight control that significantly reduces light spill behind the pole for applications with pole locations close to adjacent properties. Shown with Medium housing. HSS rotates with optic distribution.



#### GS

##### External Glare Shield

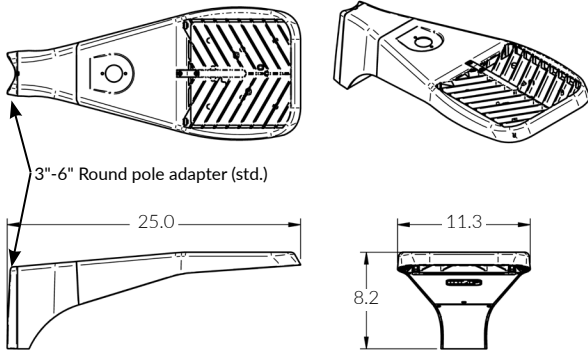
Rotatable 3-sided field installable external glare shield. Shown with Medium housing

# SKYLINE

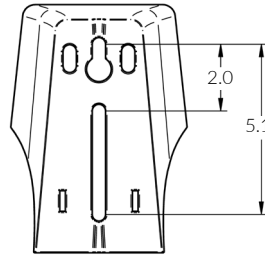
## AREA LIGHT SERIES

### LINE DRAWINGS

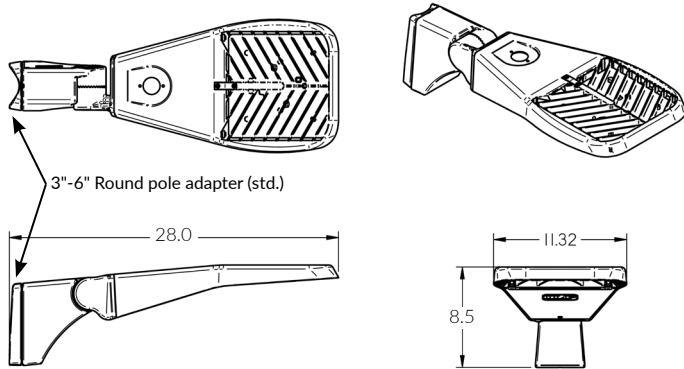
SAS Universal Mounting Bracket (UMB)



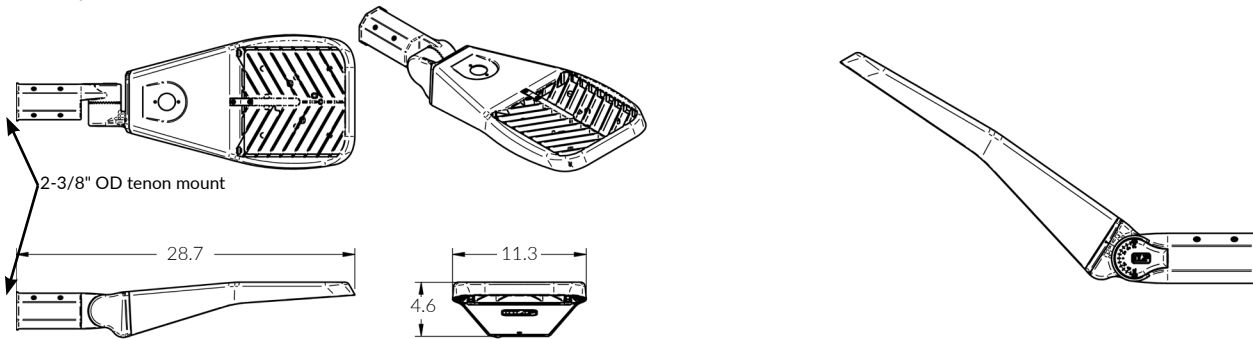
UMB/UAB Mounting Detail



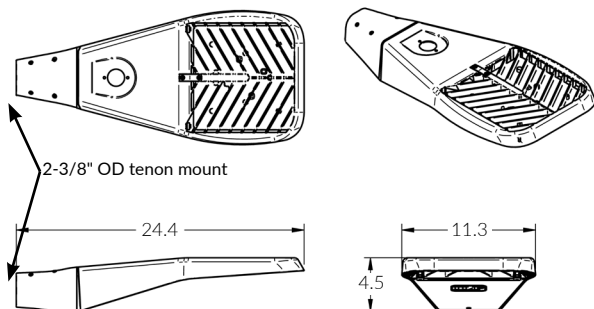
SAS Universal Adjustable Mount Bracket (UAB)



SAS Adjustable Slip Fitter (SLPF)



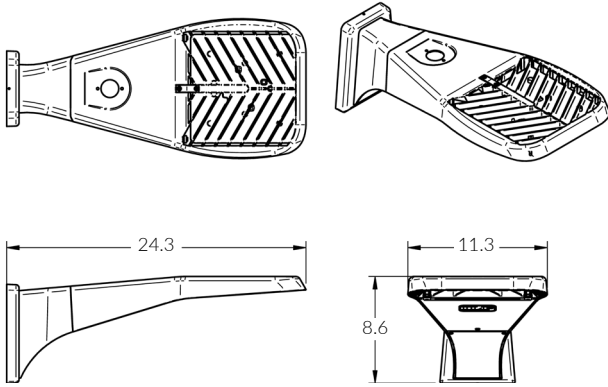
SAS Horizontal Tenon Mount (HTM)



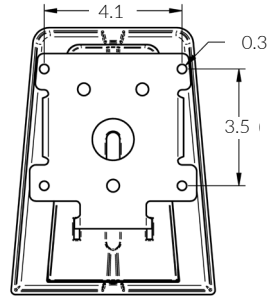
# SKYLINE

## AREA LIGHT SERIES

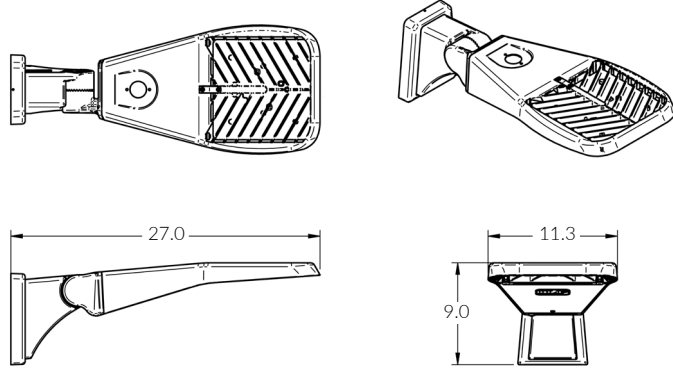
### SAS Wall Fixed Mount (WFM)



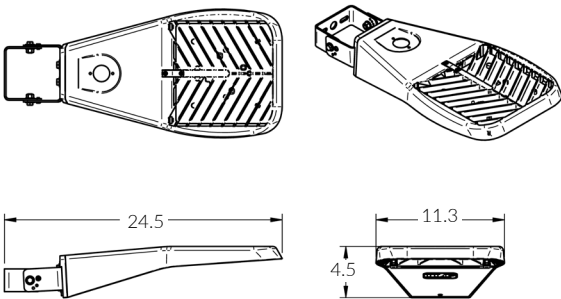
WFM/WAM Mounting Detail



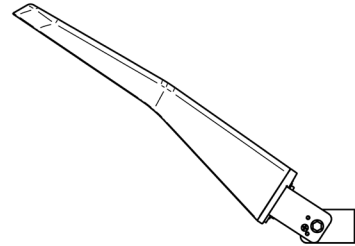
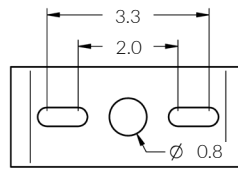
### SAS Wall Adjustable Mount Bracket (WAM)



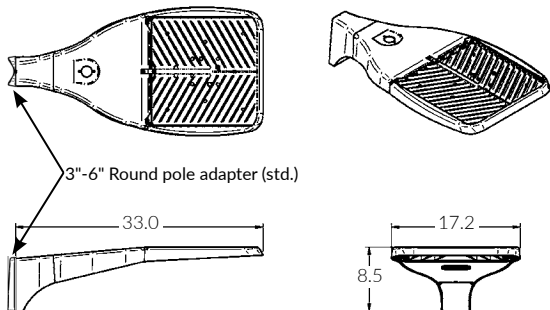
### SAS Trunnion Mount (TRN)



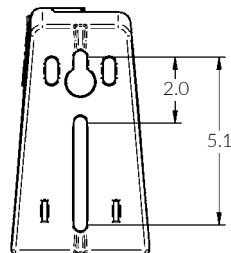
Trunnion Mounting Detail



### SAM Universal Mounting Bracket (UMB)



UMB/UAB Mounting Detail



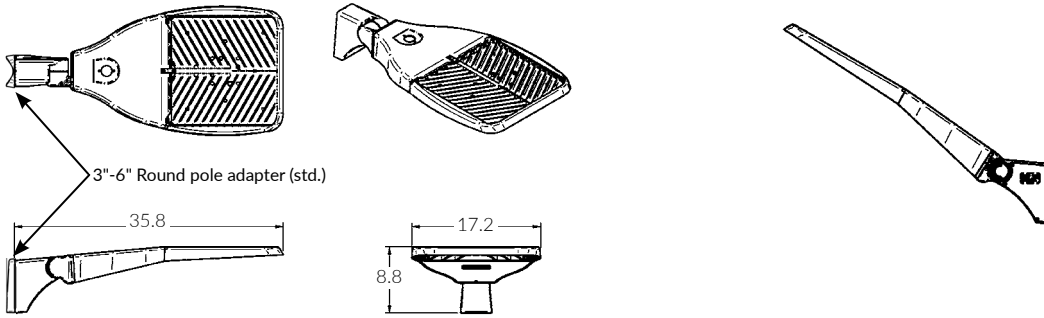


# SKYLINE

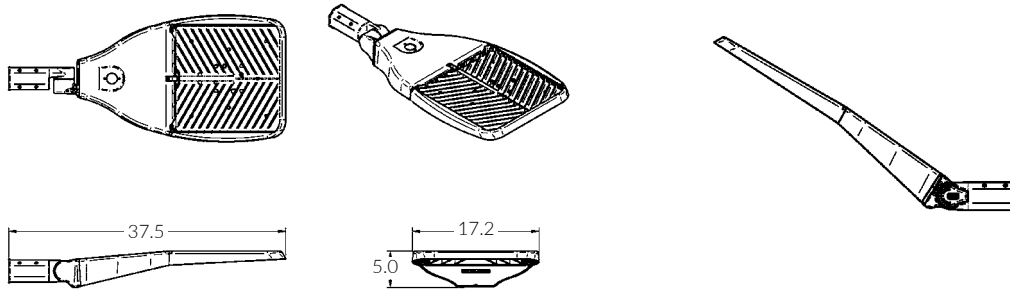
---

## AREA LIGHT SERIES

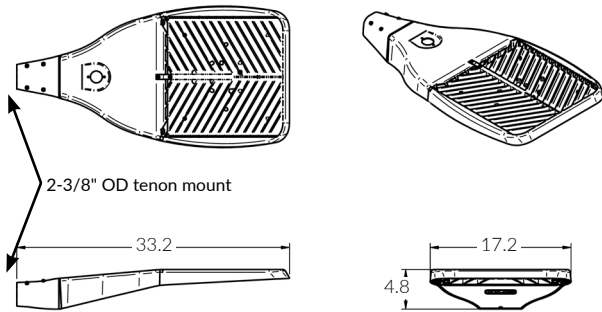
**SAM** Universal Adjustable Mount Bracket (UAB)



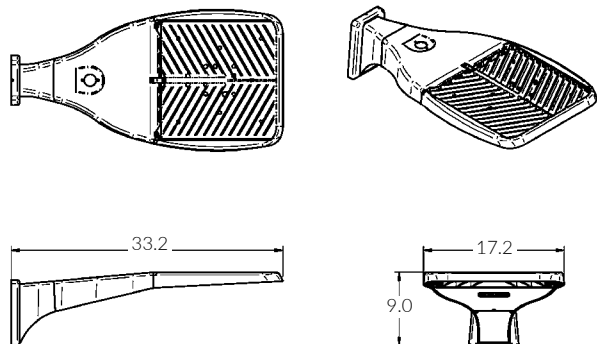
**SAM** Adjustable Slip Fitter (SLPF)



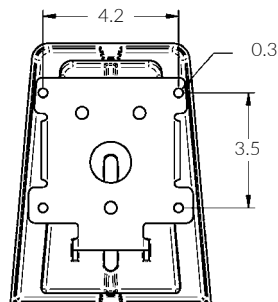
**SAM** Horizontal Tenon Mount (HTM)



**SAM** Wall Fixed Mount (WFM)



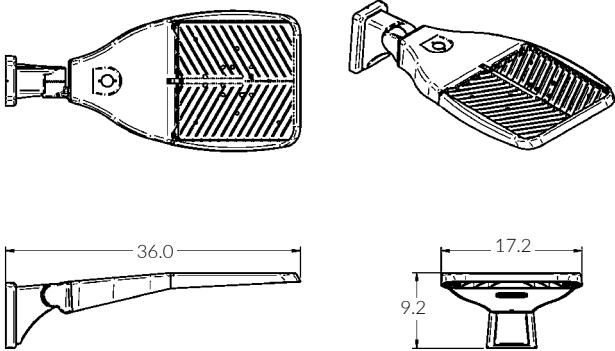
WFM/WAM Mounting Detail



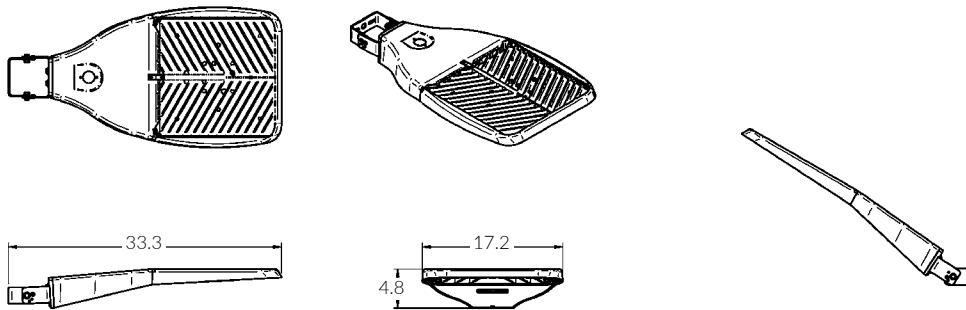
# SKYLINE

## AREA LIGHT SERIES

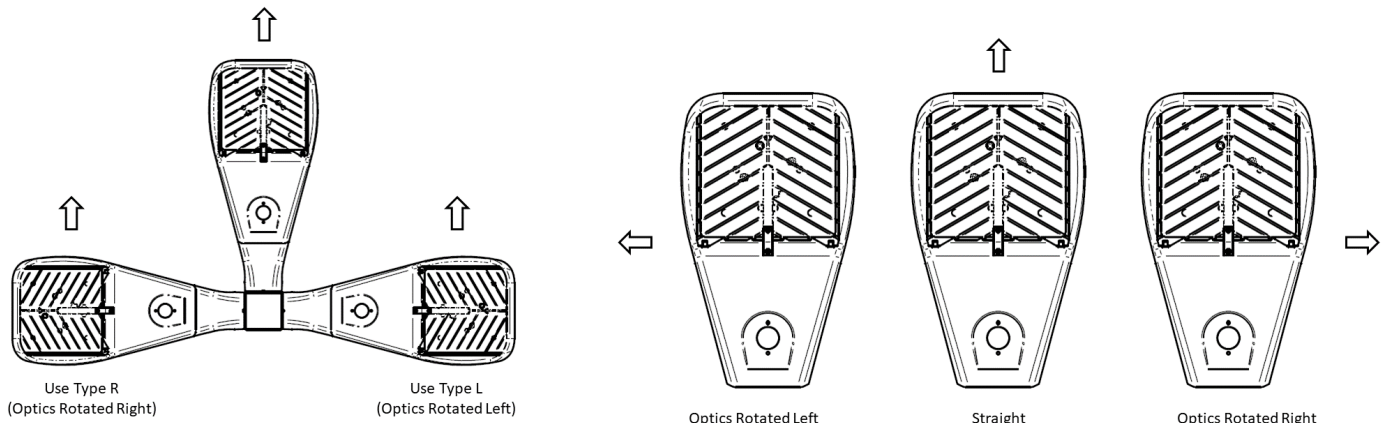
### SAM Wall Adjustable Mount Bracket WAM



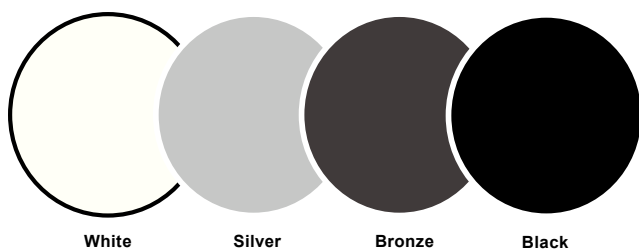
### SAM Trunnion Mount (TRN)



## OPTICS ORIENTATION



## FACTORY SELECT FINISH GUIDE



| COLOR NAME AND DESCRIPTION  |              | PRICING  |
|---|--------------|----------|
| WHT   | - ILP White  | Standard |
| SLV   | - ILP Silver | Standard |
| BRZ   | - ILP Bronze | Standard |
| BLK   | - ILP Black  | Standard |
| <p style="text-align: center;">COLORS SHOWN ABOVE ARE TO BE USED AS REFERENCE, NOT EXACT MATCH.<br/>PLEASE REQUEST PAINT CHIPS FOR EXACT MATCH.</p> |              |          |

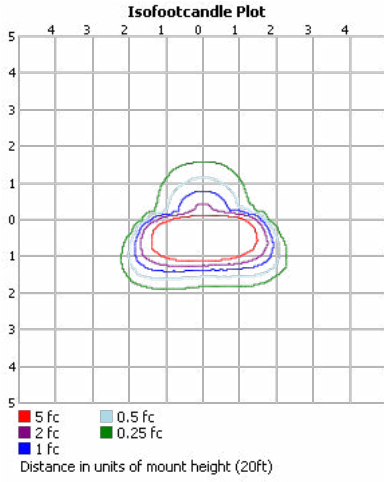
# SKYLINE

## AREA LIGHT SERIES

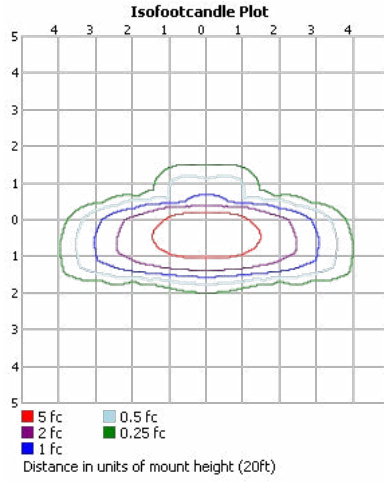
### PHOTOMETRIC REPORTS

Photometric values based upon tests performed in compliance with LM-79. IES files can be downloaded at [www.ilp-inc.com](http://www.ilp-inc.com)

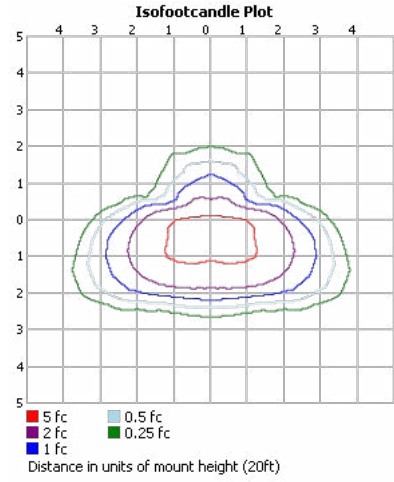
FTA



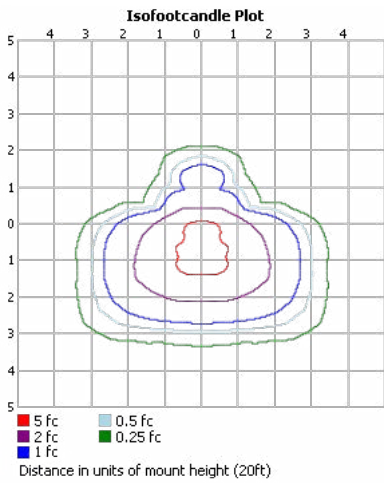
T2



T3



T4



T5S

