

Project Name:	Part Number:	Type:
---------------	--------------	-------



ROUND HIGH BAY



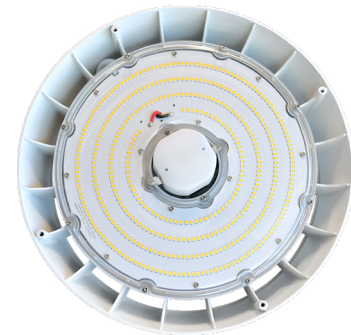
407-478-3759
www.ilp-inc.com

FEATURES

- IP65 Rated & NSF Listed Round High Bay
- 13,000 - 31,000 Lumens
- Powder coated cold-forged aluminum housing
- Remote controlled center mounted sensor option
- IK10 impact rated primary polycarbonate lens
 - Clear (std.)
 - Frosted (optional)
- Optional Diffusers
 - 16" & 22" Frosted Acrylic
 - 14" Aluminum Reflector
- 6ft Cord (std.)
- 12" Safety Cable Provided (std.)
- Mounting Options
 - Cable
 - Hook (std.)
 - Pendant (1/2" threaded hub std.)
 - Surface Mount
- Damp & Wet Location 347/480V & Emergency Options
- 120-277V Universal Voltage
- 0-10V Dimmable Driver (100% - 10%)
- 4000K & 5000K CCT
- >80 Color Rendering Index (CRI)
- Calculated L70 >100,000 hrs
- Ambient Temperature Range -40°F-122°F
- 5 Year Warranty (std); 10 Year Warranty Optional
- UL Listed for Damp and Wet Locations
- DesignLights Consortium® Qualified Luminaire



Shown as 25L-31L with AD22



Shown with Sensor (S) option

SUITABLE APPLICATIONS

- Food Processing
- Warehouses
- Distribution Centers
- Wet Locations
- Gymnasiums
- Manufacturing Plants



ORDERING GUIDE:

SERIES	LUMENS	DRIVER	CCT	PRIMARY LENS	DIFFUSERS	WARRANTY
RB3 Round High Bay	13L	U 120-277V	50	BLANK Clear Lens (included)	BLANK No Reflector/Diffuser (std.)	BLANK 5 Year
	19L		40	FRL Frosted Lens	AD16 ^{1,11} 16" Frosted Acrylic Diffuser	10YR ²¹ 10 Year
	25L				AD22 ¹¹ 22" Frosted Acrylic Diffuser	
	31L				REFL90 ¹¹ 90° Aluminum Reflector	

FACTORY INSTALLED OPTIONS

CORD/6FT/L7-15P ¹⁵	6ft Factory Installed Cord with L7-15 Plug
CORD/10FT ^{2,15}	10ft Factory Installed Cord without plug
CORD/10FT/L7-15P ^{2,15}	10ft Factory Installed Cord with L7-15 Plug
FMB-RB3 ^{3,14,20}	Fixture Mounting Box
LEDBB/D ^{15,18}	25W Battery Backup for Damp Locations
LEDBB/W ^{4,19}	25W Battery Backup for Wet Locations
SD347/D ^{12,13,15,18,20}	347V Step Down Transformer for Damp Locations
SD480/D ^{12,13,15,18,20}	480V Step Down Transformer for Damp Locations
SD347/W ^{4,12,13,19,20}	347V Step Down Transformer for Wet Locations
SD480/W ^{4,12,13,19,20}	480V Step Down Transformer for Wet Locations

CONTROL OPTION

S ^{9,10}	Factory Installed Center Mounted Sensor
-------------------	---

SHIP WITH ACCESSORIES

WC16 ^{5,16}	16" Wire Cage
WC22 ^{5,17}	22" Wire Cage
WC REFL90 14 ^{1,23}	14" Wire Cage for use with REFL90
WC REFL90 18 ^{23,24}	18" Wire Cage for use with REFL90
CL16 ^{5,16}	16" Frosted Conical Bottom Lens
CL22 ^{6,17}	22" Frosted Conical Bottom Lens
HB5	5ft Aircraft Cable Suspension Kit
HB10	10ft Aircraft Cable Suspension Kit
HUB 3/4 ^{7,20}	3/4" Conduit Hub
RED 3/4 ²⁰	3/4" Conduit Reducer
SMB □ ^{7,22}	Surface Mount Bracket
S/RC ⁸	Sensor Remote Control

¹ Only available with RB3-13L & 19L
² Shipped with cord installed on Fixture Mounting Box
³ Requires HUB or HOOK for mounting
⁴ Option maintains IP65 Rating and NSF Listing
⁵ Must be used with AD16
⁶ Must be used with AD22
⁷ Requires Fixture Mounting Box
⁸ One required per project when selecting (S) Sensor option
⁹ Standard Sensor Operations: On/Off, Bi-Level Dimming & Photocell
¹⁰ Requires Sensor Remote Control (S/RC) to program sensor
¹¹ Ship with Accessory
¹² Does not qualify for DLC
¹³ Cannot be used with LEDBB/D option
¹⁴ Must use Fixture Mounting Box if mounting by standard 1/2" conduit hub
¹⁵ Does not maintain IP Rating
¹⁶ CL16 & WC16 cannot be used together
¹⁷ CL22 & WC22 cannot be used together
¹⁸ Must be used w/ FMB if pendant mounting
¹⁹ Must be used w/ SMB or hook mounting
²⁰ Cannot be used with LEDBB/W option
²¹ Contact Factory for more details
²² Cannot be used with FMB options
²³ Long lead time item, please consult factory. Must be used with REFL90.
²⁴ Only available with RB3-25L & 31L



ROUND HIGH BAY



QUICK SHIP ITEMS:

SERIES	LUMENS	DRIVER	CCT	PRIMARY LENS
RB3 Round High Bay	13L 19L 25L 31L	U 120-277V	50 40	BLANK Clear Lens (included)

SHIP WITH DIFFUSERS		SHIP WITH ACCESSORIES	
BLANK	No Reflector/Diffuser (std.)	WC16 ⁵	16" Wire Cage
AD16 ¹¹	16" Frosted Acrylic Diffuser	WC22 ⁵	22" Wire Cage
AD22 ¹¹	22" Frosted Acrylic Diffuser	CL16 ⁵	16" Frosted Conical Bottom Lens
REFL90 ¹¹	90° 14" Aluminum Reflector	CL22 ⁵	22" Frosted Conical Bottom Lens
		HB5	5 ft Aircraft Cable Suspension Kit
		HB10	10 ft Aircraft Cable Suspension Kit

Please reference Page 1 Ordering Guide for all footnote information

LED SYSTEMS INFO

CLEAR LENS	LUMENS	WATTS	EFFICACY	REPLACES	DLC	FROSTED LENS	LUMENS	WATTS	EFFICACY	REPLACES	DLC
RB3-13L-U-50	13,376 lm	98 W	136 lm/W	250W HID	Standard	RB3-13L-U-50-FRL	12,300 lm	98 W	125 lm/W	250W HID	Standard
RB3-19L-U-50	19,886 lm	147 W	135 lm/W	400W HID	Standard	RB3-19L-U-50-FRL	18,768 lm	148 W	127 lm/W	400W HID	Standard
RB3-25L-U-50	26,130 lm	193 W	135 lm/W	400W HID	Standard	RB3-25L-U-50-FRL	26,061 lm	201 W	130 lm/W	400W HID	Standard
RB3-31L-U-50	37,144 lm	237 W	157 lm/W	400-600W HID	Standard	RB3-31L-U-50-FRL	3,0602 lm	236 W	130 lm/W	400-600W HID	Standard

LED System data above was tested at 277V on RB3-13L-U-50, RB3-19L-U-50, RB3-25L-U-50 & RB3-31L-U-50.

LED System data above was tested at 277V on RB3-13L-U-50-FRL, RB3-19L-U-50-FRL, RB3-25L-U-50-FRL & RB3-31L-U-50-FRL.

CLEAR LENS W/ DIFFUSER	LUMENS	WATTS	EFFICACY	REPLACES	DLC	FROSTED LENS W/ DIFFUSER	LUMENS	WATTS	EFFICACY	REPLACES	DLC
RB3-13L-U-50-AD16	12,450 lm	98 W	127 lm/W	250W HID	Standard	RB3-13L-U-50-FRL-AD16	10,996 lm	98 W	112 lm/W	250W HID	Standard
RB3-19L-U-50-AD16	18,211 lm	148 W	123 lm/W	400W HID	Standard	RB3-19L-U-50-FRL-AD16	15,943 lm	148 W	107 lm/W	400W HID	Standard
RB3-13L-U-50-AD22	12,531 lm	98 W	128 lm/W	250W HID	Standard	RB3-13L-U-50-FRL-AD22	11,057 lm	98 W	113 lm/W	250W HID	Standard
RB3-19L-U-50-AD22	18,514 lm	148 W	125 lm/W	400W HID	Standard	RB3-19L-U-50-FRL-AD22	16,045 lm	148 W	108 lm/W	400W HID	Standard
RB3-25L-U-50-AD22	24,911 lm	196 W	127 lm/W	400W HID	Standard	RB3-25L-U-50-FRL-AD22	21,930 lm	196 W	112 lm/W	400W HID	Standard
RB3-31L-U-50-AD22	29,520 lm	231 W	128 lm/W	400-600W HID	Standard	RB3-31L-U-50-FRL-AD22	25,969 lm	230 W	113 lm/W	400-600W HID	Standard
RB3-13L-U-50-REFL90	11,046 lm	98 W	113 lm/W	250W HID	Standard	RB3-13L-U-50-FRL-REFL90	9,705 lm	98 W	99 lm/W	250W HID	Standard
RB3-19L-U-50-REFL90	15,947 lm	148 W	108 lm/W	400W HID	Standard	RB3-19L-U-50-FRL-REFL90	13,862 lm	148 W	93 lm/W	400W HID	Standard
RB3-25L-U-50-REFL90	22,415 lm	196 W	114 lm/W	400W HID	Standard	RB3-25L-U-50-FRL-REFL90	19,655 lm	196 W	100 lm/W	400W HID	Standard
RB3-31L-U-50-REFL90	26,609 lm	231 W	115 lm/W	400-600W HID	Standard	RB3-31L-U-50-FRL-REFL90	23,623 lm	231 W	102 lm/W	400-600W HID	Standard

LED System data above was tested on RB3-13L-U-50-AD16, RB3-19L-U-50-AD16, RB3-25L-U-50-AD16, RB3-31L-U-50-AD16, RB3-13L-U-50-AD22, RB3-19L-U-50-AD22, RB3-25L-U-50-AD22, RB3-31L-U-50-AD22, RB3-13L-U-50-REFL90, RB3-19L-U-50-REFL90, RB3-25L-U-50-REFL90 & RB3-31L-U-50-REFL90.

LED System data above was tested at 277V on RB3-13L-U-50-AD16, RB3-19L-U-50-FRL-AD16, RB3-25L-U-50-FRL-AD16, RB3-31L-U-50-FRL-AD16, RB3-13L-U-50-FRL-AD22, RB3-19L-U-50-FRL-AD22, RB3-25L-U-50-FRL-AD22, RB3-31L-U-50-FRL-AD22, RB3-13L-U-50-FRL-REFL90, RB3-19L-U-50-FRL-REFL90, RB3-25L-U-50-FRL-REFL90 & RB3-31L-U-50-FRL-REFL90.

Lumen Output CCT Multiplier	
CCT	Conversion Multiplier
4000K	0.98
To Calculate: Lumen output in 5000K x CCT Conversion Multiplier = Lumen Output in Alternate CCT's	

ROUND HIGH BAY

SPECIFICATIONS

CONSTRUCTION

Powder coated cold forged aluminum housing provides maximum rigidity and durability for the toughest of applications. Built-in cooling fins for maximum heat dissipation and high ambient temperatures. Standard 1/2" threaded hub for pendant mounting.

ELECTRICAL

High Performance LED light engine for high efficacy & long life. L70 > 100,000 hrs. LED Lumen Maintenance Estimates based on TM-21 projections for the light source at 25°C ambient. Power Factor > 0.90. Standard 120-277 Vac 0-10V dimmable (10%-100%) with optional 347-480 Vac step down transformer. 4kV built in surge protection. 6ft power cord and 6ft cord with dimming leads included. Optional emergency battery backups available to meet critical life safety lighting requirements.

MOUNTING

Options include suspension aircraft cables, hook (std), single pendant (Requires FMB or power cables will run outside pendant conduit), and surface mount (SMB).

WARRANTY

5 Year Warranty Standard; 10 Year Warranty Optional
([Terms and Conditions apply](#)).

OPTICS

Standard with IK10 impact rated primary clear polycarbonate lens. Optional IK10 impact rated primary frosted polycarbonate lens available for added LED glare reduction. Optional 16" & 22" frosted acrylic diffusers & 14" 90° aluminum reflector available. 16" & 22" frosted conical bottom lens options for added diffusion.

THERMAL

Ambient temperature range -40°F to 122°F (-40°C to 50°C).

CONTROLS

Optional center mounted sensor. Provides clean appearance and ensures a balanced fixture. Remote control programmed (S/RC). Sensor operations include: On/Off, Bi-Level Dimming and Photocell.

CERTIFICATIONS

UL listed to US & Canadian safety standards. IP65 rated for wet locations. NSF listed for food processing environments. DLC (DesignLights Consortium) Premium Qualified, with some Standard Qualified configurations. Please refer to the DLC Qualified Products List at www.designlights.org/QPL to confirm specific product qualifications.

CONTROLS OPTIONS

SENSOR



S Factory installed center mounted sensor. Standard sensor operations include: on/off, bi-level dimming and photocell. Requires sensor remote control (S/RC), shown below, to program sensor.

Pre-set Program	
Detection Area:	100%
Hold Time:	5 Seconds
Stand-by Period:	0 Seconds
Stand-by Dim Level:	10%
Daylight Sensor:	Disabled

Button	Remarks
--------	---------

Daylight Sensor
Set daylight threshold
5Lux/15Lux/30Lux/50Lux/100Lux/150Lux/Disable

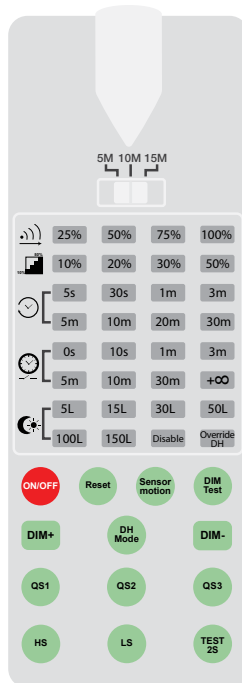
Stand-by Period
Length of time fixture is held at dimmed level before turning off. If set to 'infinite', fixture will operate in high-low operation and not turn off.
0s/30s/1min/3min/5min/10min/20min/30min/∞

Hold Time
Length of time fixture will stay at maximum light level from when motion is detected. 5s/30s/1min/3min/5min/10min/20min/30min

Stand-by Dim Level
Set low mode when no motion in the area
10% / 20% / 30% / 50%

Detection Area
Set detection area
25% / 50% / 75% / 100%

Remote Distance
Set distance between remote and sensor.
5m, 10m, 15m



S/RC

Sensor Remote Control. One needed per project when selecting Sensor (S) option.

Button	Remarks
--------	---------

- Turns fixture 'ON/OFF'
- Brings the sensor back to pre-programmed factory settings
- Sensor moves from 'ON/OFF' operation to setting selected by field user
- Confirms 1-10V dimming is properly set up. Hold button down to dim fixture. Dims back up to full output after 3 seconds.
- Not Applicable
- Not Applicable
- Pre-set 'Quick Selections'

Scene Options	Detection Area	Hold Time	Stand-by Period	Stand-by Dim Level	Daylight Sensor	Sensitivity
QS1	100%	30 Sec	1 Min	10%	5 Lux	Hs
QS2	100%	1 Min	3 Min	10%	10 Lux	Hs
QS3	100%	5 Min	10 Min	10%	30 Lux	Hs

Places fixture to test mode. This function is for testing only. Press 'RESET' to revert to pre-set program.

- Settings:
- Detection Area: 100%
 - Hold Time: 2 seconds
 - Stand-by Dim Level: 10%
 - Daylight Sensor: Disabled

Adjustment based on 'Detection Area' parameter selected by field user.
HS = High Sensitivity to motion
LS = Low Sensitivity to motion

OPTIONS



AD16

16" Frosted Acrylic Diffuser. Only available for RB3-13L & RB3-19L. Ship with accessory.



AD22

22" Frosted Acrylic Diffuser. Ship with accessory.



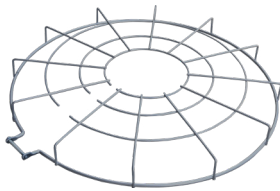
REFL90

90° Aluminum Reflector. RB3-13L & 19L=14", RB3-25L & 31L=18" Ship with accessory.



CL

16" or 22" Frosted Conical Bottom Lens. Must be used with AD16 / AD22 option. Ship with accessory.



WC16 / WC22

16" or 22" Wire Cage. Must be used with AD16 / AD22 option. Ship with accessory.

WC REFL90 14 /18

14" or 18" Wire Cage. Must be used with REFL90 option. Ship with accessory.



SD347/D / SD480/D / LEDBB/D
347V / 480V Step Down Transformer & 25W Battery Backup options for Damp Locations.

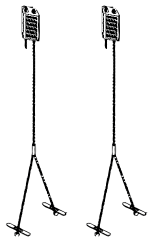


SD347/W / SD480/W / LEDBB/W
347V / 480V Step Down Transformer & 25W Battery Backup options for Wet Locations. Fixture remains IP65 rated & NSF listed.



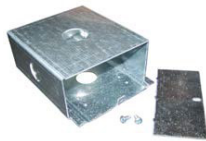
CORDx

Cords available in 6ft, 10ft & 12ft (Inquire for additional options). 6ft white cord included.



HB5 / HB10

5ft or 10ft Aircraft Cable Suspension Kit. Ship with accessory.



FMB

Includes rigid box to attach to the fixture, provides for single point mounting to accept a 3/4" conduit hub (sold separately).



HUB 3/4 CONDUIT

Conduit Hub 3/4" for Pendant Mounting (requires FMB). Ship with accessory.



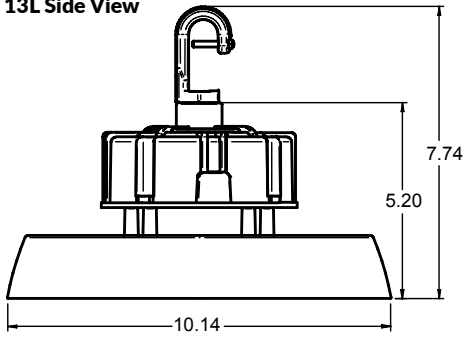
SMB

Surface Mount Bracket. Ship with accessory.

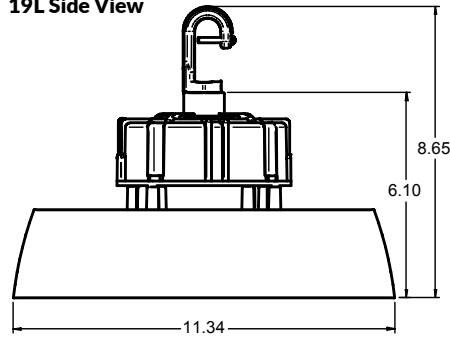
ROUND HIGH BAY

LINE DRAWINGS

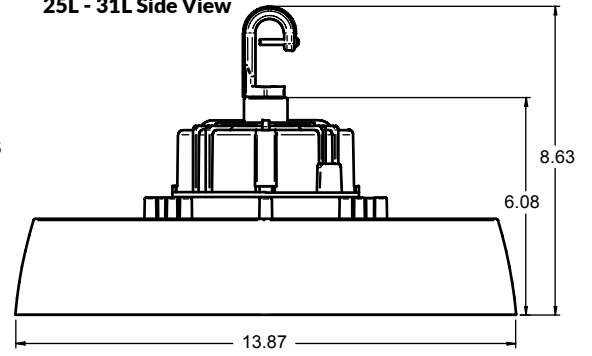
13L Side View



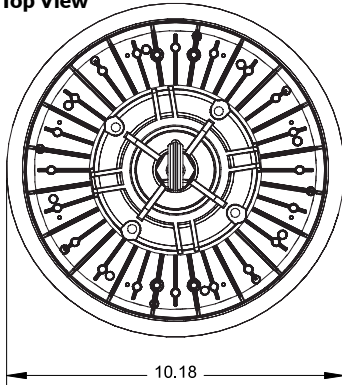
19L Side View



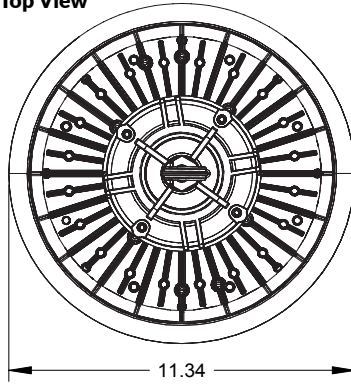
25L - 31L Side View



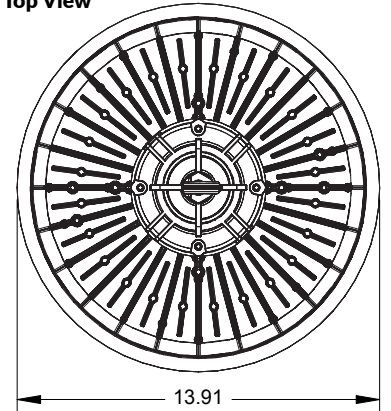
13L Top View



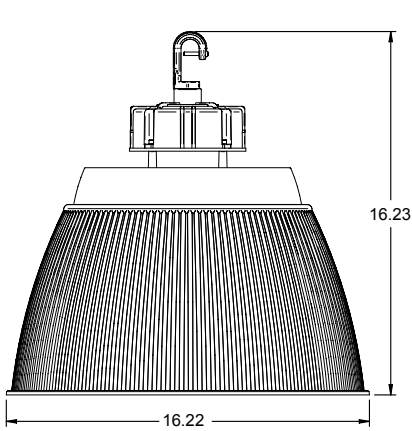
19L Top View



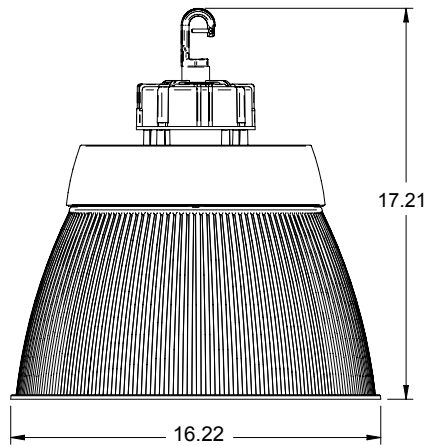
25L - 31L Top View



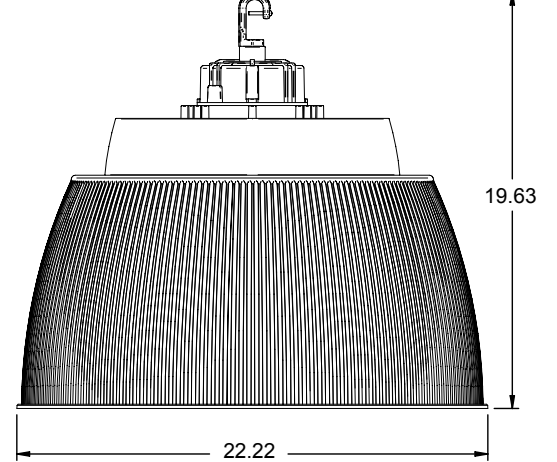
13L with AD16



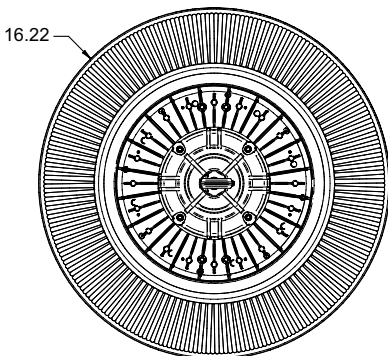
19L with AD16



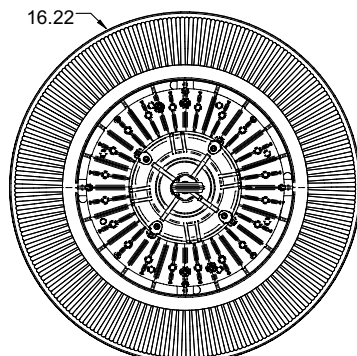
25L - 31L with AD22



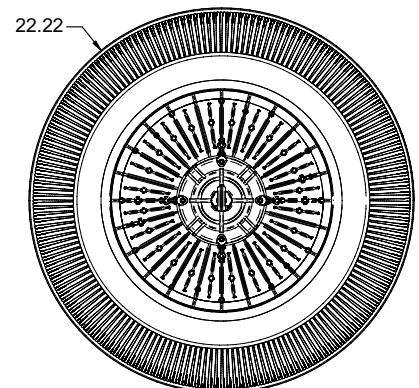
13L Top View with AD16



19L Top View with AD16

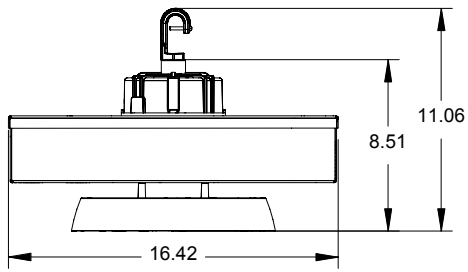


25L - 31L Top View with AD22

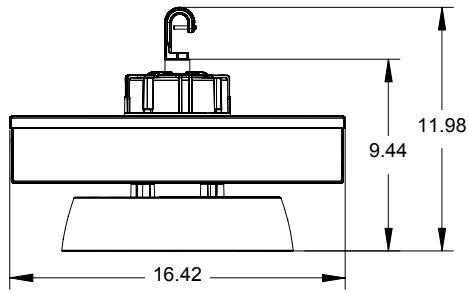


LINE DRAWINGS

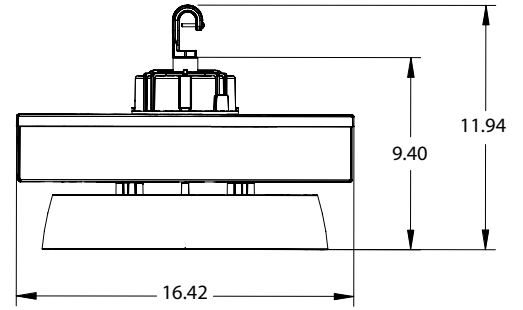
13L with LEDBB / SD347 / SD480



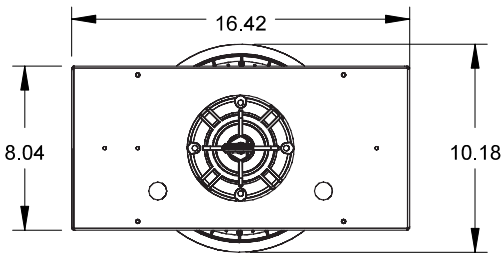
19L with LEDBB / SD347 / SD480



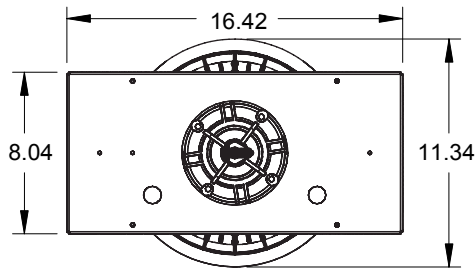
25L & 31L with LEDBB / SD347 / SD480



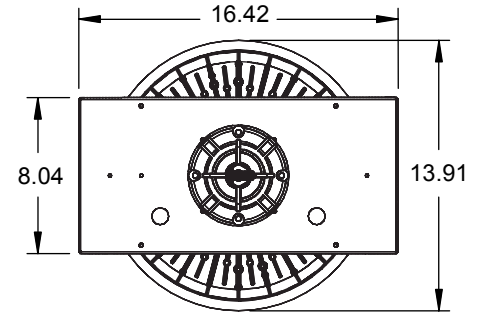
13L Top View with LEDBB / SD347 / SD480



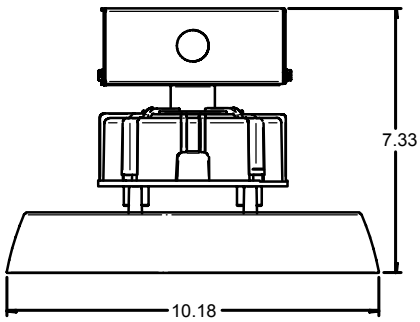
19L Top View with LEDBB / SD347 / SD480



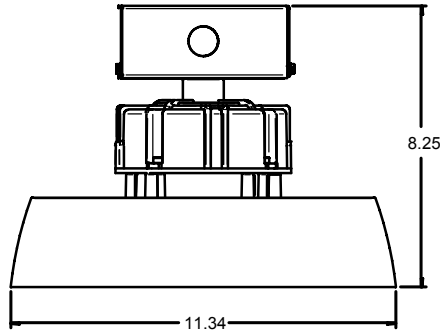
25L & 31L Top View with LEDBB / SD347 / SD480



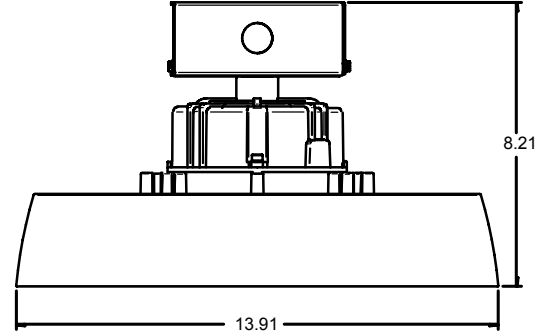
13L with FMB



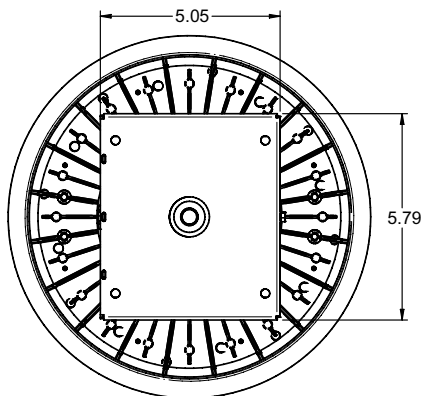
19L with FMB



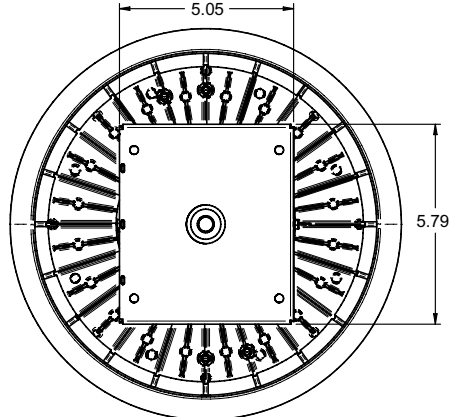
25L - 31L with FMB



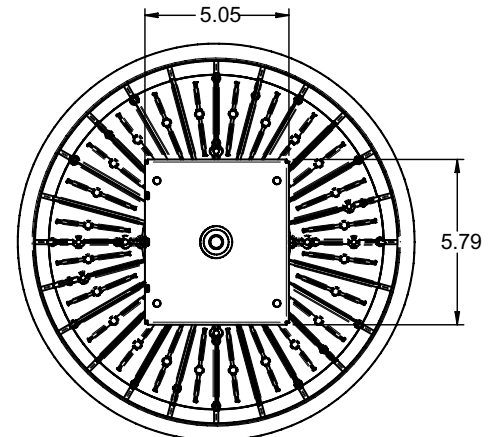
13L with FMB Top View



19L with FMB Top View



25L - 31L with FMB Top View

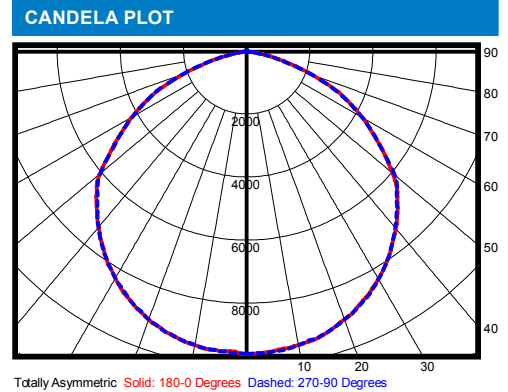


ROUND HIGH BAY

PHOTOMETRIC DATA

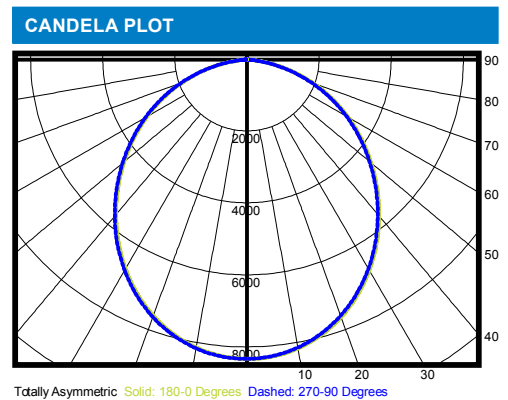
LUMINAIRE DATA	
Part Number	RB3-25L-U-50
Description	RB3, 27000lm, clear polycarbonate lens, wide distribution
Fixture Lumens (lm)	26,130 lm
Wattage (W)	193 W
Efficacy (lm/W)	135 lm/W
Mounting	Recessed
Spacing Criteria	0° = 1.3, 90° = 1.3

ZONAL LUMEN SUMMARY		
Zone	Lumens (lm)	% Fixture
0° - 40°	12,066	46%
0° - 60°	21,572	83%
0° - 90°	26,039	100%
90° - 180°	91	0%
0° - 180°	26,130	100%



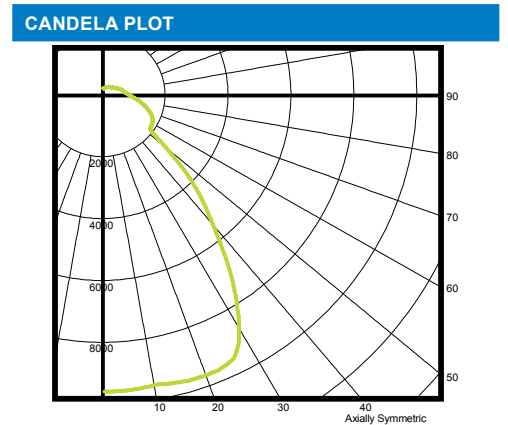
LUMINAIRE DATA	
Part Number	RB3-25L-U-50-FRL
Description	RB3, 22000lm, with frosted acrylic lens, wide distribution
Fixture Lumens (lm)	22,005 lm
Wattage (W)	197 W
Efficacy (lm/W)	111 lm/W
Mounting	Recessed
Spacing Criteria	0° = 1.2, 90° = 1.2

ZONAL LUMEN SUMMARY		
Zone	Lumens (lm)	% Fixture
0° - 40°	10,275	47%
0° - 60°	17,690	80%
0° - 90°	21,946	100%
90° - 180°	58	0%
0° - 180°	22,004	100%



LUMINAIRE DATA	
Part Number	RB3-25L-U-50-AD22
Description	RB3, 24000lm, w/ clear polycarbonate lens & 22" acrylic diffuser
Fixture Lumens (lm)	24,911 lm
Wattage (W)	196 W
Efficacy (lm/W)	127 lm/W
Mounting	Recessed
Spacing Criteria	0° = 1.3, 90° = 1.3

ZONAL LUMEN SUMMARY		
Zone	Lumens (lm)	% Fixture
0° - 40°	12,425	50%
0° - 60°	17,378	70%
0° - 90°	21,744	87%
90° - 180°	3,167	13%
0° - 180°	24,911	100%



LUMINAIRE DATA	
Part Number	RB3-25L-U-50-FRL-AD22
Description	RB3, 21000lm, w/ frosted acrylic lens & 22" acrylic diffuser
Fixture Lumens (lm)	21,930 lm
Wattage (W)	196 W
Efficacy (lm/W)	112 lm/W
Mounting	Recessed
Spacing Criteria	0° = 1.2, 90° = 1.2

ZONAL LUMEN SUMMARY		
Zone	Lumens (lm)	% Fixture
0° - 40°	11,143	51%
0° - 60°	15,347	70%
0° - 90°	19,129	87%
90° - 180°	2,800	13%
0° - 180°	21,930	100%

