

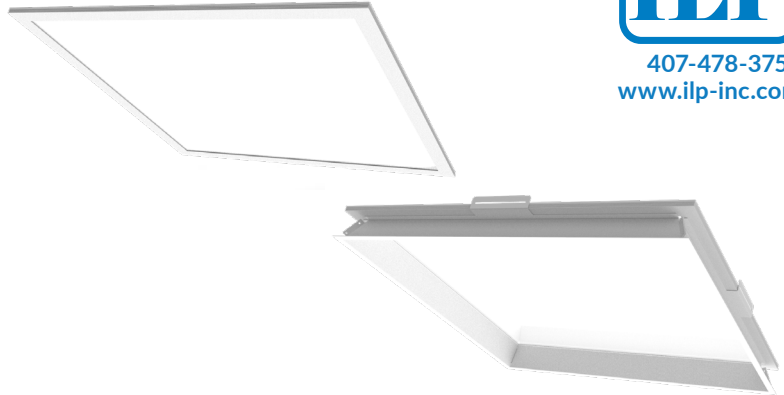
Project Name:	Part Number:	Type:
---------------	--------------	-------

PAN

Edge-Lit Flat Panel

FEATURES

- Slim Low Profile Edge-Lit Design with Seamless Frame
- Aluminum Post Painted Housing
- PMMA LGP Material – Non-Yellowing Lens
- Impact and Scratch Resistant Lens
- NSF Option for Food Prep Applications—Non-Splash Zone
- 1x4, 2x2 & 2x4 sizes
- Recessed, Surface and Skylight Mounting options
- L90=50,000 hours - L80 > 100,000 hours
- 3x Life of Most Competition
- Advanced Controls Options
- 3500K & 4000K CCT
- 0-10V Dimmable Driver (100% - 10%)
- Bi-Level & Line Voltage Dimming Options
- 120-277V Universal Voltage
- IC Rated for Insulated Ceilings
- 7 Year Warranty
- UL Listed for Dry and Damp Location
- DesignLights Consortium® Standard Qualified Luminaire



Shown with Skylight Mount Frame Option



SUITABLE APPLICATIONS

- Education
- Healthcare
- Offices
- Hallway
- Multipurpose Room
- Conference Room
- Food Prep
- Commercial Kitchens

ORDERING GUIDE:

SERIES	WATTS	DRIVER	CCT
PAN14 1x4 Edge-Lit Flat Panel	20WLED 30WLED	U 120-277V	40 35
PAN22 2x2 Edge-Lit Flat Panel	20WLED 30WLED		
PAN24 2x4 Edge-Lit Flat Panel	30WLED 36WLED 50WLED 60WLED		

OPTIONS		CONTROLS	
Factory Installed		Advanced	
NSF	NSF for Food Prep Applications - Non-Splash Zone	SNS200CMP ^{2,3,4,6,8}	EasySense Grouping Ceiling Mount Sensor
SR	Sensor Ready Module	5E/CU/IL ^{6,8}	Enlighted 5E Individual Lighting (IL) Sensor with Control Unit
DR	DALI Ready Module	5E/CU/CL ^{6,8}	Enlighted 5E Connected Lighting (CL) Sensor with Control Unit
LVD120 ^{1,9}	120V Line Voltage Leading Edge Forward Phase Driver	5E/CU/IOT ^{6,8}	Enlighted 5E Internet of Things (IOT) Sensor with Control Unit
BLD ¹	Bi-Level Dimming Module (2 hot leads)	VDO ^{3,6,8}	Lutron Vive DFCSJ-OEM-OCC Daylight & Occupancy Control
SD347 ⁷	347V Step Down Transformer	VRF ^{3,6,8}	Lutron Vive DFCSJ-OEM-RF Radio Frequency Communication Only
WHIP/6FT/3WIRE	6ft MC Cable w/ 3 leads attached to power (non-dimming function)		
WHIP/6FT/4WIRE	6ft 4 Wire MC Cable w/ 3 leads attached to power & 1 lead for battery backup (non-dimming function)		
WHIP/6FT/5WIRE	6ft 5 Wire MC Cable w/ 3 leads attached to power & 2 lead attached to dimming		
WHIP/6FT/6WIRE	6ft 6 Wire MC Cable w/ 3 leads for fixture power & 2 leads for dimming & 1 battery backup		
EM5	5W LED Factory Installed Battery Backup		
EM5/HE	5W LED Factory Installed Battery Backup - CEC Title 20 Compliant		
EM7	7W LED Factory Installed Battery Backup		
EM7/HE	7W LED Factory Installed Battery Backup - CEC Title 20 Compliant		
EM10	10W LED Factory Installed Battery Backup		
EM10/HE	10W LED Factory Installed Battery Backup - CEC Title 20 Compliant		
EM10/HE-SD ¹⁰	10W Factory Installed Self-Diagnosing Battery Backup		
EM12	12W LED Factory Installed Battery Backup		
Ship With Accessories			
FLGK	Flange Kit		
SM ⁸	Surface Mount Kit		
SLM ⁸	Skylight Mount Kit		
ES/PCD ⁵	EasySense Pre-Programmed Control Device		
ES/WWS/DR	EasySense Dual Rocker Wireless Wall Switch		

¹120V applications only

²Can be wired to up to (4) fixtures with SR Option

³Must be used with SR Ready Driver

⁴Must be used with ES/PCD for commissioning

⁵One needed per project

⁶View controls page for more details (page 3)

⁷Does not qualify for DLC

⁸Does not qualify for NSF Listed

⁹Not compatible with Advanced Controls options

¹⁰Operating temp down to 32°F & CEC Title 20 Compliant

PAN

Edge-Lit Flat Panel



QUICK SHIP ITEMS:

SERIES	WATTS	DRIVER	CCT
PAN14 1x4 Edge-Lit Flat Panel	20WLED 30WLED	U 120-277V	40 35
PAN22 2x2 Edge-Lit Flat Panel	20WLED 30WLED		
PAN24 2x4 Edge-Lit Flat Panel	30WLED 36WLED 50WLED 60WLED		

LED SYSTEMS INFORMATION ¹	3500K		4000K		Watts ²	CRI	DLC Listing	Ambient Temp. Range	Replaces
	Part Numbers	Lumens	Efficacy	Lumens					
PAN14-20WLED	2,389 lm	127 lm/W	2,419 lm	128 lm/W	19W	>80	Standard	-4°F - 104°F	2T8
PAN14-30WLED	3,465 lm	124 lm/W	3,512 lm	126 lm/W	28W	>80	Standard	-4°F - 104°F	2T8
PAN22-20WLED	2,336 lm	126 lm/W	2,371 lm	128 lm/W	19W	>80	Standard	-4°F - 104°F	2T8
PAN22-30WLED	3,915 lm	127 lm/W	3,941 lm	127 lm/W	31W	>80	Standard	-4°F - 104°F	3T8
PAN24-30WLED	3,997 lm	126 lm/W	3,999 lm	127 lm/W	32W	>80	Standard	-4°F - 104°F	2T8
PAN24-36WLED	4,519 lm	126 lm/W	4,553 lm	127 lm/W	36W	>80	Standard	-4°F - 104°F	3T8
PAN24-50WLED	6,054 lm	126 lm/W	6,108 lm	126 lm/W	48W	>80	Standard	-4°F - 95°F	4T8
PAN24-60WLED	7,281 lm	131 lm/W	7,514 lm	133 lm/W	56W	>80	Standard	-4°F - 95°F	5T8

¹Values are nominal, see IES file for more detail

²Electrical data at 25C (77F). Actual wattage may differ by +/-10%

SPECIFICATIONS

CONSTRUCTION

Extruded aluminum frame for strength and durability. Matte white finish and seamless frame provides polished appearance while preventing light leak in corners and maximizing optimal performance.

ELECTRICAL

Class 2 LED light engine for high efficacy and long life. Calculated L90 = 50,000 hours with L80 > 100,000 hours. Power Factor > 0.90. Standard 120-277 Vac 0-10V dimmable (10% - 100%). Optional Sensor and DALI ready modules for pairing with controls and integrated controls networks. Optional Bi-level dimming module (50%). Optional 347V.

INSTALLATION

PAN fits into standard 15/16" T-grid systems. Optional Flange Kit (FLGK) for recessed drywall mounting, recessed Skylight Mount (SLM) and Surface Mount (SM) options available. Access plate installed atop of driver for ease of hardwire power connections. Optional factory installed power flex conduit whip (WHIP) available to reduce electrical installation time.

WARRANTY

7 Year Warranty (Terms and Conditions apply)

OPTICS

PMMA light guide plate and lens resists yellowing over the life of the product. Satin white frosted lens with smooth pattern for uniform illumination. Scratch and impact resistant.

CONTROLS

Field installed Advanced sensor options available. Sensor mounts in ceiling tile adjacent to fixture. Inquire with manufacturer for additional controls options, including customer supplied items.

CERTIFICATIONS

UL Listed to US and Canadian safety standards. Suitable for insulation contact with Type IC rated. Suitable for dry and damp locations. NSF option for food prep applications - non-splash zone. Title 24 Compliant with sensor options; see local ordinance for qualification information. DLC (DesignLights Consortium) Premium Qualified. Please refer to the DLC Qualified Products List at www.Designlights.org/QPL to confirm specific product qualifications.

PAN

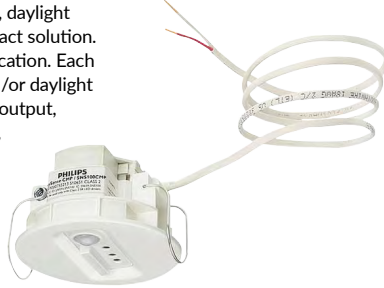
Edge-Lit Flat Panel

ADVANCED CONTROLS OPTIONS

EASYSENSE

SNS200CMP

EasySense sensor combines occupancy sensing, daylight harvesting and institutional tuning in one compact solution. This is an ideal control for any commercial application. Each sensor allows you to turn on/off occupancy and/or daylight harvesting functions as well as set the full light output, background light level, occupancy prolong time, occupancy grace fading time & occupancy time out/hold time. Sensor designed to install in adjacent ceiling tile. Sensor can be wired up to (4) fixtures with Sensor Ready (SR) Module. Requires use of EasySense Pre-Programmed Control Device (ES/PCD), or approved phone from compatibility list; one needed per project.



ES/PCD

Pre-Programmed EasySense Control Device. One needed per project. Sensor can also be programmed with the approved compatible cell phone (listed below).

Compatible Cell Phones:

- LG G4
- Samsung S5
- Samsung Note 4
- Samsung S4 Mini
- Samsung S6
- Samsung Note Edge 1
- Samsung S4

ES/WWS/DR

Optional Wireless / Batteryless Dual Rocker Wall Switch. Up to 100ft range. Functions include: On/Off, dimming and setting of (2) scenes for full room control.

Specifications:

- Wireless
- ZigBee®
- Batteryless
- 30-100ft Range
- Dual Rocker

Functions:

1. On (Hold to brighten up)
2. Off (Hold to dim down)
3. Scene 1
4. Scene 2



ENLIGHTED

5E/CU/IL

Bundled System with Enlighted 5E sensor (SU-5E-IL), Control Unit (CU-4E-FM) and Cable (CBL-5E-CU4-30N). Fixtures are controlled based on occupancy & ambient light. Includes ability to group fixtures together and connect to a switch to zone fixtures for group operation. Provided with factory installed components only. Enlighted system provided by others. Contact factory for more information.



5E/CU/CL

Bundled System with Enlighted 5E sensor (SU-5E-CL), Control Unit (CU-4E-FM) and Cable (CBL-5E-CU4-30N). Fixtures are controlled based on occupancy and ambient light. Includes individual lighting control plus connection to Enlighted Energy Manager. The Energy Manager provides data analysis for all data collected by the Enlighted Smart Sensors for energy, occupancy and environment. Provided with factory installed components only. Enlighted system provided by others. Contact factory for more information. (see image above)

5E/CU/IOT

Bundled System with Enlighted 5E sensor (SU-5E-IOT), Control Unit (CU-4E-FM) and Cable (CBL-5E-CU4-30N). Fixtures are controlled based on occupancy and ambient light. Includes individual lighting control plus connection to Enlighted Energy Manager. Energy Manager provides data analysis for all data collected by Enlighted Smart Sensors for energy, occupancy & environment. Additionally, the IOT functionality takes the data access and function beyond just lighting to a wide range of applications beyond the standard connected lighting controls. Provided with factory installed components only. Enlighted system provided by others. Contact factory for more information. (see image above)

LUTRON

VDO

Vive DFCSJ-OEM-OCC integral fixture control sensor with daylight & occupancy. Vive provides intuitive programming allowing for maximum flexibility with wireless communication & sensing as desired. Provided with factory installed components only. Lutron system provided by others. Sensor must be used in conjunction with Pico Switch/Dimmer. Cannot be used in conjunction with mechanical on/off power switch. Contact factory for more information.



VRF

Vive DFCSJ-OEM-RF integral fixture control with Radio Frequency (RF) communication. Vive provides intuitive programming allowing for maximum flexibility with wireless communication as desired. Providing with factory installed components only. Lutron system provided by others. Sensor must be used in conjunction with Pico Switch/Dimmer. Cannot be used in conjunction with mechanical on/off power switch. Contact factory for more information.

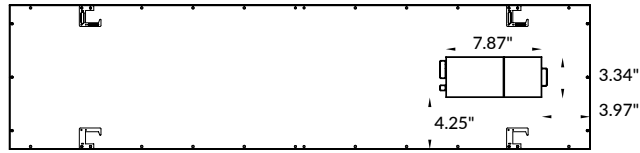
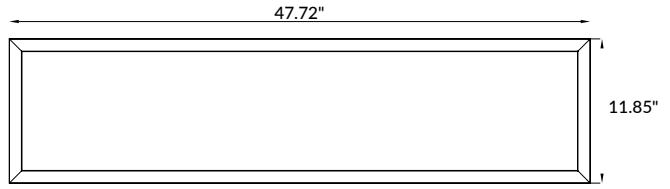


PAN

Edge-Lit Flat Panel

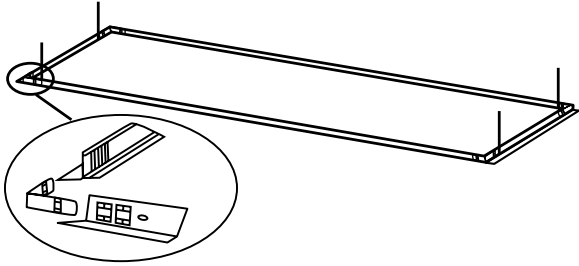
LINE DRAWINGS

1x4 Dimensions

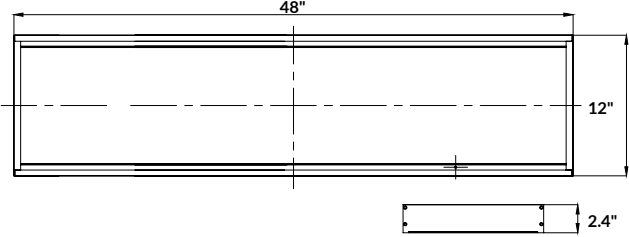


1x4 Flange Kit

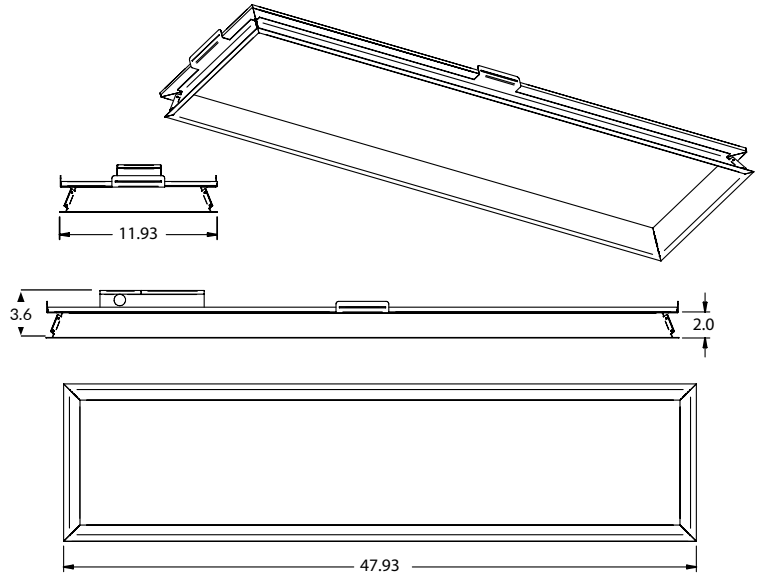
Ceiling opening is 12.25" x 48.25"



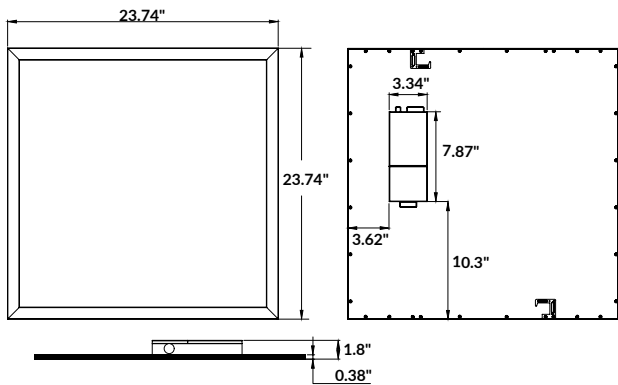
1x4 Surface Mount Dimensions



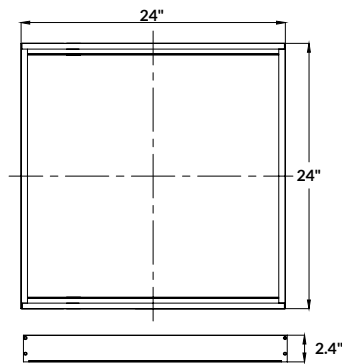
1x4 Skylight Mount Dimensions



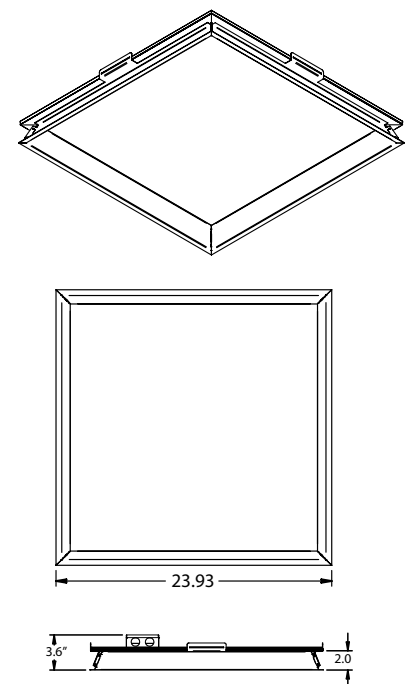
2x2 Dimensions



2x2 Surface Mount Dimensions

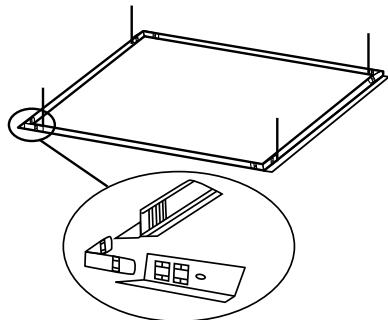


2x2 Skylight Mount Dimensions



2x2 Flange Kit

Ceiling opening is 24.25" x 24.25"

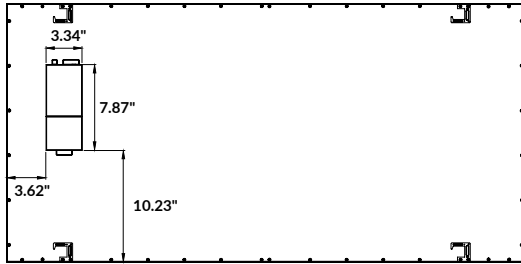
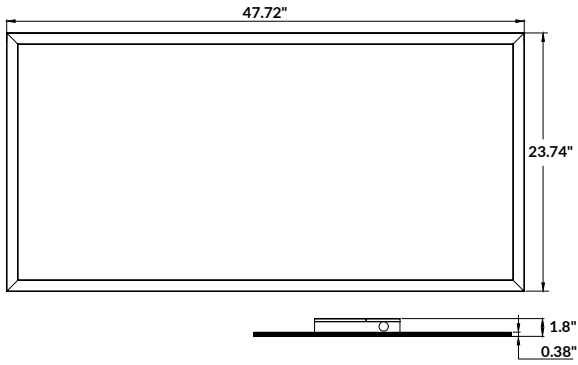


PAN

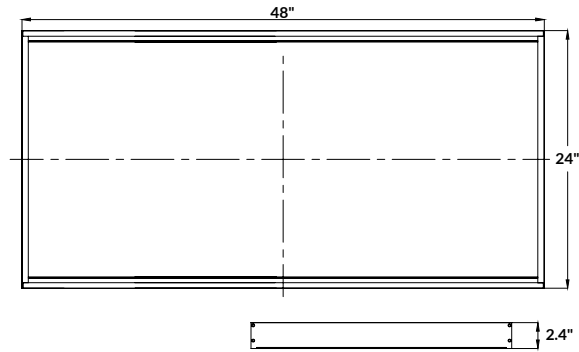
Edge-Lit Flat Panel

LINE DRAWINGS

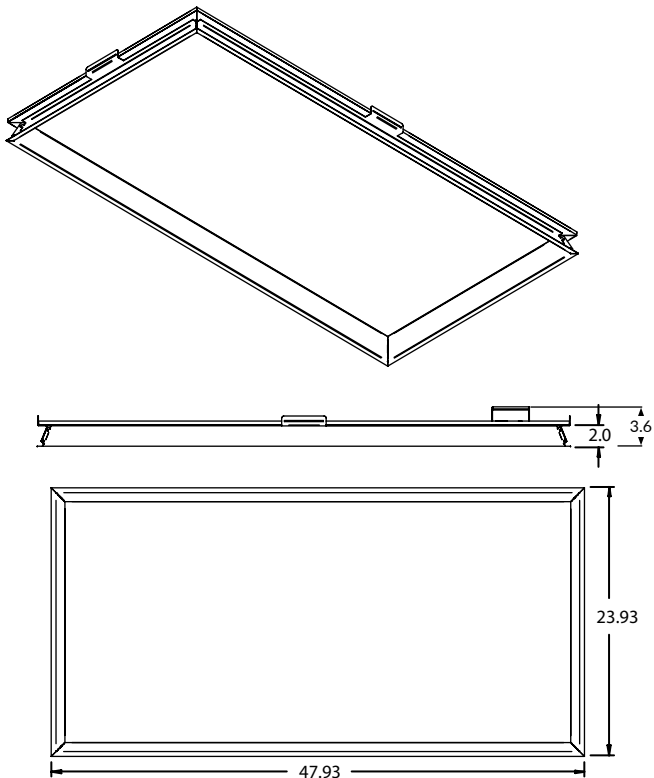
2x4 Dimensions



2x4 Surface Mount Dimensions

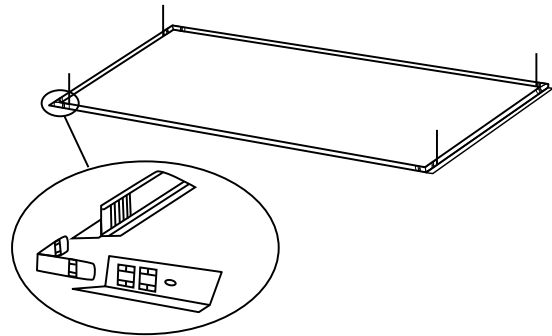


2x4 Skylight Mount Dimensions



2x4 Flange Kit

Ceiling opening is 24.25" x 48.25"



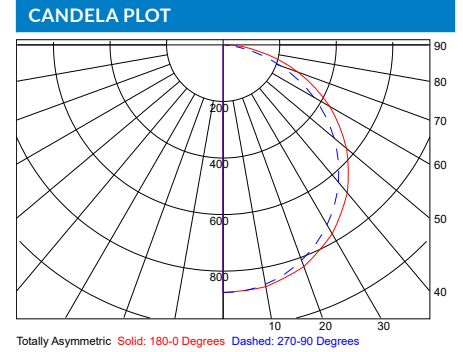
PAN

Edge-Lit Flat Panel

PHOTOMETRIC DATA

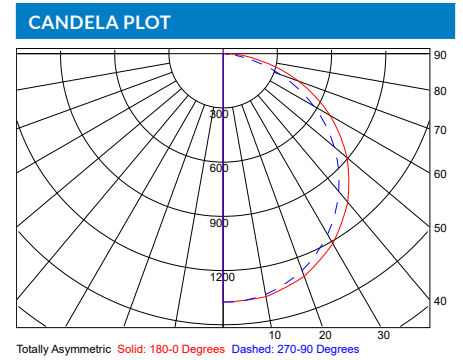
LUMINAIRE DATA	
Part Number	PAN14-20WLED-U-40
Description	Flat 1x4 Panel with a frosted acrylic lens, 2,400 lumens
Fixture Lumens (lm)	2,419 lm
Wattage (W)	19 W
Efficacy (lm/W)	128 lm/W
Mounting	Recessed

ZONAL LUMEN SUMMARY		
Zone	Lumens (lm)	% Fixture
0° - 40°	1,112	45%
0° - 60°	1,968	80%
0° - 90°	2,419	100%
90° - 180°	0	0%
0° - 180°	2,419	100%



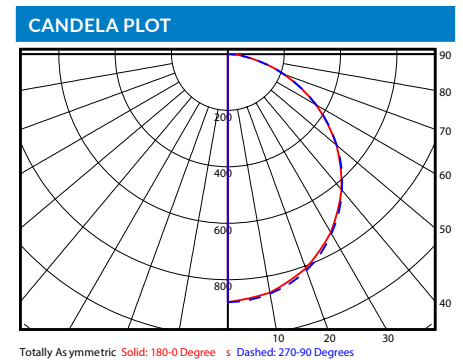
LUMINAIRE DATA	
Part Number	PAN14-30WLED-U-40
Description	Flat 1x4 Panel with a frosted acrylic lens, 3,800 lumens
Fixture Lumens (lm)	3,894 lm
Wattage (W)	31 W
Efficacy (lm/W)	126 lm/W
Mounting	Recessed

ZONAL LUMEN SUMMARY		
Zone	Lumens (lm)	% Fixture
0° - 40°	1,749	45%
0° - 60°	3,094	80%
0° - 90°	3,894	100%
90° - 180°	0	0%
0° - 180°	3,894	100%



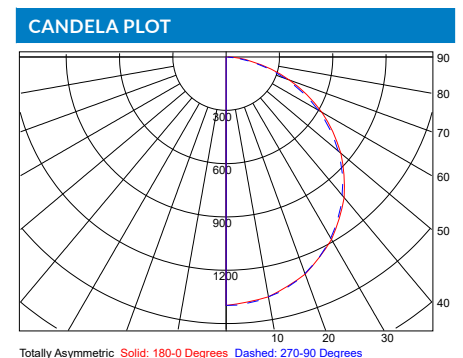
LUMINAIRE DATA	
Part Number	PAN22-20WLED-U-40
Description	Flat 2x2 Panel with a frosted acrylic lens, 2,600 lumens
Fixture Lumens (lm)	2,619 lm
Wattage (W)	21 W
Efficacy (lm/W)	128 lm/W
Mounting	Recessed

ZONAL LUMEN SUMMARY		
Zone	Lumens (lm)	% Fixture
0° - 40°	1,117	45%
0° - 60°	1,968	79%
0° - 90°	2,619	100%
90° - 180°	0	0%
0° - 180°	2,619	100%



LUMINAIRE DATA	
Part Number	PAN22-30WLED-U-40
Description	Flat 2x2 Panel with a frosted acrylic lens, 3,900 lumens
Fixture Lumens (lm)	3,941 lm
Wattage (W)	31 W
Efficacy (lm/W)	127 lm/W
Mounting	Recessed

ZONAL LUMEN SUMMARY		
Zone	Lumens (lm)	% Fixture
0° - 40°	1,777	45%
0° - 60°	3,146	79%
0° - 90°	3,941	100%
90° - 180°	0	0%
0° - 180°	3,941	100%



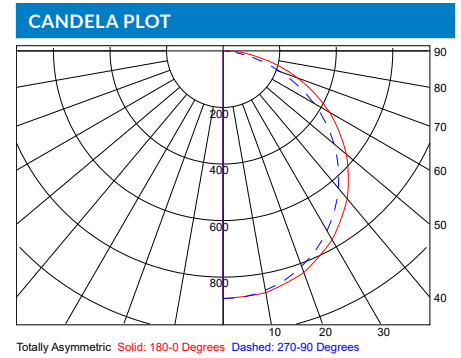
PAN

Edge-Lit Flat Panel

PHOTOMETRIC DATA

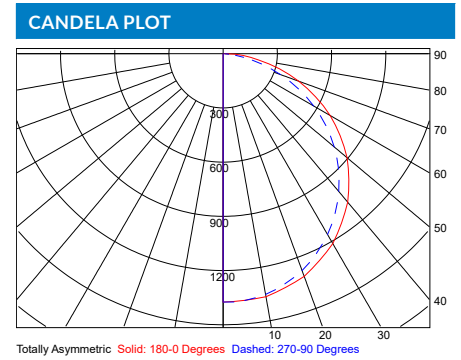
LUMINAIRE DATA	
Part Number	PAN24-30WLED-U-40
Description	Flat 2x4 Panel with a frosted acrylic lens, 4,000 lumens
Fixture Lumens (lm)	3,999 lm
Wattage (W)	32 W
Efficacy (lm/W)	127 lm/W
Mounting	Recessed

ZONAL LUMEN SUMMARY		
Zone	Lumens (lm)	% Fixture
0° - 40°	1,783	45%
0° - 60°	3,167	79%
0° - 90°	3,999	100%
90° - 180°	0	0%
0° - 180°	3,999	100%



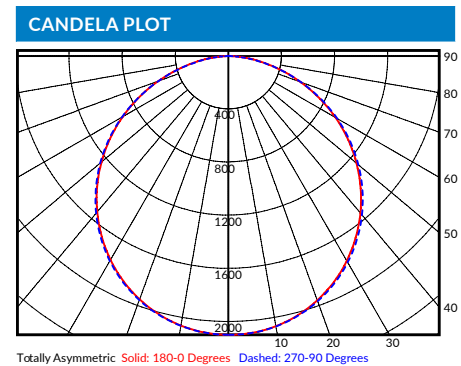
LUMINAIRE DATA	
Part Number	PAN24-36WLED-U-40
Description	Flat 2x4 Panel with a frosted acrylic lens, 4,500 lumens
Fixture Lumens (lm)	4,553 lm
Wattage (W)	36 W
Efficacy (lm/W)	127 lm/W
Mounting	Recessed

ZONAL LUMEN SUMMARY		
Zone	Lumens (lm)	% Fixture
0° - 40°	2,143	44%
0° - 60°	3,808	79%
0° - 90°	4,553	100%
90° - 180°	0	0%
0° - 180°	4,553	100%



LUMINAIRE DATA	
Part Number	PAN24-50WLED-U-40
Description	Flat 2x4 Panel with a frosted acrylic lens, 6,000 lumens
Fixture Lumens (lm)	6,051 lm
Wattage (W)	50 W
Efficacy (lm/W)	126 lm/W
Mounting	Recessed

ZONAL LUMEN SUMMARY		
Zone	Lumens (lm)	% Fixture
0° - 40°	2,684	44%
0° - 60°	4,758	79%
0° - 90°	6,051	100%
90° - 180°	0	0%
0° - 180°	6,051	100%



LUMINAIRE DATA	
Part Number	PAN24-60WLED-U-40
Description	Flat 2x4 Panel with a frosted acrylic lens, 7,500 lumens
Fixture Lumens (lm)	7,491 lm
Wattage (W)	60 W
Efficacy (lm/W)	132 lm/W
Mounting	Recessed

ZONAL LUMEN SUMMARY		
Zone	Lumens (lm)	% Fixture
0° - 40°	3,227	44%
0° - 60°	5,723	79%
0° - 90°	7,491	100%
90° - 180°	0	0%
0° - 180°	7,491	100%

