

Project Name:	Part Number:	Type:
---------------	--------------	-------



# OW SERIES WALL PACK - OWS

## LED WALL PACK



407-478-3759  
www.ilp-inc.com

Product Overview



SCAN ME



### FEATURES

- Rugged die-cast aluminum housing
- Bronze polyester powder coat finish
- Custom and factory select colors available<sup>1</sup>
- Non-Cutoff Type IV Distribution
- Isolated optical compartment with tempered prismatic glass lens and silicone gaskets
- 3000K, 4000K & 5000K CCT Selectable via Integral selector
- Embedded Electronic Photocell (std.)
- 120-277V Universal Voltage or 277V-480V High Voltage
- 0-10V Dimmable Driver (std.)
- 2.5kV Surge protection 120-277V (std.)
- Calculated L70 >100,000 hrs @ 25°C per TM-21-11
- >70 Color Rendering Index (CRI)
- IP65 Rated Luminaire
- 5 Year Warranty (std); 10 Year Warranty Optional
- ETL Listed for Wet Locations<sup>1</sup>

<sup>1</sup>Contact factory for pricing and availability



### SUITABLE APPLICATIONS

- Pedestrian Walkways
- Building Entrances
- Multi-use Facilities
- Industrial Facilities
- Parking Lots
- Storage Facilities
- Institutions
- Schools
- Loading Docks

### ORDERING GUIDE:

SERIES	LUMENS	DRIVER	CCT	FINISH
OWS	1L/2L/4L 1L - 1,500lm 2L - 2,500lm 4L - 4,000lm	U 120-277V	CCTS Selectable CCT (5000K, 4000K, 3000K)	BRZ Bronze



### QUICK SHIP ITEMS:

SERIES	LUMENS	DRIVER	COLOR	FINISH
OWS Open Face Wall Pack - Small	1L/2L/4L	U 120-277V	CCTS Selectable CCT (5000K, 4000K, 3000K)	BRZ Bronze

LED SYSTEMS INFO <sup>1,3</sup>	3000K			4000K			5000K			Watts <sup>2</sup>	Replaces
	Part Numbers	Lumens	Efficacy	Bug Rating	Lumens	Efficacy	Bug Rating	Lumens	Efficacy		
OWS-1L/2L/4L-U-CCTS	3885 lm	131 lm/W	B1-U3-G2	4018 lm	138 lm/W	B1-U3-G2	3961 lm	133 lm/W	B1-U3-G2	30 W	100W MH
OWS-1L-U-CCTS	1249 lm	134 lm/W	B1-U3-G2	1274 lm	137 lm/W	B1-U3-G2	1287 lm	136 lm/W	B1-U3-G2	9 W	25W MH
OWS-2L-U-CCTS	2630 lm	135 lm/W	B1-U3-G2	2704 lm	141 lm/W	B1-U3-G2	2696 lm	137 lm/W	B1-U3-G2	20 W	50W MH
OWS-4L-U-CCTS	3885 lm	131 lm/W	B1-U3-G2	4018 lm	138 lm/W	B1-U3-G2	3961 lm	133 lm/W	B1-U3-G2	30 W	100W MH

<sup>1</sup>LED Chips are frequently updated therefore values are nominal

<sup>2</sup>Electrical data at 25C (77F). Actual wattage may differ by +/-10%.

<sup>3</sup>Predictive Data, Subject to change per compliance testing completion



# OW SERIES WALL PACK - OWS

## LED WALL PACK

### ELECTRICAL DATA (AMPS)

Lumen Package	Wattage	120V	208V	240V	277V	357V	480V
1L	9,291 W	0.08	0.04	0.04	0.03	0.03	0.02
2L	19,190 W	0.16	0.09	0.08	0.07	0.05	0.04
3L	27,320 W	0.24	0.14	0.12	0.11	0.08	0.06
4L	29,160 W	0.23	0.13	0.11	0.10	0.08	0.06
5L	38,760 W	0.32	0.19	0.16	0.14	0.11	0.08
5L	36,790 W	0.31	0.18	0.15	0.13	0.10	0.08
8L	54,770 W	0.46	0.26	0.23	0.20	0.15	0.11
10L	79,560 W	0.66	0.38	0.33	0.29	0.22	0.17
10L	77,850 W	0.65	0.37	0.32	0.28	0.22	0.16
13L	98,000 W	0.82	0.47	0.41	0.35	0.27	0.20
16L	117,370 W	0.98	0.56	0.49	0.42	0.33	0.24

\* Electrical data at 25C (77F). Actual wattage may differ by +/-10%. <sup>2</sup>Predictive Data, Subject to change per compliance testing completion

### SPECIFICATIONS

#### CONSTRUCTION

The OW Series Wall Packs feature a rugged die-cast aluminum housing and is fully gasketed to create an IP65 rating for whole luminaire ingress protection against moisture and environmental contaminants. The OW Series is protected with a durable bronze polyester powder coat finish to withstand extreme weather changes without cracking or peeling (Consult factory for availability of alternate finishes). Salt Spray tested for 500 hrs.

#### ELECTRICAL

Class 1 High-performance drivers features over-voltage, under-voltage, short circuit and over temperature protection. 0-10V dimming (10% - 100%) standard. Standard Universal Voltage (120-277 Vac) Input 50/60 Hz. L70 >100,000 hrs. in accordance with IESNA TM-21-19 projected values at 25°C Ambient temperature. Total harmonic distortion: <20%. Power factor: >0.90. Input power stays constant over life. Minimum 2.5kV surge rating.

#### INSTALLATION

The OW Series Wall Pack is designed for effortless installation to standard 3 1/2" to 4" round/octagonal, 4" square, single gang, masonry junction boxes. 1/2" NPT conduit entry points allow for surface-conduit or thru-branch wiring. Back box is an authorized electrical wiring compartment. Integral CCT selector allows for CCT tuning at time of installation.

#### OPTICS

The isolated IP65 rated silicone gasket sealed optical chamber utilizes a prismatic polycarbonate lens to provide exceptional coverage in a T4 forward throw distribution. CCT selectable via an integral CCT selector switch (3000K, 4000K, & 5000K). Minimum CRI of 70.

#### THERMAL

The OW Series features an array of High-efficacy mid-power LED's mounted on a metal core circuit board. The LED boards are mounted directly to the cast aluminum housing with heat dissipating fins to provide excellent thermal performance extending the life of electronic components. Operating Ambient Temperature: -40°C to +45°C (-40°F to 113°F).

#### CONTROLS

Ships standard with electronic embedded photocell

#### CERTIFICATIONS

ETL Listed for wet locations. Tested in accordance with IESNA LM-79 and LM-80 standards. RoHS Compliant. IP65 rated Luminaire per IEC.

#### WARRANTY

5 Year Warranty Standard; 10 Year Warranty Optional ([Terms and Conditions apply](#)).

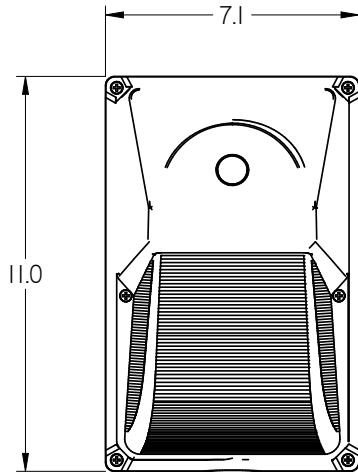
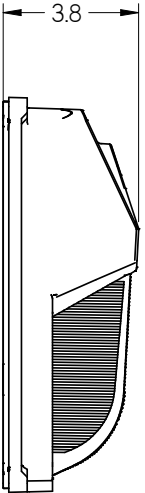
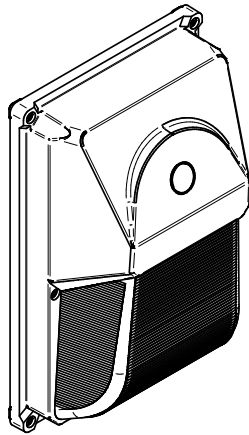
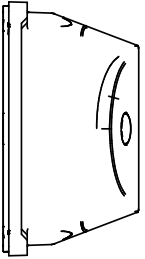


# OW SERIES WALL PACK - OWS

## LED WALL PACK

### LINE DRAWINGS

#### OWS





# OW SERIES WALL PACK - OWS

## LED WALL PACK

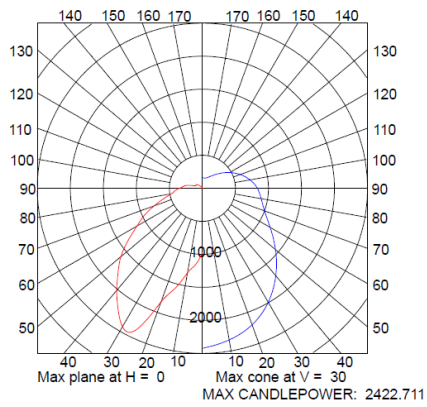
### PHOTOMETRIC DATA

#### OWS-1L2L4L-U-CCTs-BRZ

##### SUMMARY DATA

HEMISPHERES TESTED:	BOTH
EFFICIENCY (Total):	100%
EFFICIENCY (Down / Up):	92.6 % / 7.4 %
EFFICIENCY (Street / House):	81.9% / 18.1%
ROADWAY CLASSIFICATION:	TYPE II, VERY SHORT
CUTOFF CLASSIFICATION:	NONCUTOFF
LUMENS/LAMPS:	3801.141
NO. OF LAMPS:	1
Width:	0.00 (Meters)
Length:	0.00
Height:	0.00
INPUT WATTS:	29.213

##### CANDELA PLOT



Photometric values based upon tests performed in compliance w/ LM-79. Download IES files at [www.ilp-inc.com](http://www.ilp-inc.com)