

Project Name:	Part Number:	Type:
---------------	--------------	-------



# OPEN FACE WALL PACK - OWM/OWL

## LED WALL PACK



407-478-3759  
www.ilp-inc.com

### FEATURES

- Rugged die-cast aluminum housing
- Bronze polyester powder coat finish
- Custom and factory select colors available<sup>1</sup>
- Non-Cutoff Type IV Distribution
- Optional Hood for semi-cutoff Type IV distribution
- Isolated optical compartment with tempered prismatic glass lens and silicone gaskets
- 3000K, 4000K & 5000K CCT Selectable via Integral selector
- Three ½" coin plugs on sides for conduit or electronic photocell
- 120-277V Universal Voltage or 277V-480V High Voltage
- 0-10V Dimmable Driver (std.)
- Battery backup & cold weather battery options available
- 6kV Surge protection 120-277V (std.)
- Calculated L70 >100,000 hrs @ 25°C per TM-21-11
- >70 Color Rendering Index (CRI)
- IP65 Rated Luminaire
- 5 Year Warranty (std); 10 Year Warranty Optional
- ETL Listed for Wet Locations<sup>1</sup>

<sup>1</sup>Contact factory for pricing and availability



Product Overview



SCAN ME



### SUITABLE APPLICATIONS

- Pedestrian Walkways
- Building Entrances
- Multi-use Facilities
- Industrial Facilities
- Parking Lots
- Storage Facilities
- Institutions
- Schools
- Loading Docks

### ORDERING GUIDE:

SERIES	LUMENS	DRIVER	CCT	FINISH	WARRANTY
OWM	3L/5L	U 120-277V	CCTS Selectable CCT	BRZ Bronze	5 Year Blank
	3L			BLK <sup>4</sup> Black	10 Year <sup>1</sup> 10YR
	5L	HV 347-480V	(5000K, 4000K, 3000K)		
OWL	5L/8L/10L				
	5L			SLV <sup>4</sup> Silver	
	8L				
	10L				
	10L/13L/16L				
	13L				
	16L				

OPTIONS		CONTROLS	
Factory Installed		Basic - Ship with Accessories	
SP1 <sup>2,3</sup>	10KA Max 120-277V Surge Protector	PCU <sup>3</sup>	Electronic UNIV Photocell (120-277V)
SP2 <sup>2,3</sup>	22KA Max 120-277V Surge Protector		
SP480V2	20kA Max 480V Surge Protector		
FUSE/SXXX	Fuse - Single-line Voltage (120, 277 or 347)		
FUSE/DXXX	Fuse - Dual-line Voltage (208V, 240V or 480V)		
EM5 <sup>2,3</sup>	5W 120-277V Battery backup (32°F)		
EM10 <sup>2,3</sup>	10W 120-277V High Efficacy CEC Title 20 Battery Backup (32°F)		
EMCT10 <sup>2,3</sup>	10W UNIV CT Battery backup (-4°F)		
Ship with Accessories			
HD/xxx	Hood/Glare Shield (xxx=OWM or OWL)		

<sup>1</sup> Requires additional surge protection (SP1, SP2, SP480V2); For additional details see general terms and conditions

<sup>2</sup> SP1/SP2 specified in combination with Battery Backups, separate surge protectors are required per electrical line

<sup>3</sup> Not Available with HV Drivers

<sup>4</sup> Contact factory for pricing and availability



# OPEN FACE WALL PACK - OWM/OWL

## LED WALL PACK



### QUICK SHIP ITEMS:

SERIES	LUMENS	DRIVER	COLOR	FINISH
<b>OWM</b> Open Face Wall Pack - Med	3L/5L	U 120-277V	CCTS Selectable CCT (5000K, 4000K, 3000K)	BRZ Bronze
<b>OWL</b> Open Face Wall Pack - Lg	5L/8L/10L 10L/13L/16L			

CONTROLS
Basic - Ship with Accessories
PCU Electronic UNIV Photocell (120-277V)

LED SYSTEMS INFO <sup>1,3</sup>	3000K			4000K			5000K			Watts <sup>2</sup>	Replaces
	Part Numbers	Lumens	Efficacy	Bug Rating	Lumens	Efficacy	Bug Rating	Lumens	Efficacy		
OWM-3L/5L-U-CCTS	5202 lm	131 lm/W	B1-U3-G3	5294 lm	137 lm/W	B1-U3-G3	5237 lm	135 lm/W	B1-U3-G3	40 W	175W MH
OWM-3L-U-CCTS	3678 lm	132 lm/W	B1-U3-G2	3720 lm	136 lm/W	B1-U3-G2	3727 lm	132 lm/W	B1-U3-G2	28 W	75W MH
OWM-5L-U-CCTS	5202 lm	131 lm/W	B1-U3-G3	5294 lm	137 lm/W	B1-U3-G3	5237 lm	135 lm/W	B1-U3-G3	40 W	175W MH
OWL-5L/8L/10L-U-CCTS	10536 lm	131 lm/W	B2-U4-G4	10915 lm	137 lm/W	B2-U4-G4	10676 lm	134 lm/W	B2-U4-G4	80 W	320W MH
OWL-5L-U-CCTS	5320 lm	143 lm/W	B1-U3-G3	5442 lm	148 lm/W	B1-U3-G3	5500 lm	146 lm/W	B1-U3-G3	38 W	175W MH
OWL-8L-U-CCTS	7827 lm	140 lm/W	B2-U3-G3	8018 lm	146 lm/W	B2-U3-G3	8012 lm	141 lm/W	B2-U3-G3	57 W	250W MH
OWL-10L-U-CCTS	10536 lm	131 lm/W	B2-U4-G4	10915 lm	137 lm/W	B2-U4-G4	10676 lm	134 lm/W	B2-U4-G4	80 W	320W MH
OWL-10L/13L/16L-U-CCTS	15653 lm	132 lm/W	B3-U4-G5	16033 lm	137 lm/W	B3-U4-G5	15881 lm	134 lm/W	B3-U4-G5	119 W	400W MH
OWL-10L-U-CCTS	11282 lm	142 lm/W	B2-U4-G4	11428 lm	147 lm/W	B2-U4-G4	11538 lm	143 lm/W	B2-U4-G4	81 W	320W MH
OWL-13L-U-CCTS	13805 lm	138 lm/W	B3-U4-G5	14090 lm	144 lm/W	B3-U4-G5	14058 lm	138 lm/W	B3-U4-G5	102 W	360W MH
OWL-16L-U-CCTS	15653 lm	132 lm/W	B3-U4-G5	16033 lm	137 lm/W	B3-U4-G5	15881 lm	134 lm/W	B3-U4-G5	119 W	400W MH

<sup>1</sup>LED Chips are frequently updated therefore values are nominal  
<sup>2</sup>Electrical data at 25C (77F). Actual wattage may differ by +/-10%.  
<sup>3</sup>Predictive Data. Subject to change per compliance testing completion

### ELECTRICAL DATA (AMPS)

Lumen Package	Wattage	120V	208V	240V	277V	357V	480V
1L	9 W	0.08	0.04	0.04	0.03	0.03	0.02
2L	19 W	0.16	0.09	0.08	0.07	0.05	0.04
3L	27 W	0.24	0.14	0.12	0.11	0.08	0.06
4L	29 W	0.23	0.13	0.11	0.10	0.08	0.06
5L	39 W	0.32	0.19	0.16	0.14	0.11	0.08
5L	37 W	0.31	0.18	0.15	0.13	0.10	0.08
8L	55 W	0.46	0.26	0.23	0.20	0.15	0.11
10L	80 W	0.66	0.38	0.33	0.29	0.22	0.17
10L	78 W	0.65	0.37	0.32	0.28	0.22	0.16
13L	98 W	0.82	0.47	0.41	0.35	0.27	0.20
16L	117 W	0.98	0.56	0.49	0.42	0.33	0.24

<sup>1</sup>Electrical data at 25C (77F). Actual wattage may differ by +/-10%. <sup>2</sup>Predictive Data, Subject to change per compliance testing completion



# OPEN FACE WALL PACK - OWM/OWL

## LED WALL PACK

### SPECIFICATIONS

#### CONSTRUCTION

The OW Series Wall Packs feature a rugged die-cast aluminum housing available in 3 different sizes for a fully scalable solution. The fully gasketed housing is IP65 rated for whole luminaire ingress protection against moisture and environmental contaminants. The OW Series is protected with a durable bronze polyester powder coat finish to withstand extreme weather changes without cracking or peeling (Consult factory for availability of alternate finishes). Salt Spray tested for 500 hrs.

#### ELECTRICAL

Class 1 High-performance drivers features over-voltage, under-voltage, short circuit and over temperature protection. 0-10V dimming (10% - 100%) standard. Standard Universal Voltage (120-277 Vac) Input 50/60 Hz or optional High Voltage (277-480 Vac). L70 >100,000 hrs. in accordance with IESNA TM-21-19 projected values at 25°C Ambient temperature. Total harmonic distortion: <20%. Power factor: >0.90. Input power stays constant over life. Minimum 6kV surge rating meets a minimum Category C Low operation (per ANSI/IEEE C62.41.2). Additional protection is available in 10kV and 20kV options. Battery backup & cold weather battery options provide 90 minutes of constant power to the LED system, ensuring code compliance.

#### INSTALLATION

The OW Series Wall Pack is designed for effortless installation to standard 3 1/2" to 4" round/octagonal, 4" square, single gang, masonry junction boxes or vertical surface mounting (secured by lag bolts (supplied by others)). 1/2" NPT conduit entry points allow for surface-conduit or thru-branch wiring. Back box is an authorized electrical wiring compartment. Integral CCT selector allows for CCT tuning at time of installation.

#### OPTICS

The isolated IP65 rated silicone gasket sealed optical chamber utilizes a tempered borosilicate prismatic glass lens to provide exceptional coverage in a T4 forward throw distribution. CCT selectable via an integral CCT selector switch (3000K, 4000K, & 5000K). Minimum CRI of 70. Optional Hood/Glare shield for semi-cutoff Type 4 distribution.

#### THERMAL

The OW Series features an array of High-efficacy mid-power LED's mounted on a metal core circuit board. The LED boards are mounted directly to the cast aluminum housing with heat dissipating fins to provide excellent thermal performance extending the life of electronic components. Operating Ambient Temperature: -40°C to +45°C (-40°F to 113°F). Operating temperature for standard battery backup: 0°C to +45°C (+32°F to +113°F), Cold Weather battery backup: -20°C to +45°C (-4°F to +113°F).

#### CONTROLS

Three 1/2" NPT apertures allow for field or factory installed 120-277V universal electronic photocell.

#### CERTIFICATIONS

ETL Listed for wet locations. Tested in accordance with IESNA LM-79 and LM-80 standards. RoHS Compliant. IP65 rated Luminaire per IEC 60598. IP65 rated optical chamber. DesignLights Consortium® (DLC) Premium qualified product. Not all versions of this product may be DLC Premium qualified. Please check the DLC Qualified Products List at [www.designlights.org/QPL](http://www.designlights.org/QPL) to confirm which versions are qualified.

#### WARRANTY

5 Year Warranty Standard; 10 Year Warranty Optional ([Terms and Conditions apply](#)).

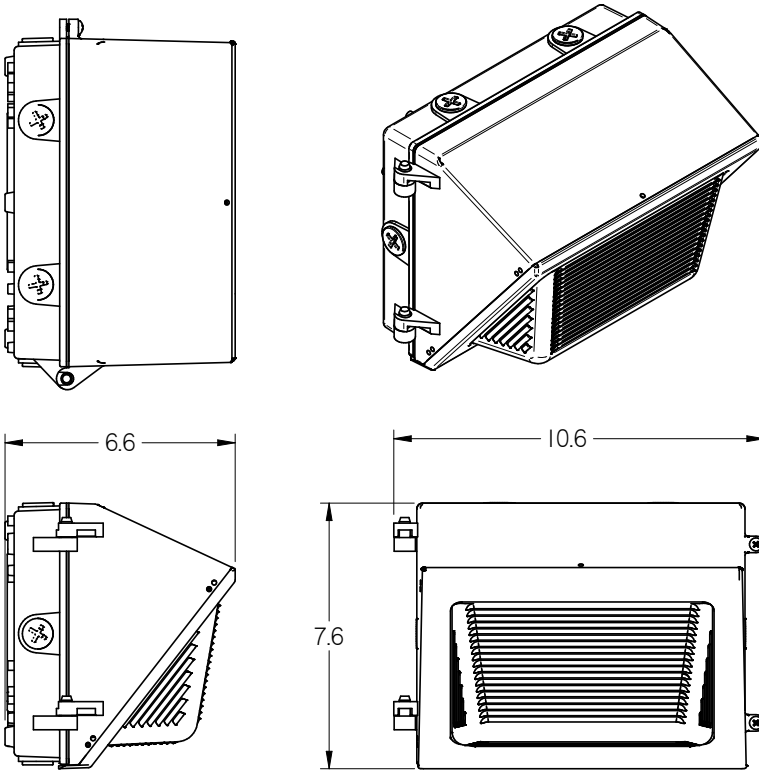


# OPEN FACE WALL PACK - OWM/OWL

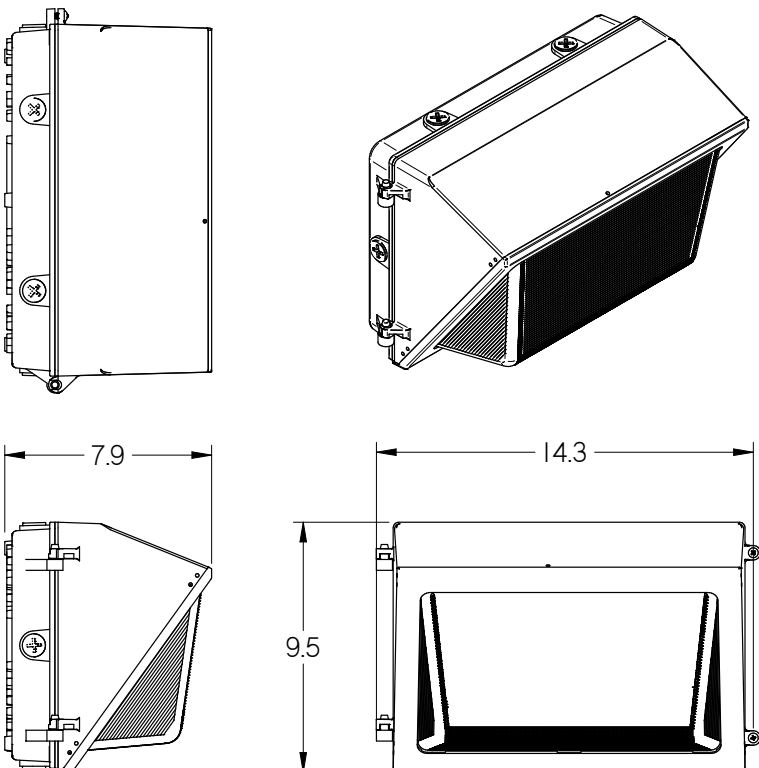
## LED WALL PACK

### LINE DRAWINGS

#### OWM



#### OWL





# OPEN FACE WALL PACK - OWM/OWL

## LED WALL PACK

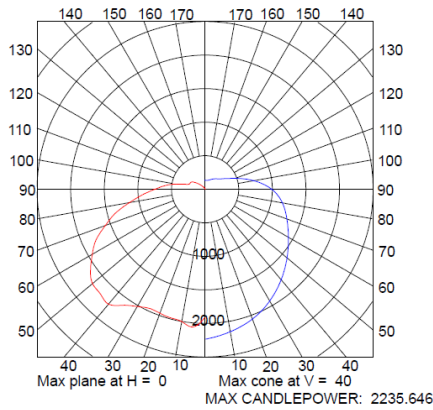
### PHOTOMETRIC DATA

#### OWM-3L5L-U-CCTs-BRZ

##### SUMMARY DATA

HEMISPHERES TESTED:	BOTH
EFFICIENCY (Total):	100%
EFFICIENCY (Down / Up):	91.7 % / 8.3 %
EFFICIENCY (Street / House):	84.4 % / 15.6 %
ROADWAY CLASSIFICATION:	TYPE IV, VERY SHORT
CUTOFF CLASSIFICATION:	NONCUTOFF
LUMENS/LAMPS:	5230.86
NO. OF LAMPS:	1
Width:	0.00 (Meters)
Length:	0.00
Height:	0.00
INPUT WATTS:	39.748

##### CANDELA PLOT



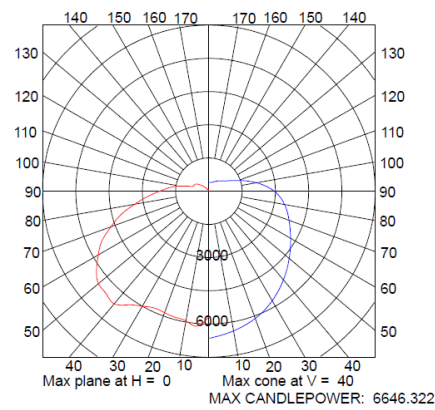
Photometric values based upon tests performed in compliance w/ LM-79. Download IES files at [www.ilp-inc.com](http://www.ilp-inc.com)

#### OWL-10L13L16L-U-CCTs-BRZ

##### SUMMARY DATA

HEMISPHERES TESTED:	BOTH
EFFICIENCY (Total):	100%
EFFICIENCY (Down / Up):	91.7 % / 8.3 %
EFFICIENCY (Street / House):	84.4 % / 15.6 %
ROADWAY CLASSIFICATION:	TYPE IV, VERY SHORT
CUTOFF CLASSIFICATION:	NONCUTOFF
LUMENS/LAMPS:	15546.79
NO. OF LAMPS:	1
Width:	0.00 (Meters)
Length:	0.00
Height:	0.00
INPUT WATTS:	118.62

##### CANDELA PLOT



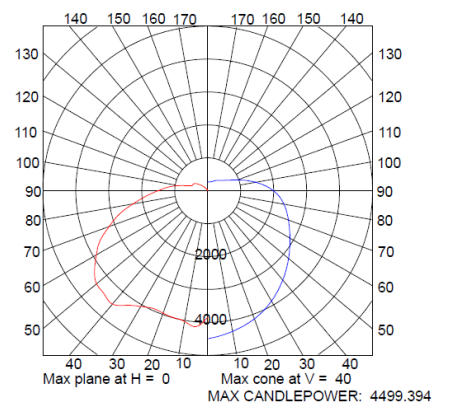
Photometric values based upon tests performed in compliance w/ LM-79. Download IES files at [www.ilp-inc.com](http://www.ilp-inc.com)

#### OWL-5L8L10L-U-CCTs-BRZ

##### SUMMARY DATA

HEMISPHERES TESTED:	BOTH
EFFICIENCY (Total):	100%
EFFICIENCY (Down / Up):	91.7 % / 8.3 %
EFFICIENCY (Street / House):	84.4 % / 15.6 %
ROADWAY CLASSIFICATION:	TYPE IV, VERY SHORT
CUTOFF CLASSIFICATION:	NONCUTOFF
LUMENS/LAMPS:	10527.47
NO. OF LAMPS:	1
Width:	0.00 (Meters)
Length:	0.00
Height:	0.00
INPUT WATTS:	80.16

##### CANDELA PLOT



Photometric values based upon tests performed in compliance w/ LM-79. Download IES files at [www.ilp-inc.com](http://www.ilp-inc.com)