

**HZB****HAZARDOUS LOCATION VAPOR TIGHT HIGH BAY**407-478-3759
www.ilp-inc.com**FEATURES**

- Robust Hazardous Location Wide Body Vapor Tight High Bay
- Class 1 Div 2 Groups A, B, C & D
- Class 1 Zone 2 Groups IIA, IIB+ H2, IIC
- UL844 Hazardous
- Industry Leading Max Ambient up to 140°F
- Ambient Range -40°F to 140°F (Select Models)
- Extremely High Efficacy up to 168 lm/W
- 2ft & 4ft Fixture Lengths
- Lumen Packages Ranging 12,000–40,000
- Wide & Best in Class Narrow Distribution Optics
- Surface, Pendant, or Suspended Mounting Options
- IK10 Impact Rated Lens
- Fiberglass Body Attributes
 - T4 Housing Ignition Temperature Rated
 - F1 Weatherability Rating, 5VA Flame Rating & 1500 PSI High Pressure Hosedown
 - IP65, IP66, IP67, & IP69 (2ft Only), NEMA4X, NSF
- 3000K–5000K CCT
- >80 Color Rendering Index (CRI)
- Calculated L70 >100,000 Hours
- 0-10V Dimmable Driver (100%-10%)
- 5 Year Warranty
- ETL Listed for Wet Locations
- DesignLights Consortium® Premium Qualified Luminaire

**ASSOCIATED PRODUCTS**
HZV Hazardous Vapor Tight**NEMA4X****CLASS 1 DIV 2**
GROUPS A, B, C, D**SUITABLE APPLICATIONS**

- Chemical Processing Facilities
- Industrial & Manufacturing Facilities
- Wastewater & Water Treatment Facilities
- Coolers & Freezers
- Ethanol & Petroleum Refineries
- Power Generation Facilities
- Food & Beverage Preparation

ORDERING GUIDE:

SERIES	LUMENS (select one)	DRIVER	CCT	LENS OPTIONS	DISTRIBUTION	TEMPERATURE ²
HZB2 2ft Hazardous Vapor Tight High Bay	12L	U 120-277V	50	CAL Clear Acrylic	BLANK Wide Distribution	BLANK Standard Ambient Temp
	24L	HV 347-480V	40	FRAL Frosted Acrylic	ND Narrow Distribution	HT ¹¹ High Ambient Temp
			35	PCL Clear Polycarbonate		
HZB4 4ft Hazardous Vapor Tight High Bay	12L		30	PFL ¹ Frosted Polycarbonate		
	18L					
	24L		40L			

OPTIONS		MOUNTING OPTIONS	
Factory Installed		Basic	
SS	Stainless Steel Latches - standard on BL4	HZB-RMBSS ^{5,9,10}	HZB Rigid Mounting Beam for Surface or Dual Pendant Mounting
EM10 ^{3,11,12}	10W Factory Installed Battery Backup	HZB2-RCMBKSS ^{6,9,10}	HZB2 Center Bracket for Single Point Mounting
TPS	Tamper Proof Screws Installed	HZB4-RCMBKSS ^{6,9,10}	HZB4 Center Bracket for Single Point Mounting
CORDW/xFT ¹³	Wet-location rated cord installed (xFT = Length)	SMB KIT HZB	Surface Mount V-Clip Brackets
CORDW/6FT/5WIRE ¹³	Wet-location rated 6ft 5-wire cord w/ 1 ground, 2 power, and 2 dimming leads	HZ-HUB 1/2 ⁷	Conduit Hub ½" For Dual Pendant Mount Only
EMH1	½" Hub installed on one end of housing for power entry	HZ-HUB 3/4 ^{8,10}	Conduit Hub ¾" For Single Pendant Mount Only
EMH2 ⁴	½" Hub installed on both ends of housing for power entry	HB-XX-18Y-PAD	Y-Toggle Cable System (xx = in)

¹Reference DLC Website for current listing²Reference High Ambient Temperature Ratings by lumen package on page 3³Operating temp down to 32°F⁴Cannot be used with power cord⁵Must be used w/ (2) HUB 1/2 if dual pendant mounting⁶Use w/ HZB-RMBSS & HUB 3/4 if single pendant mounting⁷Must be used w/ RMBSS for dual pendant mounting⁸Must be used w/ HZB-RMBSS & HZB-RCMBKSS if single pendant mounting⁹Does not qualify for NSF standards¹⁰Not available for pendant mounting in Canada¹¹Cannot be combined with the HV option¹²Option reduces fixture max ambient temperature¹³Not available with Plug; consult factory for demo model with plug

HAZARDOUS LOCATION VAPOR TIGHT HIGH BAY

SYSTEMS INFO ¹	3000K		3500K		4000K		5000K		Watts ²	CRI	Replaces
	Part Numbers	Lumens	Efficacy	Lumens	Efficacy	Lumens	Efficacy	Lumens			
HZB2-12L-U-XX-CAL	12,062 lm	150 lm/W	12,465 lm	155 lm/W	12,887 lm	160 lm/W	13,150 lm	164 lm/W	80W	>80	250W MH, 4T8
HZB2-12L-U-XX-CAL-ND	11,493 lm	142 lm/W	11,877 lm	147 lm/W	12,279 lm	152 lm/W	12,530 lm	155 lm/W	81W		
HZB2-12L-U-XX-FRAL	11,869 lm	148 lm/W	12,124 lm	151 lm/W	12,534 lm	156 lm/W	12,790 lm	159 lm/W	80W		
HZB2-12L-U-XX-FRAL-ND	11,271 lm	139 lm/W	11,422 lm	142 lm/W	11,809 lm	146 lm/W	12,050 lm	149 lm/W	81W		
HZB2-12L-U-XX-PCL	11,980 lm	149 lm/W	12,238 lm	152 lm/W	12,652 lm	157 lm/W	12,910 lm	161 lm/W	80W		
HZB2-12L-U-XX-PCL-ND	11,387 lm	141 lm/W	11,540 lm	143 lm/W	11,930 lm	148 lm/W	12,120 lm	150 lm/W	81W		
HZB2-18L-U-XX-CAL	17,960 lm	147 lm/W	18,560 lm	152 lm/W	19,188 lm	157 lm/W	19,580 lm	160 lm/W	122W	>80	400W MH, 4T5HO, 6T8
HZB2-18L-U-XX-CAL-ND	16,997 lm	140 lm/W	17,565 lm	145 lm/W	18,159 lm	150 lm/W	18,530 lm	153 lm/W	121W		
HZB2-18L-U-XX-FRAL	17,364 lm	142 lm/W	17,944 lm	147 lm/W	18,551 lm	152 lm/W	18,930 lm	155 lm/W	122W		
HZB2-18L-U-XX-FRAL-ND	16,410 lm	135 lm/W	16,958 lm	140 lm/W	17,532 lm	144 lm/W	17,890 lm	147 lm/W	122W		
HZB2-18L-U-XX-PCL	17,478 lm	143 lm/W	18,063 lm	148 lm/W	18,674 lm	153 lm/W	19,055 lm	156 lm/W	122W		
HZB2-18L-U-XX-PCL-ND	16,538 lm	135 lm/W	17,091 lm	140 lm/W	17,669 lm	145 lm/W	18,030 lm	148 lm/W	122W		
HZB2-24L-U-XX-CAL	23,060 lm	145 lm/W	23,831 lm	150 lm/W	24,637 lm	155 lm/W	25,140 lm	158 lm/W	159W	>80	400W MH, 6T5HO
HZB2-24L-U-XX-CAL-ND	22,611 lm	143 lm/W	23,366 lm	148 lm/W	24,157 lm	153 lm/W	24,650 lm	156 lm/W	158W		
HZB2-24L-U-XX-FRAL	22,822 lm	144 lm/W	23,584 lm	149 lm/W	24,382 lm	154 lm/W	24,880 lm	157 lm/W	159W		
HZB2-24L-U-XX-FRAL-ND	21,717 lm	138 lm/W	22,123 lm	140 lm/W	22,569 lm	143 lm/W	23,030 lm	146 lm/W	158W		
HZB2-24L-U-XX-PCL	23,053 lm	145 lm/W	23,824 lm	150 lm/W	24,630 lm	155 lm/W	24,681 lm	158 lm/W	159W		
HZB2-24L-U-XX-PCL-ND	22,077 lm	139 lm/W	22,697 lm	143 lm/W	23,465 lm	148 lm/W	23,944 lm	151 lm/W	159W		
HZB4-12L-U-XX-CAL	12,145 lm	154 lm/W	12,550 lm	159 lm/W	12,975 lm	165 lm/W	13,240 lm	168 lm/W	79W	>80	250W MH, 4T8
HZB4-12L-U-XX-CAL-ND	11,997 lm	152 lm/W	12,398 lm	157 lm/W	12,818 lm	163 lm/W	13,079 lm	166 lm/W	79W		
HZB4-12L-U-XX-FRAL	11,787 lm	149 lm/W	12,181 lm	155 lm/W	12,593 lm	160 lm/W	12,850 lm	163 lm/W	79W		
HZB4-12L-U-XX-FRAL-ND	11,156 lm	141 lm/W	11,529 lm	146 lm/W	11,919 lm	151 lm/W	12,162 lm	154 lm/W	79W		
HZB4-12L-U-XX-PCL	11,989 lm	152 lm/W	12,389 lm	157 lm/W	12,809 lm	163 lm/W	13,070 lm	166 lm/W	79W		
HZB4-12L-U-XX-PCL-ND	11,802 lm	150 lm/W	12,196 lm	155 lm/W	12,609 lm	160 lm/W	12,866 lm	163 lm/W	79W		
HZB4-18L-U-XX-CAL	19,308 lm	148 lm/W	19,954 lm	153 lm/W	20,629 lm	158 lm/W	21,050 lm	161 lm/W	131W	>80	400W MH, 4T5HO, 6T8
HZB4-18L-U-XX-CAL-ND	18,841 lm	146 lm/W	19,470 lm	151 lm/W	20,129 lm	156 lm/W	20,540 lm	159 lm/W	129W		
HZB4-18L-U-XX-FRAL	18,740 lm	143 lm/W	19,366 lm	148 lm/W	20,021 lm	153 lm/W	20,430 lm	156 lm/W	131W		
HZB4-18L-U-XX-FRAL-ND	17,520 lm	136 lm/W	18,105 lm	140 lm/W	18,718 lm	145 lm/W	19,100 lm	148 lm/W	129W		
HZB4-18L-U-XX-PCL	19,061 lm	146 lm/W	19,698 lm	151 lm/W	20,364 lm	156 lm/W	20,780 lm	159 lm/W	131W		
HZB4-18L-U-XX-PCL-ND	18,520 lm	143 lm/W	19,138 lm	148 lm/W	19,786 lm	153 lm/W	20,190 lm	157 lm/W	129W		
HZB4-24L-U-XX-CAL	23,977 lm	151 lm/W	24,779 lm	156 lm/W	25,617 lm	162 lm/W	26,140 lm	165 lm/W	159W	>80	400W MH, 6T5HO
HZB4-24L-U-XX-CAL-ND	23,686 lm	149 lm/W	24,478 lm	154 lm/W	25,306 lm	160 lm/W	25,823 lm	163 lm/W	159W		
HZB4-24L-U-XX-FRAL	23,271 lm	147 lm/W	24,049 lm	152 lm/W	24,863 lm	157 lm/W	25,370 lm	160 lm/W	159W		
HZB4-24L-U-XX-FRAL-ND	22,026 lm	139 lm/W	22,762 lm	144 lm/W	23,532 lm	148 lm/W	24,012 lm	151 lm/W	159W		
HZB4-24L-U-XX-PCL	23,670 lm	149 lm/W	24,461 lm	154 lm/W	25,289 lm	159 lm/W	25,805 lm	163 lm/W	159W		
HZB4-24L-U-XX-PCL-ND	23,301 lm	147 lm/W	24,079 lm	152 lm/W	24,894 lm	157 lm/W	25,402 lm	160 lm/W	159W		
HZB4-30L-U-XX-CAL	31,618 lm	151 lm/W	32,675 lm	156 lm/W	33,781 lm	162 lm/W	34,470 lm	165 lm/W	209W	>80	575W MH, 10T8, 8T5HO
HZB4-30L-U-XX-CAL-ND	28,105 lm	135 lm/W	29,044 lm	140 lm/W	30,027 lm	144 lm/W	30,640 lm	147 lm/W	208W		
HZB4-30L-U-XX-FRAL	31,068 lm	148 lm/W	32,106 lm	154 lm/W	33,193 lm	159 lm/W	33,870 lm	162 lm/W	209W		
HZB4-30L-U-XX-FRAL-ND	29,196 lm	140 lm/W	30,172 lm	145 lm/W	31,193 lm	150 lm/W	31,830 lm	153 lm/W	208W		
HZB4-30L-U-XX-PCL	31,213 lm	149 lm/W	32,256 lm	154 lm/W	33,347 lm	160 lm/W	34,028 lm	163 lm/W	209W		
HZB4-30L-U-XX-PCL-ND	30,726 lm	147 lm/W	31,753 lm	152 lm/W	32,827 lm	157 lm/W	33,497 lm	160 lm/W	209W		
HZB4-36L-U-XX-CAL	35,874 lm	149 lm/W	37,073 lm	154 lm/W	38,328 lm	159 lm/W	39,110 lm	162 lm/W	241W	>80	750W MH, 10T8, 8T5HO
HZB4-36L-U-XX-CAL-ND	33,563 lm	140 lm/W	34,684 lm	145 lm/W	35,858 lm	150 lm/W	36,590 lm	153 lm/W	240W		
HZB4-36L-U-XX-FRAL	34,562 lm	143 lm/W	35,718 lm	148 lm/W	36,926 lm	153 lm/W	37,680 lm	156 lm/W	241W		
HZB4-36L-U-XX-FRAL-ND	32,334 lm	135 lm/W	33,414 lm	139 lm/W	34,545 lm	144 lm/W	35,250 lm	147 lm/W	240W		
HZB4-36L-U-XX-PCL	35,414 lm	147 lm/W	36,597 lm	152 lm/W	37,836 lm	157 lm/W	38,608 lm	159 lm/W	241W		
HZB4-36L-U-XX-PCL-ND	34,862 lm	145 lm/W	36,027 lm	150 lm/W	37,246 lm	155 lm/W	38,007 lm	159 lm/W	241W		
HZB4-40L-U-XX-CAL	38,929 lm	153 lm/W	40,230 lm	158 lm/W	41,591 lm	164 lm/W	42,440 lm	167 lm/W	254W	>80	1000W MH, 12T8, 10T5HO
HZB4-40L-U-XX-CAL-ND	37,195 lm	146 lm/W	38,438 lm	151 lm/W	39,739 lm	156 lm/W	40,550 lm	159 lm/W	255W		
HZB4-40L-U-XX-FRAL	38,066 lm	150 lm/W	39,339 lm	155 lm/W	40,670 lm	160 lm/W	41,500 lm	164 lm/W	254W		
HZB4-40L-U-XX-FRAL-ND	35,608 lm	139 lm/W	36,798 lm	144 lm/W	38,044 lm	149 lm/W	38,820 lm	152 lm/W	255W		
HZB4-40L-U-XX-PCL	38,232 lm	150 lm/W	39,509 lm	155 lm/W	40,846 lm	160 lm/W	41,680 lm	163 lm/W	254W		
HZB4-40L-U-XX-PCL-ND	37,636 lm	147 lm/W	38,893 lm	152 lm/W	40,210 lm	158 lm/W	41,030 lm	161 lm/W	254W		

¹Values are nominal, see IES file for more detail

²Electrical data at 25C (77F). Actual wattage may differ by +/-10%.

*Please refer to the DLC Qualified Products List at www.Designlights.org/QPL to confirm specific product qualifications.

HZB

HAZARDOUS LOCATION VAPOR TIGHT HIGH BAY

AMBIENT TEMPERATURE RANGE

Part Numbers	Suspended (18 in.)		Surface Mount	
	Standard	High-Temp	Standard	High-Temp
HZB2-12L-U-XX-CAL	122°F	131°F	113°F	122°F
HZB2-18L-U-XX-CAL	113°F	122°F	104°F	113°F
HZB2-24L-U-XX-CAL	104°F	113°F	90°F	99°F
HZB4-12L-U-XX-CAL	131°F	140°F	122°F	131°F
HZB4-18L-U-XX-CAL	131°F	140°F	122°F	131°F
HZB4-24L-U-XX-CAL	125°F	131°F	114°F	120°F
HZB4-30L-U-XX-CAL	122°F	131°F	111°F	120°F
HZB4-36L-U-XX-CAL	122°F	131°F	111°F	120°F
HZB4-40L-U-XX-CAL	113°F	122°F	102°F	111°F

SPECIFICATIONS

CONSTRUCTION

Injection molded one piece 5VA rated fiberglass body with chemical resistant finish for rigidity, durability and prolonged life in rough environments. F1 weatherability and 1500 PSI hosedown rated housing. T4 Housing Ignition Temperature Rated. Toolless hinged removable gear tray for quick and easy access to electrical. Captive latches fastened to housing to safely secure lens to housing. Designed to achieve maximum performance and improved aesthetics.

ELECTRICAL

Class 2 LED light engine for high efficacy and long life. Calculated L70 > 100,000hrs. LED Lumen Maintenance Estimates based on TM-21 projections for the light source at 25°C ambient. Power Factor > 0.90. Standard 120-277 Vac 0-10V dimmable (10%-100%) with optional 347V-480Vac High Voltage Driver. 6kV Surge Protection Standard. Optional emergency battery backup available to meet critical life safety lighting requirements. Fixture reduced maximum ambient for emergency battery backup.

INSTALLATION

Designed for a variety of mounting applications including surface, single and dual pendant, and suspended. Pre-drilled holes on each side of fixture for electrical access and wiring. Holes plugged from factory with rubber IP rated seal. 1/2" HUBs available for threaded power entry from both ends. Toolless hinged removable gear tray for quick and easy access to electrical.

WARRANTY

5 Year Warranty (Terms and Conditions apply)

OPTICS

Robust injection molded and impact resistant PMMA lens options for durability and LED glare reduction. Standard Clear Acrylic and optional Frosted Acrylic, Clear & Frosted Polycarbonate lens options available. All lens options are IK10 rated; highest impact rating available. Field removeable lens for easy access to LED boards, drivers & maintenance.

THERMAL

Ambient temperature range -40°F up to 140°F (-40°C to 60°C) on select models with high ambient temperature options. Fixture to be mounted at a minimum plenum height of 18" for suspended mounting. Reduced maximum ambient for surface mounting. Reference High Ambient Temperature Ratings by lumen package on page (3) for more detail.

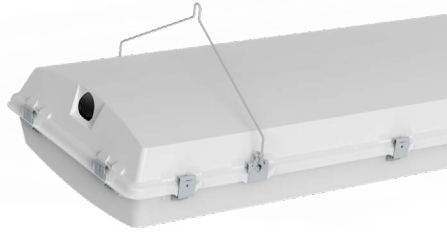
CERTIFICATIONS

ETL Listed to US and Canadian safety standards. Suitable for Wet Locations. American Recovery and Reinvestment Act Funding Compliant. BAA Compliant. Hazardous Location Class 1 Division 2, Groups A, B, C, D. Class 1 Zone 2 Groups IIA, IIB + H2, IIC. UL844 Hazardous. IP65, IP66, IP67, & IP69 Rated. NSF Listed. NEMA 4X Rated. 1500 PSI Hosedown Rated. DLC Premium Listed Product, Not all versions of this product may be DLC Premium qualified. Please check the DLC Qualified Products List at www.designlights.org/QPL to confirm which versions are qualified..

HZB

HAZARDOUS LOCATION VAPOR TIGHT HIGH BAY

MOUNTING OPTIONS



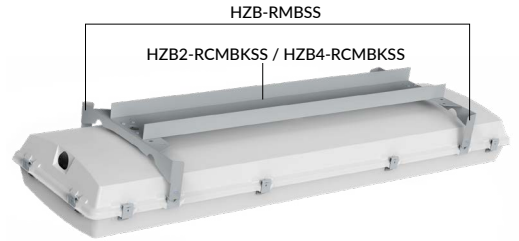
V-HOOKS

Provided standard for dual point chain or cable hanging



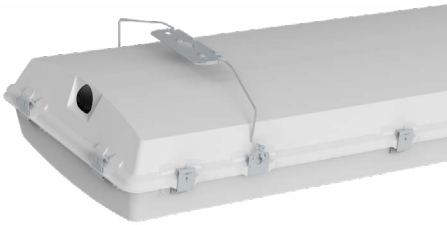
HZB-RMBSS

Stainless Steel Rigid Mounting Beam for secure surface mounting or dual pendant mounting. (Two 1/2" Conduit Hubs required for dual pendant mounting, sold separately)



HZB2-RCMBKSS / HZB4-RCMBKSS

Stainless Steel Rigid Mounting Bracket for Single Point Mounting. Must be used in combination of HZB-RMBSS and HZ-HUB 3/4 (One 3/4" Conduit Hub required for single point mounting, sold separately)



SMB KIT HZB

Surface Mount V-Clip Brackets provides a 2" space above the fixture



HB-XXX-18Y-PAD

Includes 2 adjustable cable hangers. Available in 60", 120", 180" & 240"



HZ-HUB 1/2 & HZ-HUB 3/4

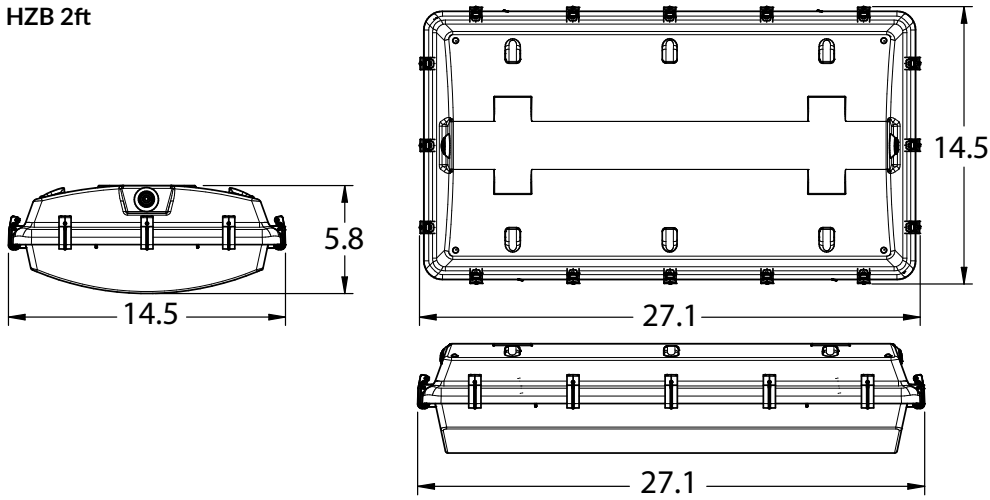
HZ-HUB 1/2 - 1/2" Conduit Hub for Dual Pendant Mounting. Requires use of HZB-RMBSS.
HZ-HUB 3/4 - 3/4" Conduit Hub for Single Pendant Mounting. Requires use of HZB-RCMBKSS and HZB-RMBSS.

HZB

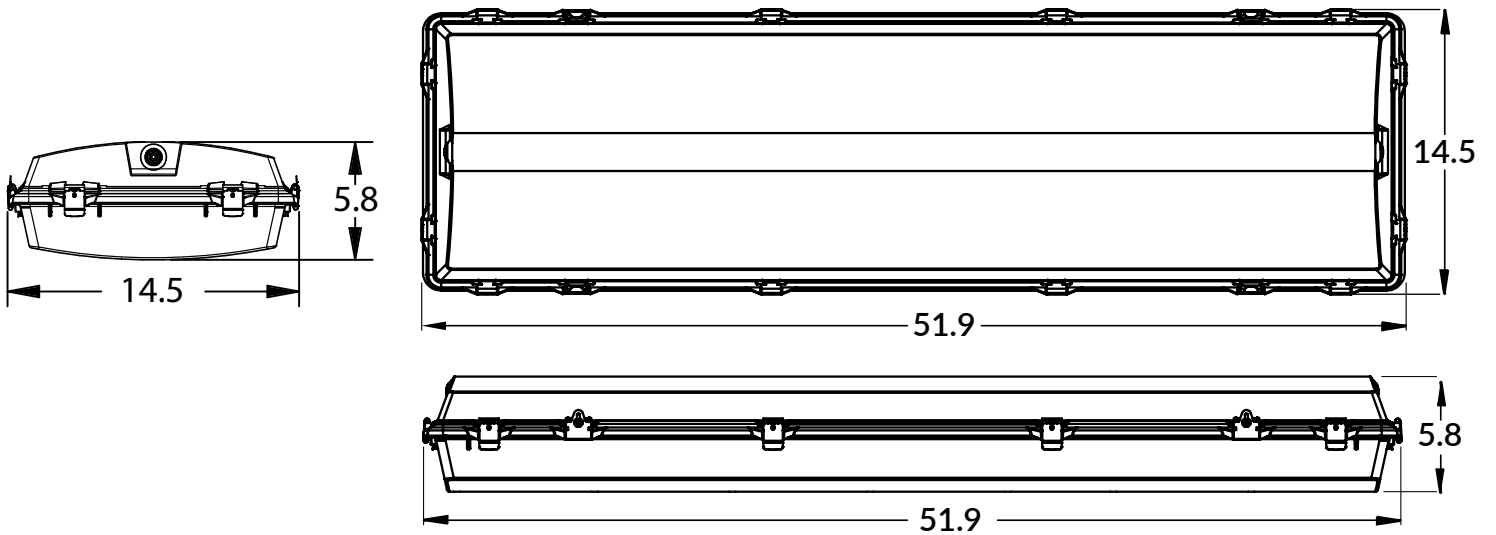
HAZARDOUS LOCATION VAPOR TIGHT HIGH BAY

LINE DRAWING

HZB 2ft



HZB 4ft



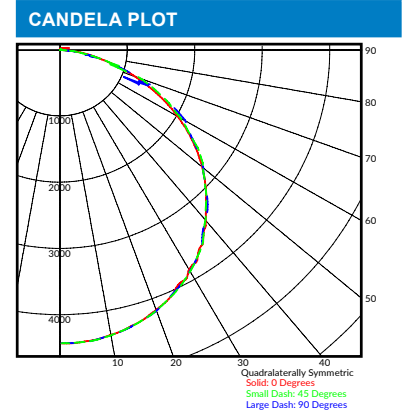
HZB

HAZARDOUS LOCATION VAPOR TIGHT HIGH BAY

PHOTOMETRIC DATA

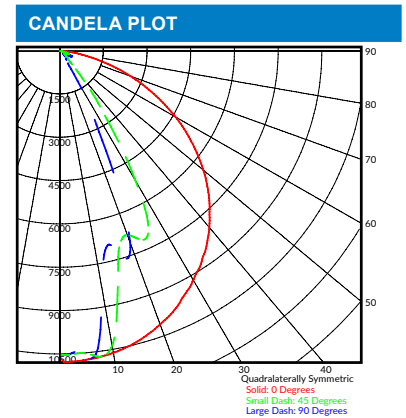
LUMINAIRE DATA	
Part Number	HZB2-12L-U-50-CAL
Description	2ft Hazardous Location Vapor Tight High Bay, 13,000 Lumens, Clear Acrylic Lens
Fixture Lumens (lm)	13,144 lm
Wattage (W)	80 W
Efficacy (lm/W)	164 lm/W
Mounting	Suspended
Spacing Criteria	0° = 1.30, 90° = 1.29

ZONAL LUMEN SUMMARY		
Zone	Lumens (lm)	% Fixture
0° - 40°	5,787	44%
0° - 60°	10,345	79%
0° - 90°	13,060	99%
90° - 180°	84	0%
0° - 180°	13,144	100%



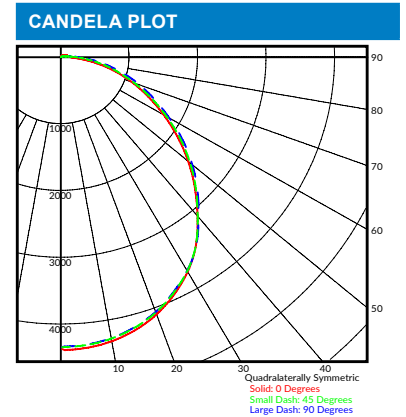
LUMINAIRE DATA	
Part Number	HZB2-12L-U-50-CAL-ND
Description	2ft Hazardous Location Vapor Tight High Bay, 13,000 Lumens, Clear Acrylic Lens with Narrow Distribution
Fixture Lumens (lm)	12,223 lm
Wattage (W)	80 W
Efficacy (lm/W)	152 lm/W
Mounting	Suspended
Spacing Criteria	0° = 1.29, 90° = 0.77

ZONAL LUMEN SUMMARY		
Zone	Lumens (lm)	% Fixture
0° - 40°	8,549	70%
0° - 60°	11,158	91%
0° - 90°	12,223	100%
90° - 180°	0	0%
0° - 180°	12,223	100%



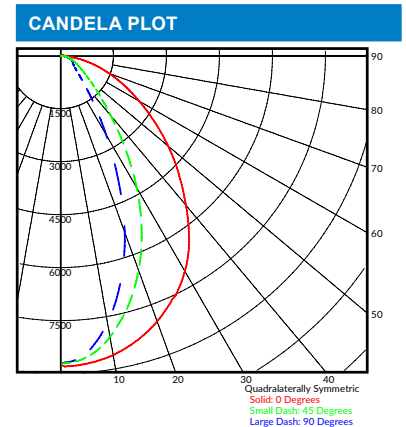
LUMINAIRE DATA	
Part Number	HZB2-12L-U-50-FRAL
Description	2ft Hazardous Location Vapor Tight High Bay, 13,000 Lumens, Frosted Acrylic Lens
Fixture Lumens (lm)	12,790 lm
Wattage (W)	80 W
Efficacy (lm/W)	159 lm/W
Mounting	Suspended
Spacing Criteria	0° = 1.26, 90° = 1.26

ZONAL LUMEN SUMMARY		
Zone	Lumens (lm)	% Fixture
0° - 40°	5,555	44%
0° - 60°	9,641	75%
0° - 90°	12,492	98%
90° - 180°	292	2%
0° - 180°	12,790	100%



LUMINAIRE DATA	
Part Number	HZB2-12L-U-50-FRAL-ND
Description	2ft Hazardous Location Vapor Tight High Bay, 13,000 Lumens, Frosted Acrylic Lens with Narrow Distribution
Fixture Lumens (lm)	12,050 lm
Wattage (W)	81 W
Efficacy (lm/W)	149 lm/W
Mounting	Suspended
Spacing Criteria	0° = 1.20, 90° = 0.74

ZONAL LUMEN SUMMARY		
Zone	Lumens (lm)	% Fixture
0° - 40°	7,685	64%
0° - 60°	10,466	88%
0° - 90°	11,820	99%
90° - 180°	129	1%
0° - 180°	11,949	100%



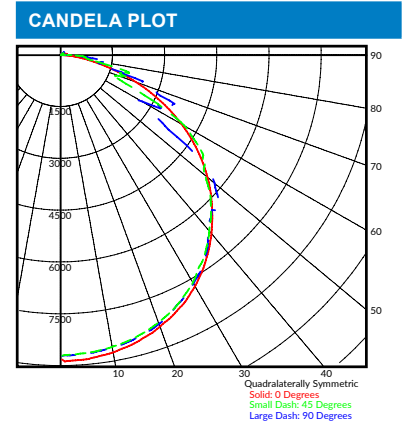
HZB

HAZARDOUS LOCATION VAPOR TIGHT HIGH BAY

PHOTOMETRIC DATA

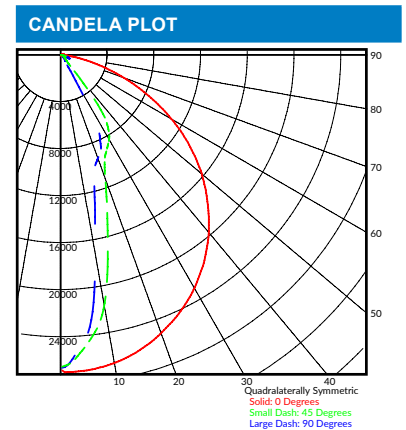
LUMINAIRE DATA	
Part Number	HZB4-24L-U-50-CAL
Description	4ft Hazardous Location Vapor Tight High Bay, 26,000 Lumens, Clear Acrylic Lens
Fixture Lumens (lm)	26,140 lm
Wattage (W)	159 W
Efficacy (lm/W)	165 lm/W
Mounting	Suspended
Spacing Criteria	0° = 1.30, 90° = 1.29

ZONAL LUMEN SUMMARY		
Zone	Lumens (lm)	% Fixture
0° - 40°	11,449	44%
0° - 60°	20,380	78%
0° - 90°	25,728	98%
90° - 180°	409	2%
0° - 180°	26,138	100%



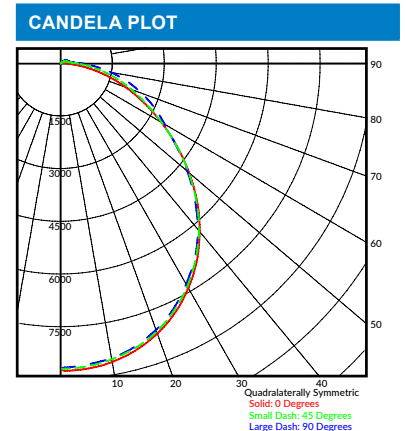
LUMINAIRE DATA	
Part Number	HZB4-24L-U-50-CAL-ND
Description	4ft Hazardous Location Vapor Tight High Bay, 26,000 Lumens, Clear Acrylic Lens with Narrow Distribution
Fixture Lumens (lm)	25,823 lm
Wattage (W)	159 W
Efficacy (lm/W)	163 lm/W
Mounting	Suspended
Spacing Criteria	0° = 1.28, 90° = 0.43

ZONAL LUMEN SUMMARY		
Zone	Lumens (lm)	% Fixture
0° - 40°	17,123	69%
0° - 60°	22,460	91%
0° - 90°	24,693	100%
90° - 180°	106	0%
0° - 180°	25,823	100%



LUMINAIRE DATA	
Part Number	HZB4-24L-U-50-FRAL
Description	4ft Hazardous Location Vapor Tight High Bay, 26,000 Lumens, Frosted Acrylic Lens
Fixture Lumens (lm)	25,370 lm
Wattage (W)	159 W
Efficacy (lm/W)	160 lm/W
Mounting	Suspended
Spacing Criteria	0° = 1.26, 90° = 1.24

ZONAL LUMEN SUMMARY		
Zone	Lumens (lm)	% Fixture
0° - 40°	11,050	44%
0° - 60°	19,024	75%
0° - 90°	24,505	97%
90° - 180°	865	3%
0° - 180°	25,370	100%



LUMINAIRE DATA	
Part Number	HZB4-24L-U-50-FRAL-ND
Description	4ft Hazardous Location Vapor Tight High Bay, 26,000 Lumens, Frosted Acrylic Lens with Narrow Distribution
Fixture Lumens (lm)	24,012 lm
Wattage (W)	159 W
Efficacy (lm/W)	151 lm/W
Mounting	Suspended
Spacing Criteria	0° = 1.19, 90° = 0.64

ZONAL LUMEN SUMMARY		
Zone	Lumens (lm)	% Fixture
0° - 40°	15,438	65%
0° - 60°	20,960	88%
0° - 90°	23,485	99%
90° - 180°	269	1%
0° - 180°	24,012	100%

