

Project Name:	Part Number:	Type:
---------------	--------------	-------



SQUARE CANOPY

LED CANOPY/PARKING GARAGE



407-478-3759
www.ilp-inc.com

FEATURES

- Rugged low-profile die-cast aluminum housing
- UV stabilized and impact resistant polycarbonate lenses
- Up to 3% uplight eliminates cave effect
- Quick mounting plate with hook on feature allow for easy installation
- Three 1/2" coin plugs on sides for conduit or photocell
- 4000K or 5000K Color Temperature; Consult Factory for Alternate CCTs
- >80 Color Rendering Index (CRI)
- 0-10V Dimmable Driver to 10%
- IP65 Rated Luminaire
- 120-277V Universal Voltage or 347-480V High Voltage
- Optional Microwave sensor for 360° occupancy detection
- Optional Universal Pencil Photocell
- 5 Year Warranty (std); 10 Year Warranty Optional
- UL Listed for Wet Locations
- DesignLights Consortium® Premium Qualified Luminaire



Diffuse Medium Lens



Parking Garage Wide Lens



SUITABLE APPLICATIONS

- Walkways
- Building Perimeter/Security Lighting
- Loading docks
- Entrances
- Stairways
- Car Ports
- Parking Garages

ORDERING GUIDE:

SERIES	LUMENS	DRIVER	CCT	LENS	FINISH	WARRANTY
CP Square Canopy	3L	U 120-277V	50 ¹⁰	BLANK Diffuse Medium	BLANK Bronze	BLANK 5 Year
	5L	HV 347-480V	40	PG Parking Garage Wide	WHT ⁵ White	10YR ^{3,4} 10 Year
	7L				BLK ¹ Black	
	9L					

OPTIONS		CONTROLS OPTIONS	
Factory Installed		Factory Installed	
CORD/6FT¹¹	6ft 3-Conductor cord without a plug (120V-277V)	MWS²	360° Microwave Motion Sensor (120-277V)
CORD/10FT¹¹	10ft 3-Conductor cord without a plug (120V-277V)	USBD/Ly^{9,11}	Drop Nipple Mount user Select Bi-Level Dim Sensor - Bluetooth (y= Mounting Height 2=8' or 3=20')
SP1^{2,6,11}	10KA Max Univolt Surge Protector	BDxx/Ly¹¹	Drop Nipple Mount preset Bi-Level Dim Sensor (xx=% ex: 20,30) (y= Mounting Height 2=8' or 3=20')
SP2^{2,6,11}	22KA Max Univolt Surge Protector	BDxxPC/Ly¹¹	preset Bi-Level Dim Sensor w/ photocell (xx=% ex: 20,30) (y= Mounting Height 2=8' or 3=20')
SP480V^{2,11}	20kA Max 480V Surge Protector	WLOS/Ly¹¹	Drop Nipple Mount PIR Occupancy Sensor (y= Mounting Height 2=8' or 3=20')
FUSE/SXXX¹¹	Fuse - Single-line Voltage (120, 277 or 347) - Contact Factory		
FUSE/DXXX¹¹	Fuse - Dual-line Voltage (208V, 240V or 480V) - Contact Factory		
FI/ILBCP05^{2,8,11}	Remote 5W 120-277V Battery backup		
FI/ILBCP07^{2,8,11}	Remote 7W 120-277V Battery backup		
FI/ILBCP10^{2,8,11}	Remote 10W 120-277V Battery backup		
FI/ILBCP12^{2,8,11}	Remote 12W 120-277V Battery backup		
LEDBBCT^{2,8,11}	Remote 14W 120-277V CT Battery backup (-4°-80°F)		
LEDBBCT7^{2,8,11}	Remote 7W 120-277V CT Battery backup (-4°-80°F)		

Ships with Accessories		Ships with Accessories	
CP-BP-xxx	14x14 Beauty Plate Kit (xxx=BRZ, BLK, WHT, SLV)	PCU^{2,7}	Electronic UNIV Photocell (120-277V)

¹Bronze/White finish standard. Consult factory for pricing & availability of other finishes; subject to longer lead-times.
²Not Available with HV Driver Options
³Contact Factory for more details
⁴Requires additional surge protection (SP1,SP2, SP480V2); For additional details see general terms and conditions
⁵Available in 3L, 5L, & 7L lumen packages & 4000K only. For alternates CCT or lumen packages consult factory for pricing and availability.

⁶SP1/SP2 specified in combination with Battery Backups, separate surge protectors are required per electrical line
⁷Not Available with MWS Driver Options
⁸Remote driver box required, see page 3 for more information. Not available in pendant mount.
⁹Requires bluetooth enabled device for programming (provided by others)
¹⁰Not available in 3L
¹¹Does not qualify for DLC for all options except - MWS, PCU, WHT, and BLK



QUICK SHIP ITEMS:

SERIES	LUMENS	DRIVER	CCT	FINISH
CP Square Canopy	3L	U 120-277V	50 ²	BLANK Bronze
	5L		40	WHT ¹ White
	7L			
	9L			

SQUARE CANOPY

LED CANOPY/PARKING GARAGE

LED SYSTEMS INFORMATION ¹		4000K			5000K			Watts ²	Replaces
Part Numbers	Lens	Lumens	Efficacy	DLC	Lumens	Efficacy	DLC		
CP-3L	BLANK	3,674 lm	130 lm/W	PRM	3,744 lm	133 lm/W	PRM	28W	100W
CP-5L	BLANK	5,067 lm	128 lm/W	PRM	5,162 lm	130 lm/W	PRM	40W	150W
CP-7L	BLANK	7,638 lm	129 lm/W	PRM	7,792 lm	132 lm/W	PRM	59W	175W
CP-9L	BLANK	8,451 lm	129 lm/W	PRM	8,616 lm	132 lm/W	PRM	65W	250W
CP-3L	PG	3,779 lm	135 lm/W	PRM	3,816 lm	136 lm/W	PRM	28W	100W
CP-5L	PG	5,092 lm	130 lm/W	PRM	5,255 lm	134 lm/W	PRM	40W	150W
CP-7L	PG	7,822 lm	133 lm/W	PRM	7,932 lm	135 lm/W	PRM	59W	175W
CP-9L	PG	8,744 lm	134 lm/W	PRM	8,888 lm	136 lm/W	PRM	65W	250W

¹Values are nominal, see IES file for more detail
²Electrical data at 25C (77F). Actual wattage may differ by +/-10%.

SPECIFICATIONS

CONSTRUCTION

Square Canopy luminaires feature a rugged low-profile die-cast aluminum housing with a durable Bronze or White polyester powder coat finish to withstand extreme weather changes without cracking or peeling (Consult factory for availability of alternate finishes). The UV stabilized and impact resistant polycarbonate lenses are designed to provide maximum rigidity and optical transmissions up to 92% . The lenses seal to the housing with a one-piece gasket creating an IP65 rating for maximum ingress protection.

ELECTRICAL

High-performance driver features over-voltage, under-voltage, short-circuit and over temperature protection. 0-10V dimming (10% - 100%) standard. Standard Universal Voltage (120-277 Vac) Input 50/60 Hz or optional High Voltage (347-480 Vac). L70 >50,000 hrs. in accordance of IESNA TM-21-11 Projected values at 25°C Ambient temperature. Total harmonic distortion: <20%. Power factor: >0.90. Input power stays constant over life. Minimum 2.5kV surge rating. See page 3 for 90 min remote battery backup information.

INSTALLATION

The Square Canopy luminaires feature an integral quick surface mount bracket, eliminating the need to open the luminaire during installation to the Junction box or ceiling surface resulting in IP65 ingress protection that is effortless and secure. Three ½” conduit entry points allow for surface-conduit wiring. The CP can also be pendant mounted with ¾” pendant stems (provided by others). Fixture leads exit the back of the casting through a water-tight connector.

WARRANTY

5 Year Warranty Standard; 10 Year Warranty Optional ([Terms and Conditions apply](#)).

OPTICS

Square Canopy ships standard with a diffuse prismatic lens that virtually eliminates glare and optimizes the delivered light for maximum visual comfort. The Square Canopy is also available with an optional prismatic wide distribution lens that is designed specifically to maximize fixture spacing for parking garage applications. Available in 4000K or 5000K color temperature (CCT) per ANSI C78.377. Consult factory for availability of alternate CCTs.

THERMAL

The Square Canopy features an array of High-efficacy LED's on a metal core circuit board. The LED board is mounted directly to a cast aluminum housing with heat dissipating fins to provide excellent thermal performance extending the life of electronic components. Operating Ambient Temperature: -40°C to +40°C (-40°F to 104°F)

CONTROLS

Optional Microwave sensor available for 360 degree motion detection discretely installed behind the polycarbonate lens. The MWS is pre-configured to the unique site application requirements; See page 3 for more details. Three ½” apertures allow for field or factory installed 120-277V universal electronic photocell.

Optional Drop nipple Bluetooth PIR sensors available installed off the side of the housing. Sensors provide optional on/off control, photocell capability, bi-level dimming, and bluetooth capability allows for onsite modifications (Provided by others)

CERTIFICATIONS

UL Listed for wet locations. DesignLights Consortium® (DLC) Premium qualified product and DLC qualified product. Not all versions of this product may be DLC Premium qualified or DLC qualified. Please check the DLC Qualified Products List at www.designlights.org/QPL to confirm which versions are qualified. Title 24 Compliant with MWS option; see local ordinance for qualification information. Tested in accordance with IESNA LM-79 and LM-80 standards.

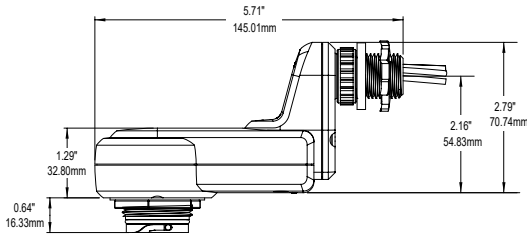
SQUARE CANOPY

LED CANOPY/PARKING GARAGE

CONTROLS OPTIONS

Drop Nipple Sensor

USBD
User Selectable Bi-Level Dimming. Allows the end user to manually select the unoccupied dimming level. Once motion is detected, the fixture will return to 100% light output. Sensor mounted off side of fixture.



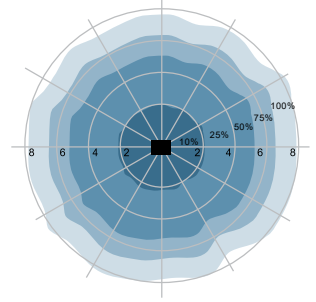
BDxx
Factory set Bi-Level Dimming. Sensor is set to dim level, as indicated in the "xx" portion of the part number, when the area is unoccupied. Example: BD20 sets the fixture to dim down to 20% lumen output when the area is unoccupied. Once motion is detected, the fixture will return to 100% light output. Sensor mounted off side of fixture.

BDxxPC
Factory set Bi-Level Dimming with motion and photocell. Sensor is set to dim level, as indicated in the "xx" portion of the part number, when the area is unoccupied and will not return to 100% light output unless 1. motion is detected and 2. the light level is below the preset level. Example: BD20PC sets the fixture to dim down to 20% lumen output when the area is unoccupied and will not return to 100% light output unless the above conditions are met for both motion and light level readings. Sensor mounted off side of fixture.

WLOS
Wet location rated occupancy sensor for on/off function only. Sensor mounted off side of fixture.

MWS Occupancy Sensor

The integral microwave occupancy sensor activates switching of luminaire light levels. The Microwave occupancy sensor is discretely installed behind the polycarbonate lens and is available for universal (120-277V) only. Standard Factory settings: High level light is activated and increased to full bright upon detection of motion. Low light level (10% maximum drive current) is activated when target zone is absent of motion activity for ~3 minutes. Detection Area: 100%. Standby Time: Disabled, Daylight Sensor: Disabled. See coverage diagram for detection cone. Consult Factory for alternate settings.



Ceiling mounting pattern (Unit: Ft)
Suggested installation height: 9 - 33ft

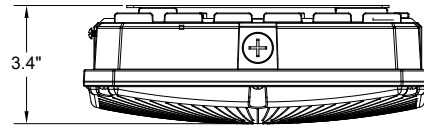
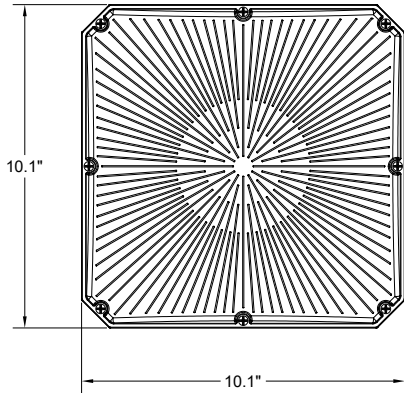
PCU

Three 1/2" apertures allow for field or factory installed 120-277V universal electronic pencil photocell.

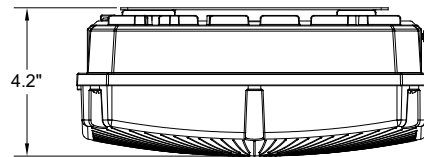
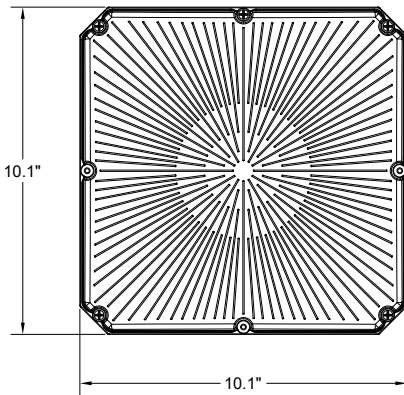


LINE DRAWINGS

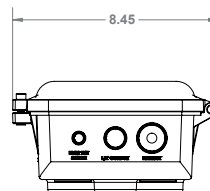
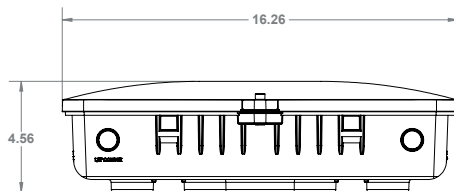
Diffuse Medium Lens



Parking Garage Wide Lens



Remote Driver Box



Only available in surface mount; Box must mount near the luminaire. The remote box is provided with a 6' power cord and a 3' liquid tight flexible conduit connects the remote box to the luminaire. Power will be ran to the remote box and will pass to the Canopy through the side knockouts.